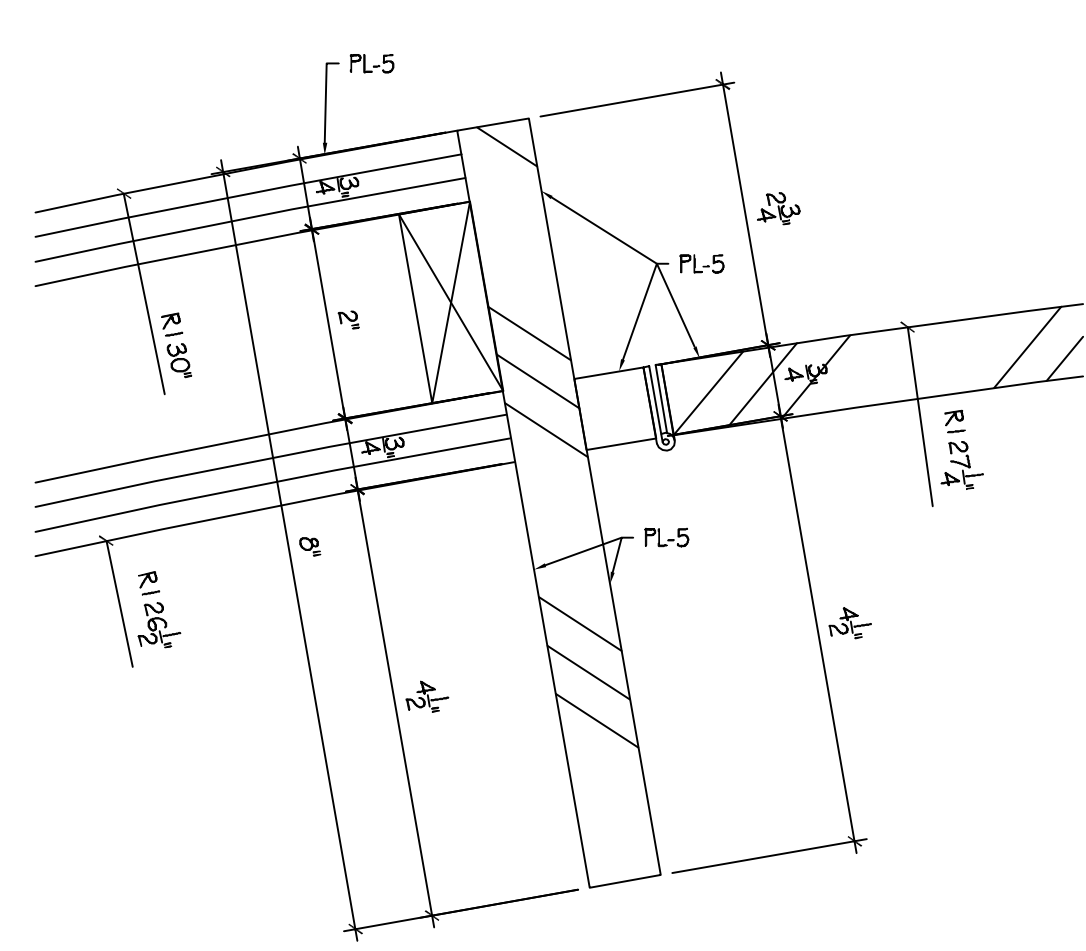
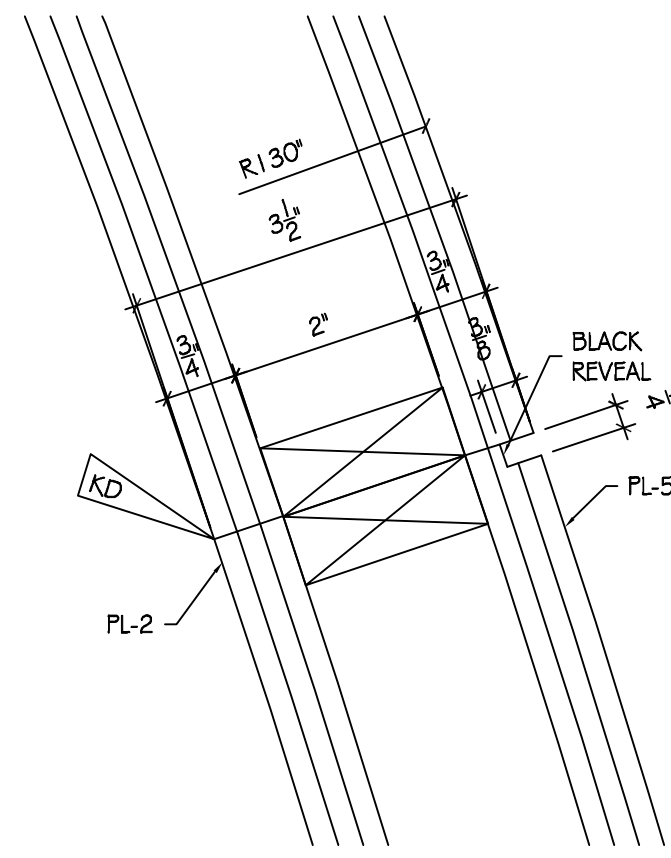


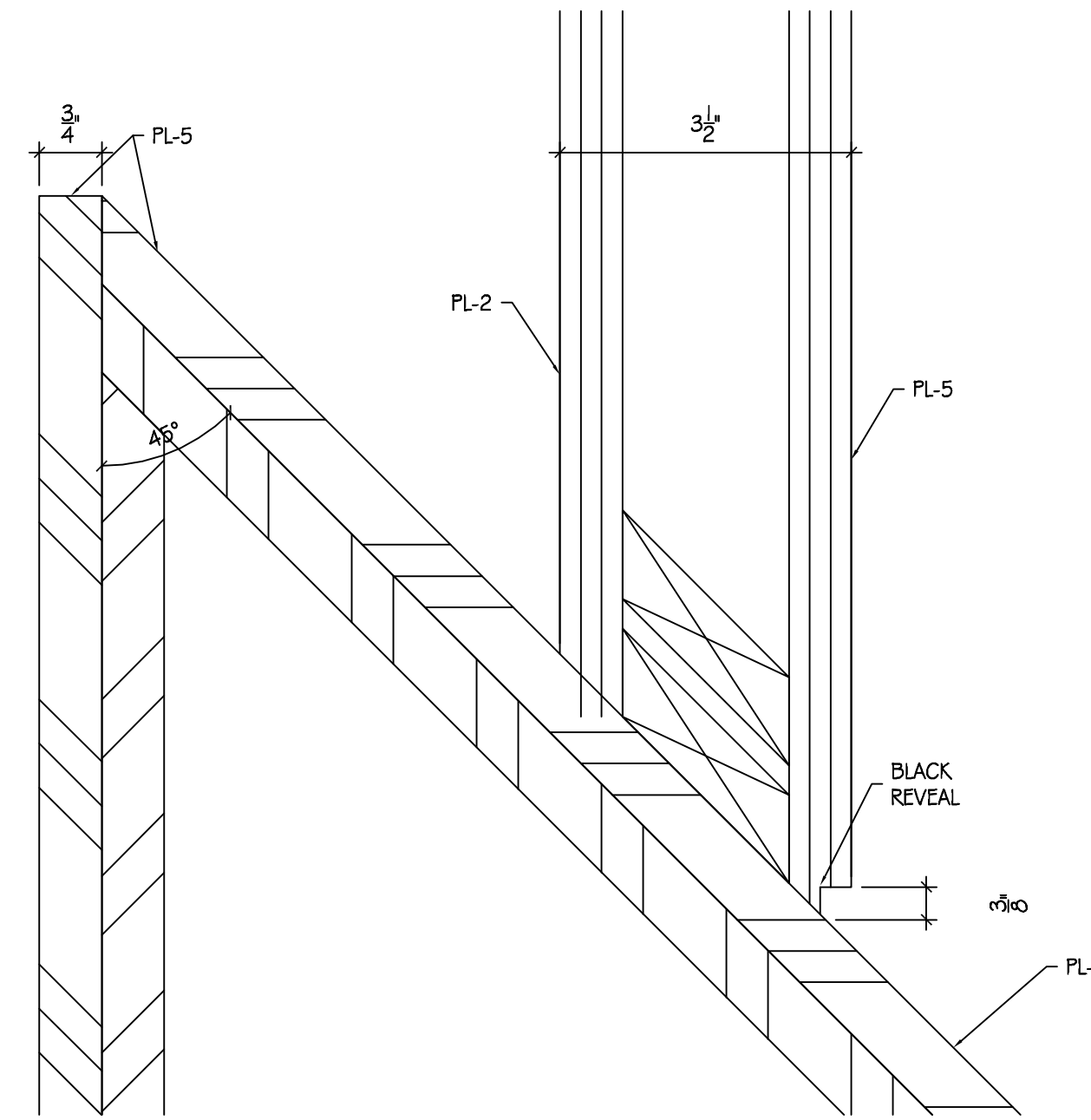
8 DETAIL
SCALE: 6" = 1'-0"
ARCH. REF: NONE



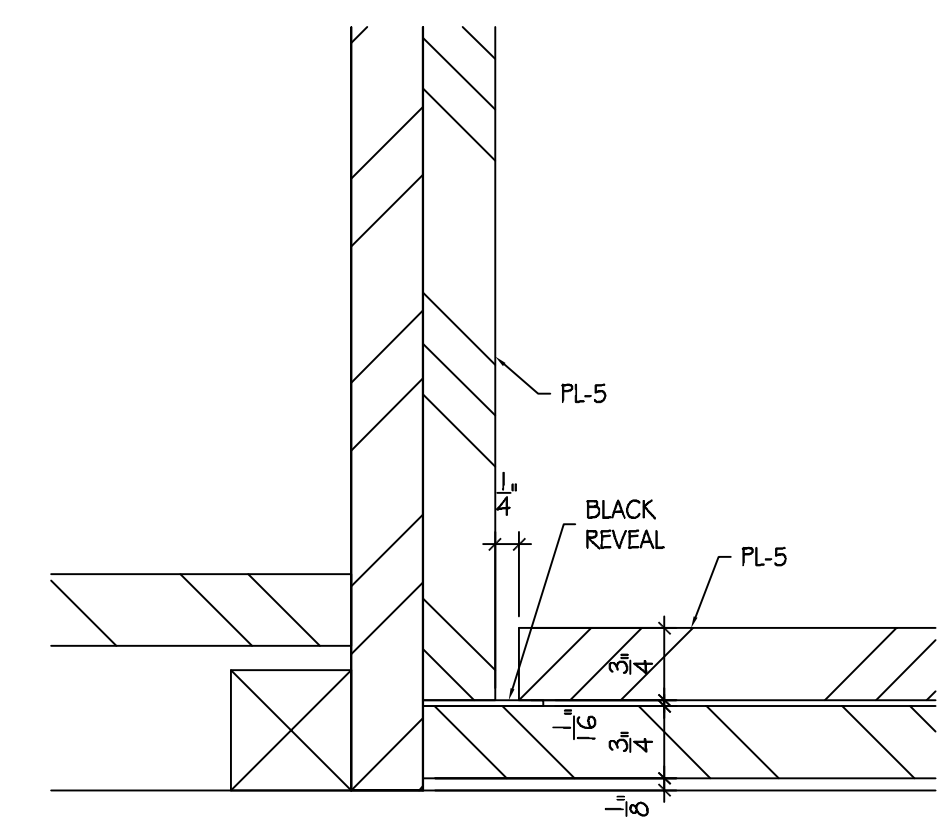
9 DETAIL
SCALE: 6" = 1'-0"
ARCH. REF: NONE



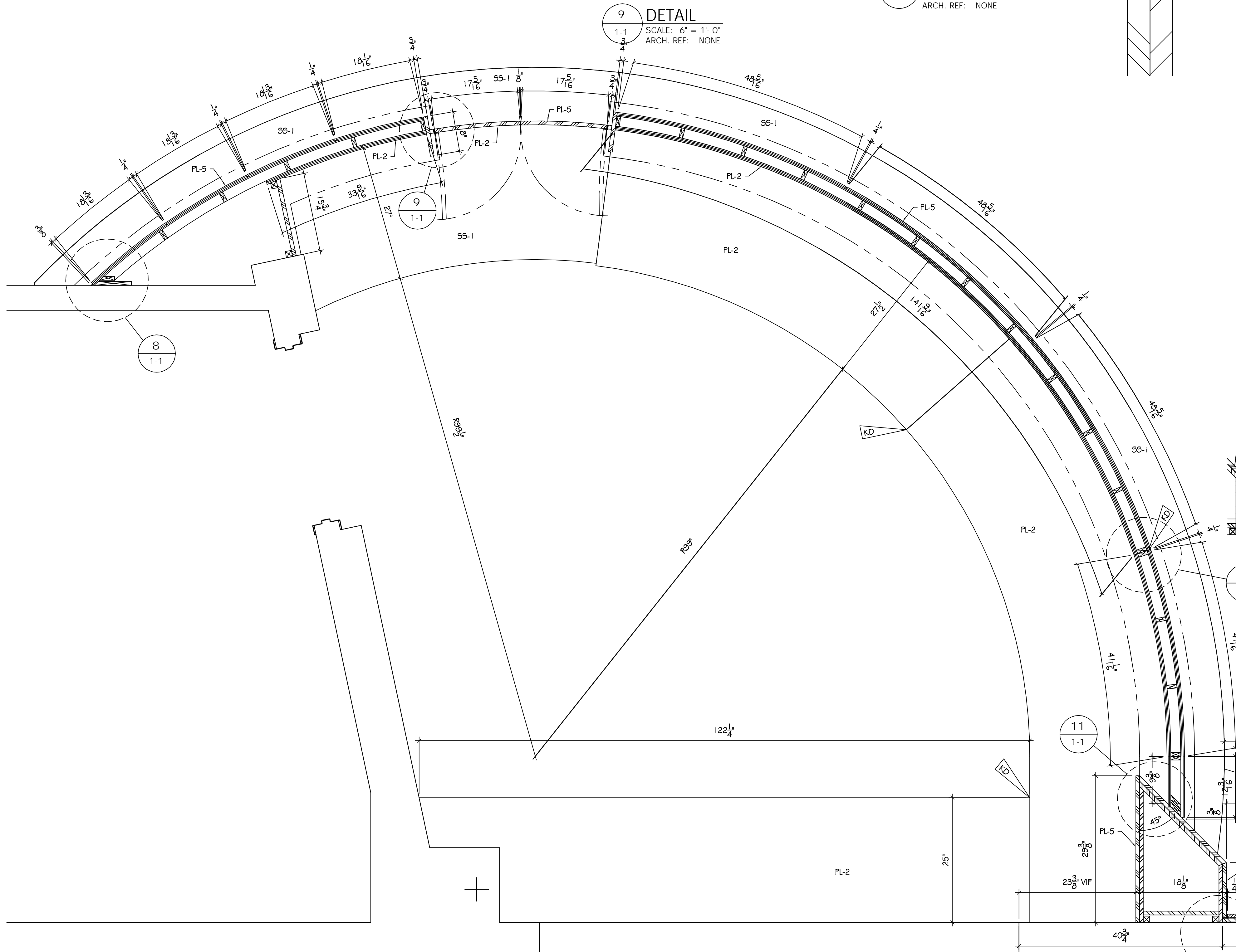
10 DETAIL
SCALE: 6" = 1'-0"
ARCH. REF: NONE



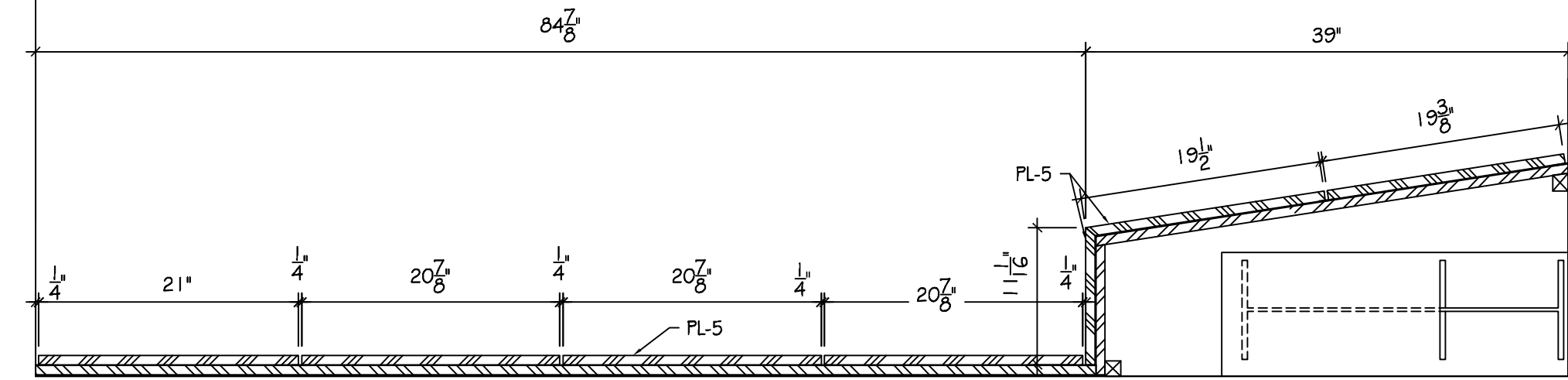
11 DETAIL
SCALE: 6" = 1'-0"
ARCH. REF: NONE



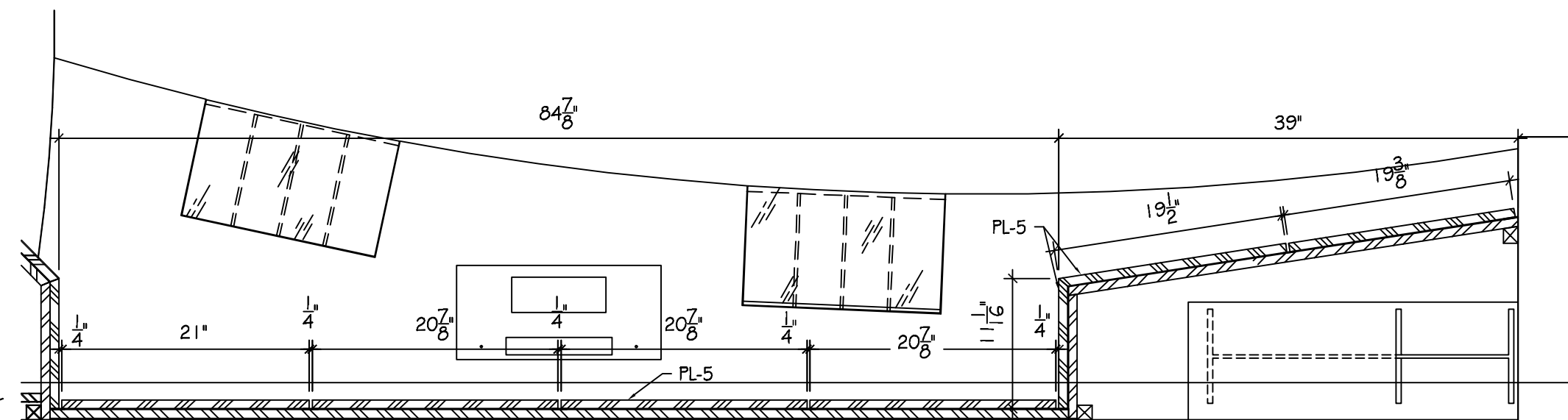
12 DETAIL
SCALE: 6" = 1'-0"
ARCH. REF: NONE



7 HORIZONTAL SECTION
SCALE: 1" = 1'-0"
ARCH. REF: NONE



7B HORIZONTAL SECTION
SCALE: 1" = 1'-0"
ARCH. REF: NONE



7A HORIZONTAL SECTION
SCALE: 1" = 1'-0"
ARCH. REF: NONE

ARCHITECT:
GENERAL CONTRACTOR:
DESIGNER:
NOTES:

REVISIONS:

SHEET TITLE:
**Teller Line
Check Writing Desk**

DRAWN BY: TM | DATE: 01/21/09
JOB: | SHEET NO.:



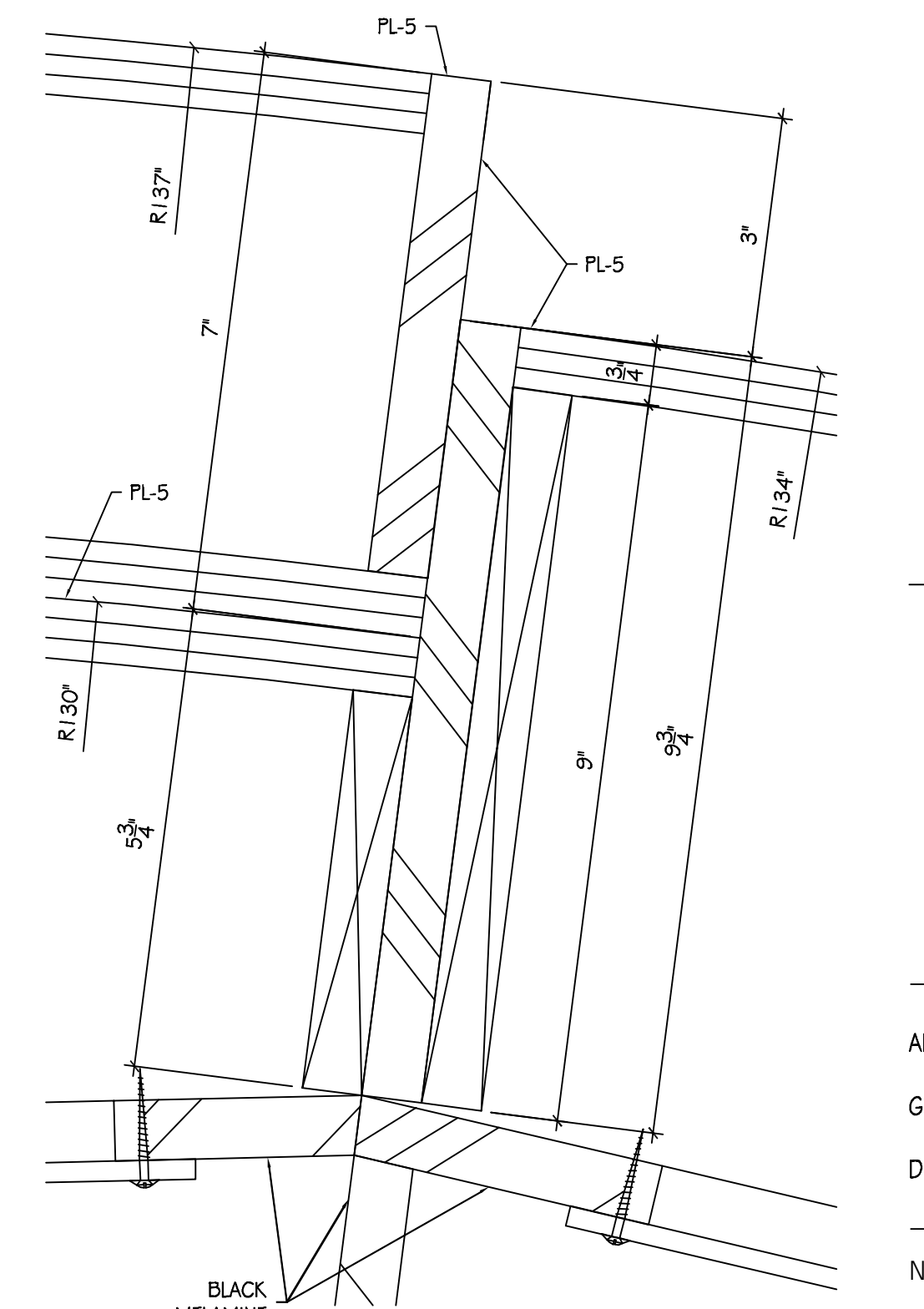


ARCHITECT:
GENERAL CONTRACTOR:
DESIGNER:
NOTES:

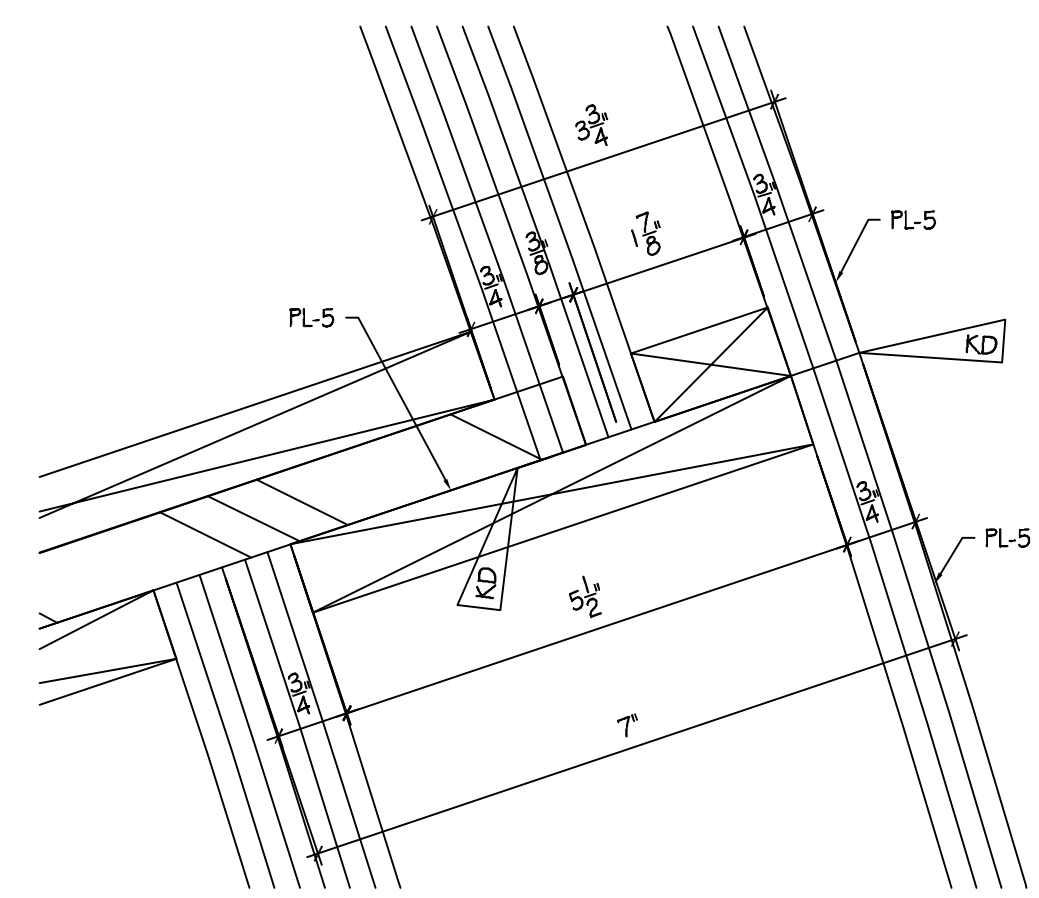
REVISIONS:

SHEET TITLE:
**Teller Line
Check Writing Desk**

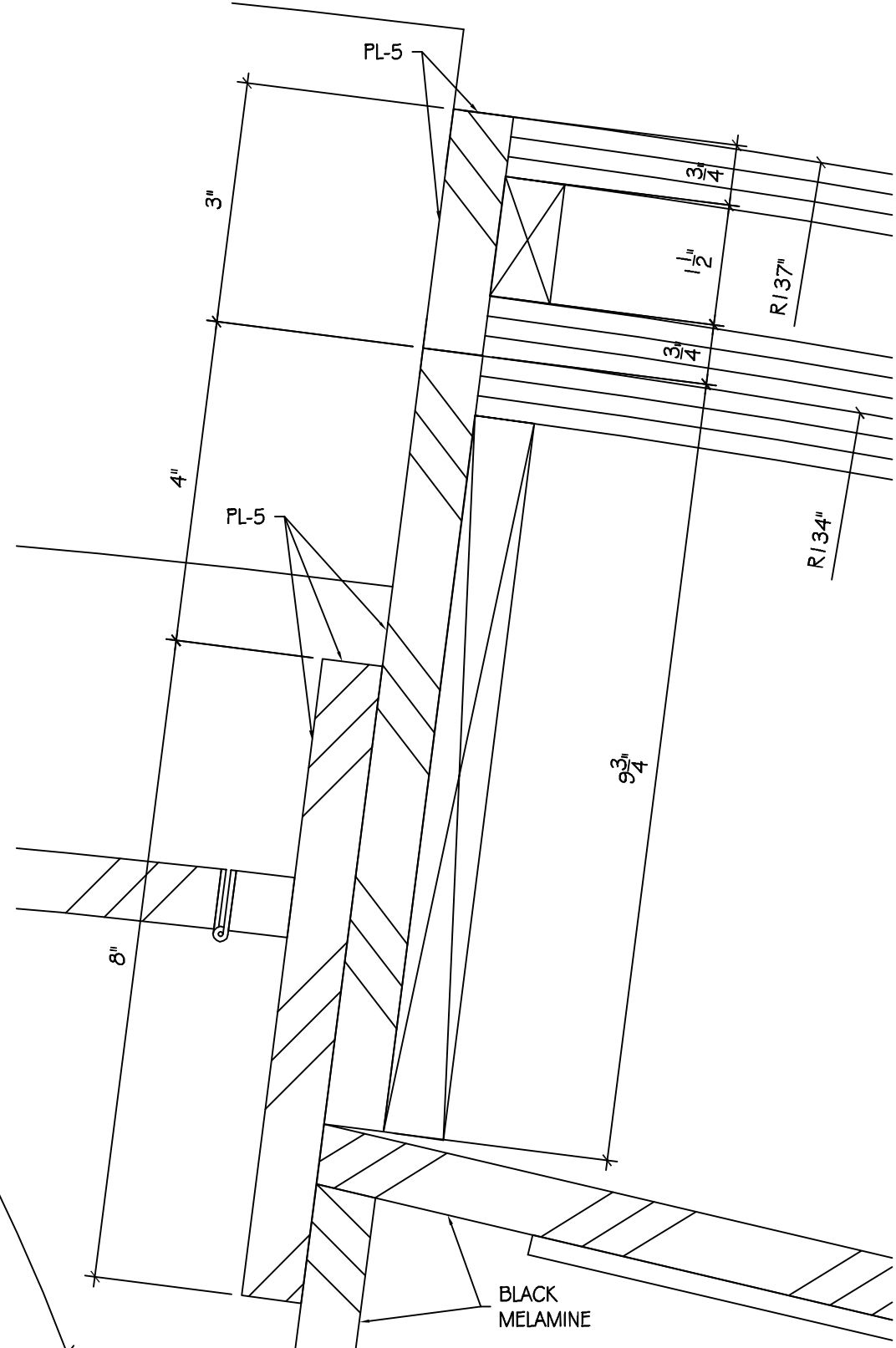
DRAWN BY: TM | DATE: 01/21/09
JOB: | SHEET NO.



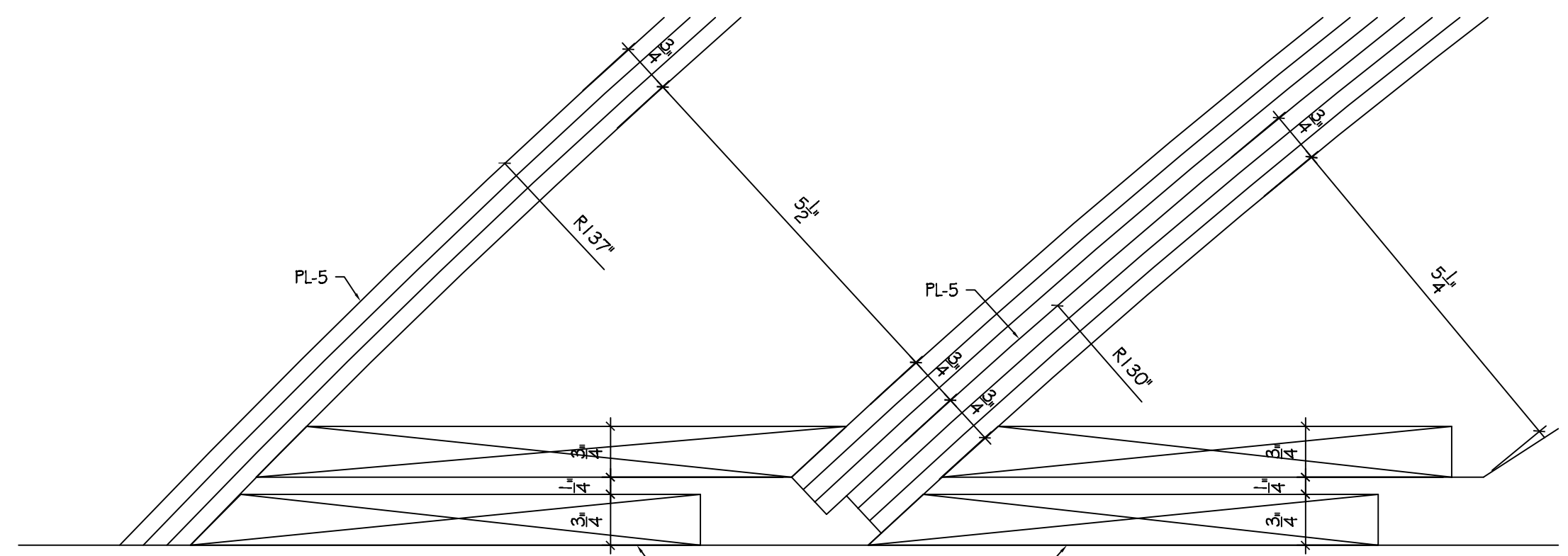
19 DETAIL
SCALE: 6" = 1'-0"
ARCH. REF: NONE



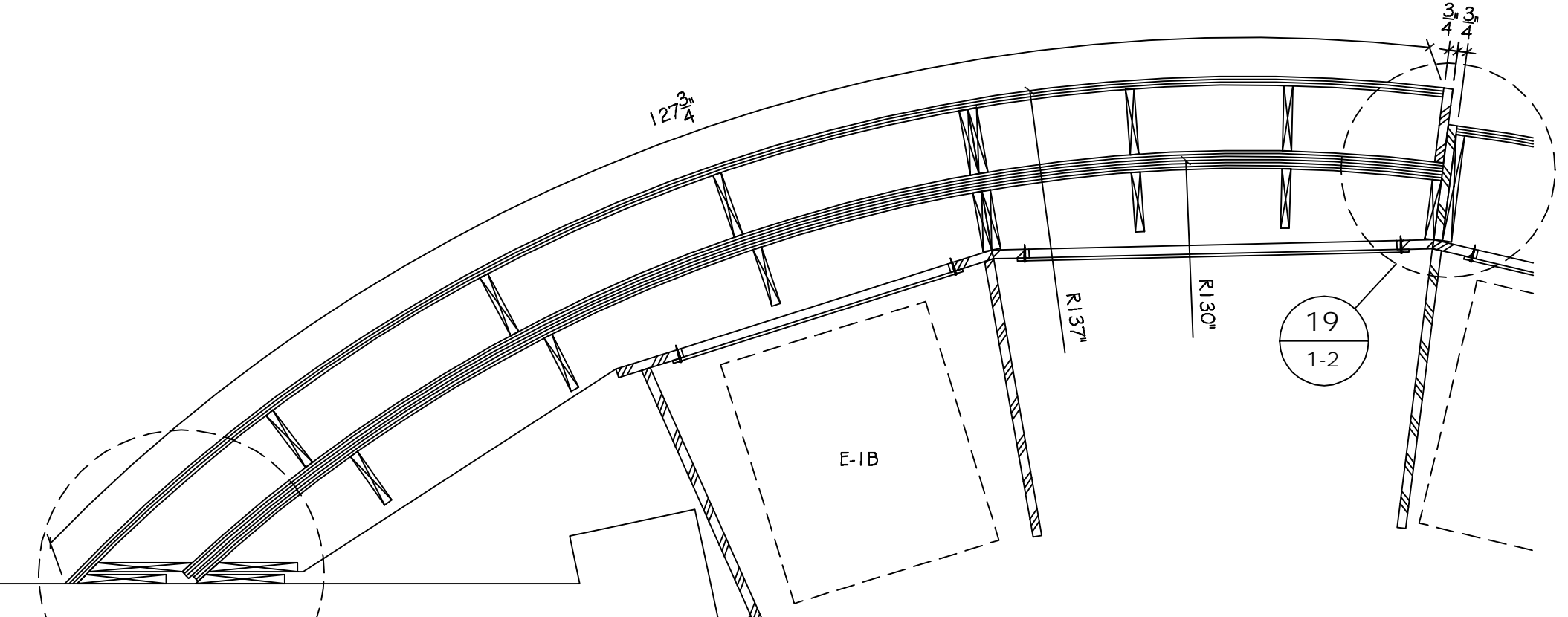
20 DETAIL
SCALE: 6" = 1'-0"
ARCH. REF: NONE



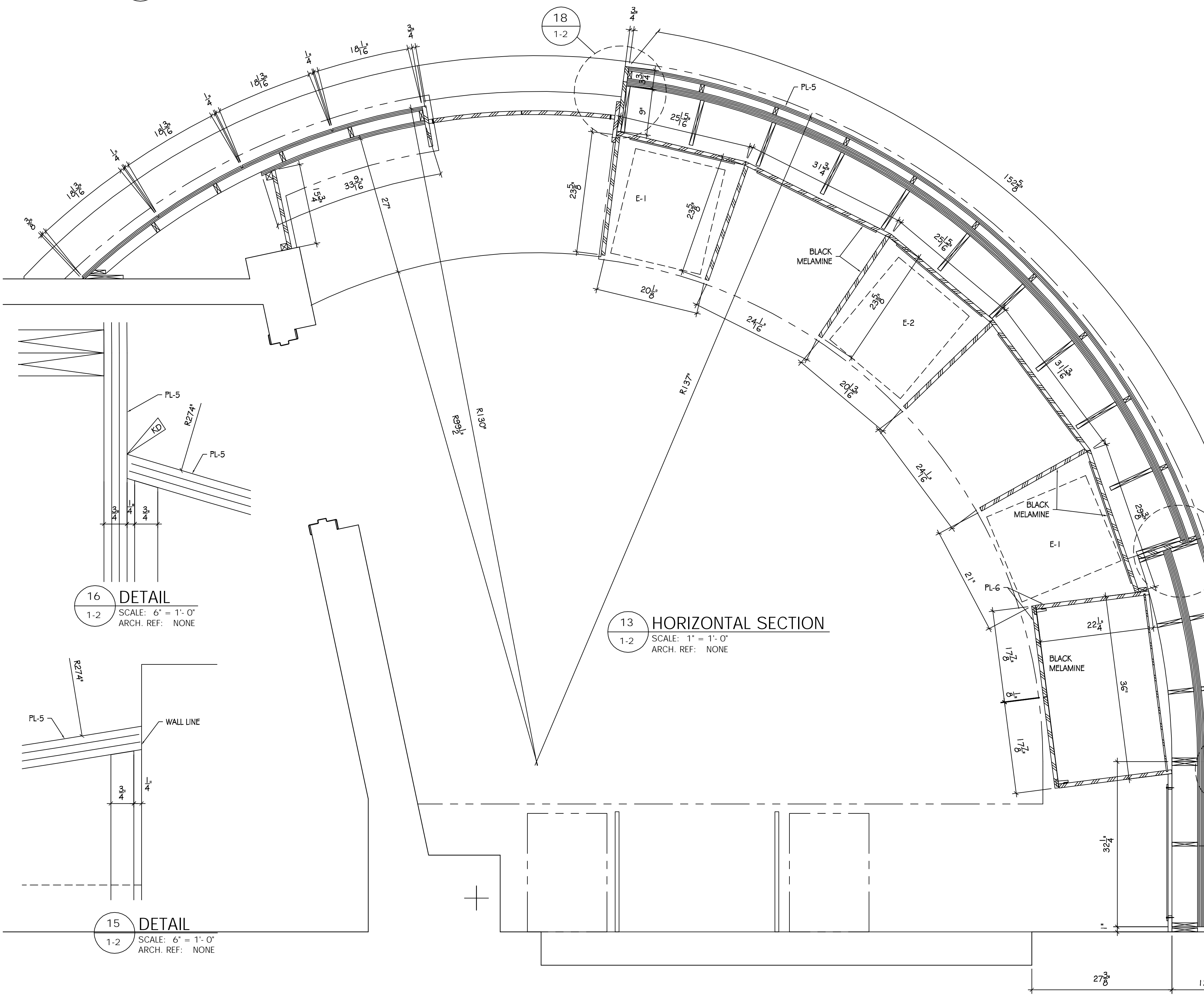
18 DETAIL
SCALE: 6" = 1'-0"
ARCH. REF: NONE



17 DETAIL
SCALE: 6" = 1'-0"
ARCH. REF: NONE



19 DETAIL
SCALE: 6" = 1'-0"
ARCH. REF: NONE

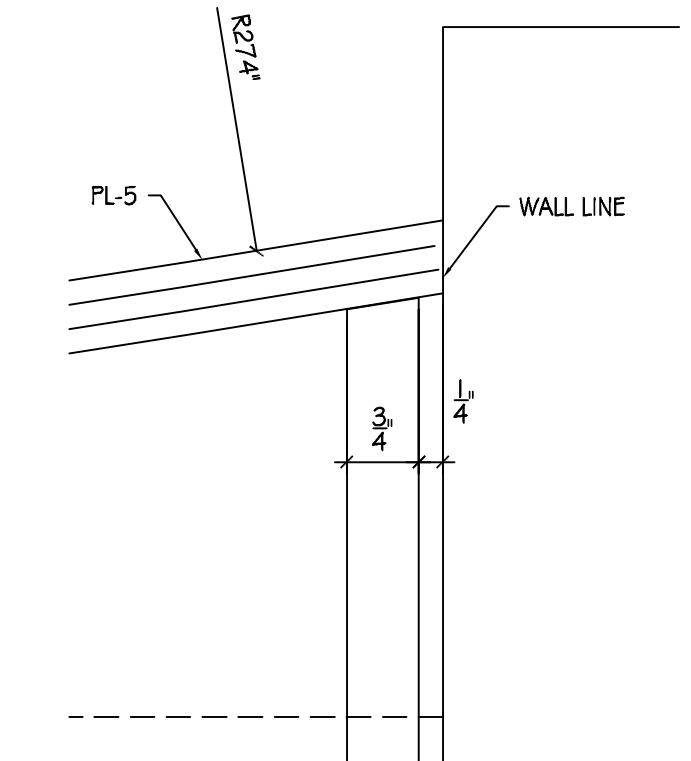
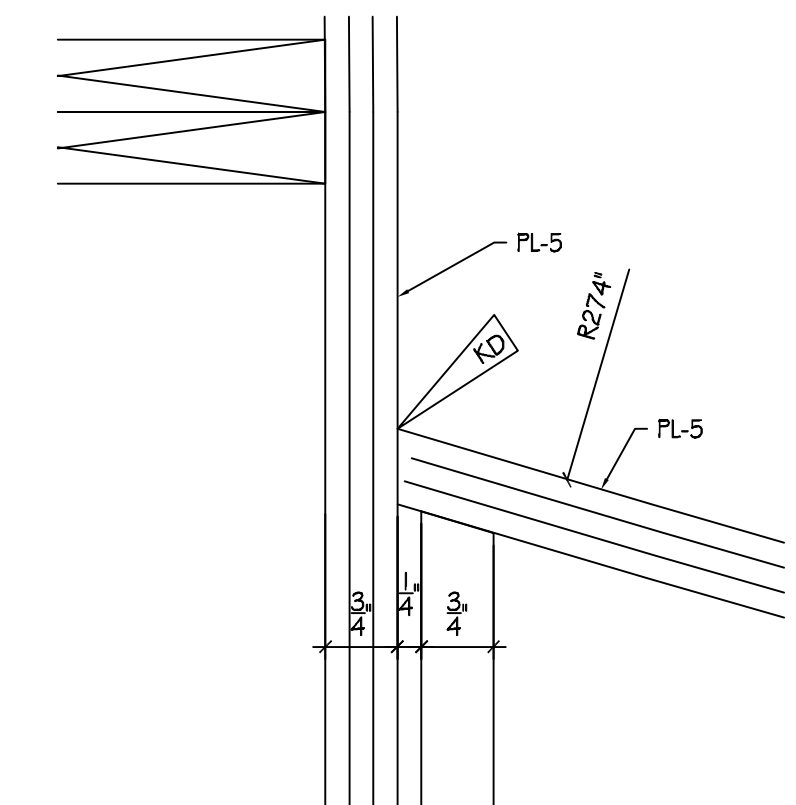


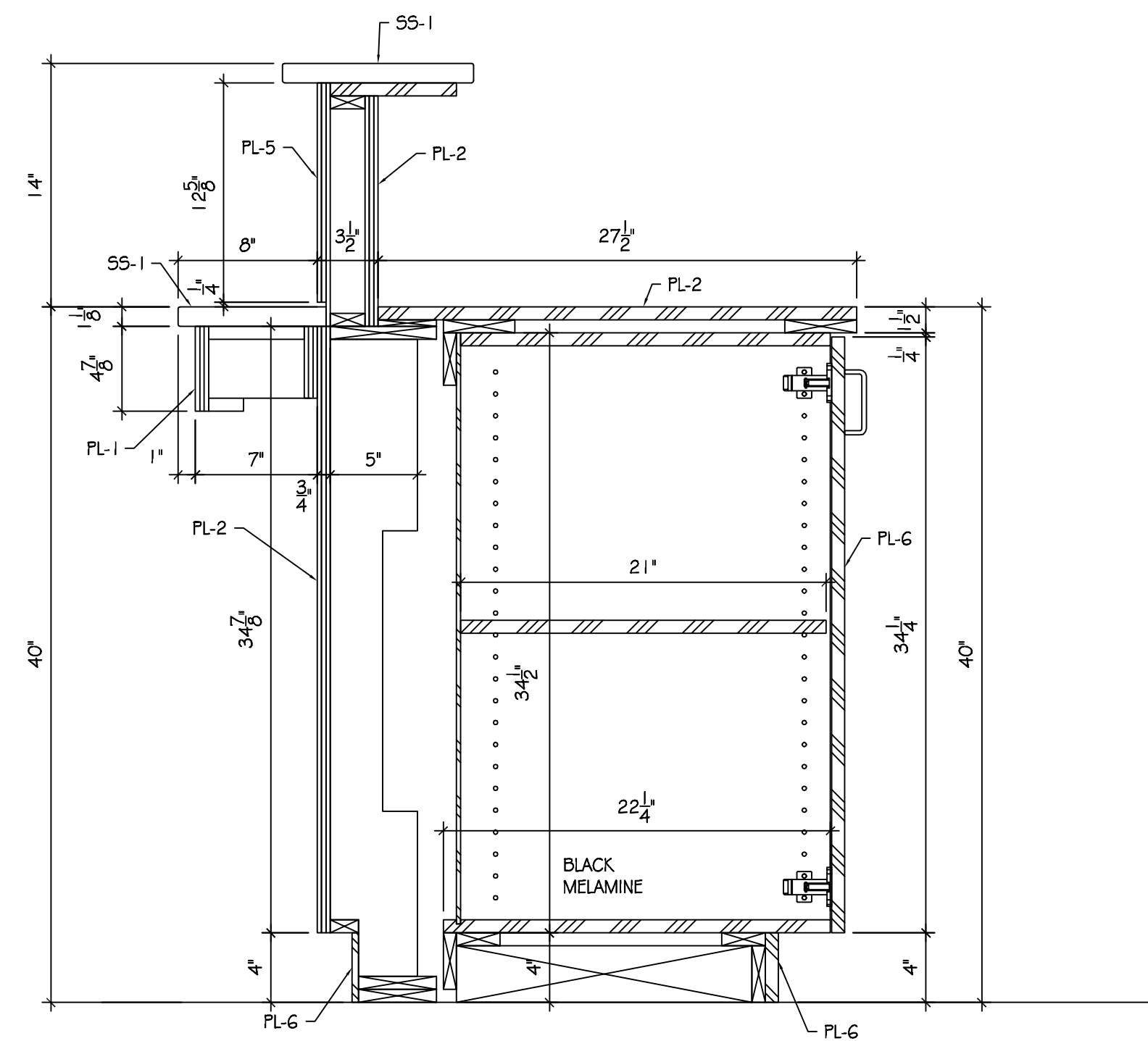
13 HORIZONTAL SECTION
SCALE: 1" = 1'-0"
ARCH. REF: NONE

14 HORIZONTAL SECTION
SCALE: 1" = 1'-0"
ARCH. REF: NONE

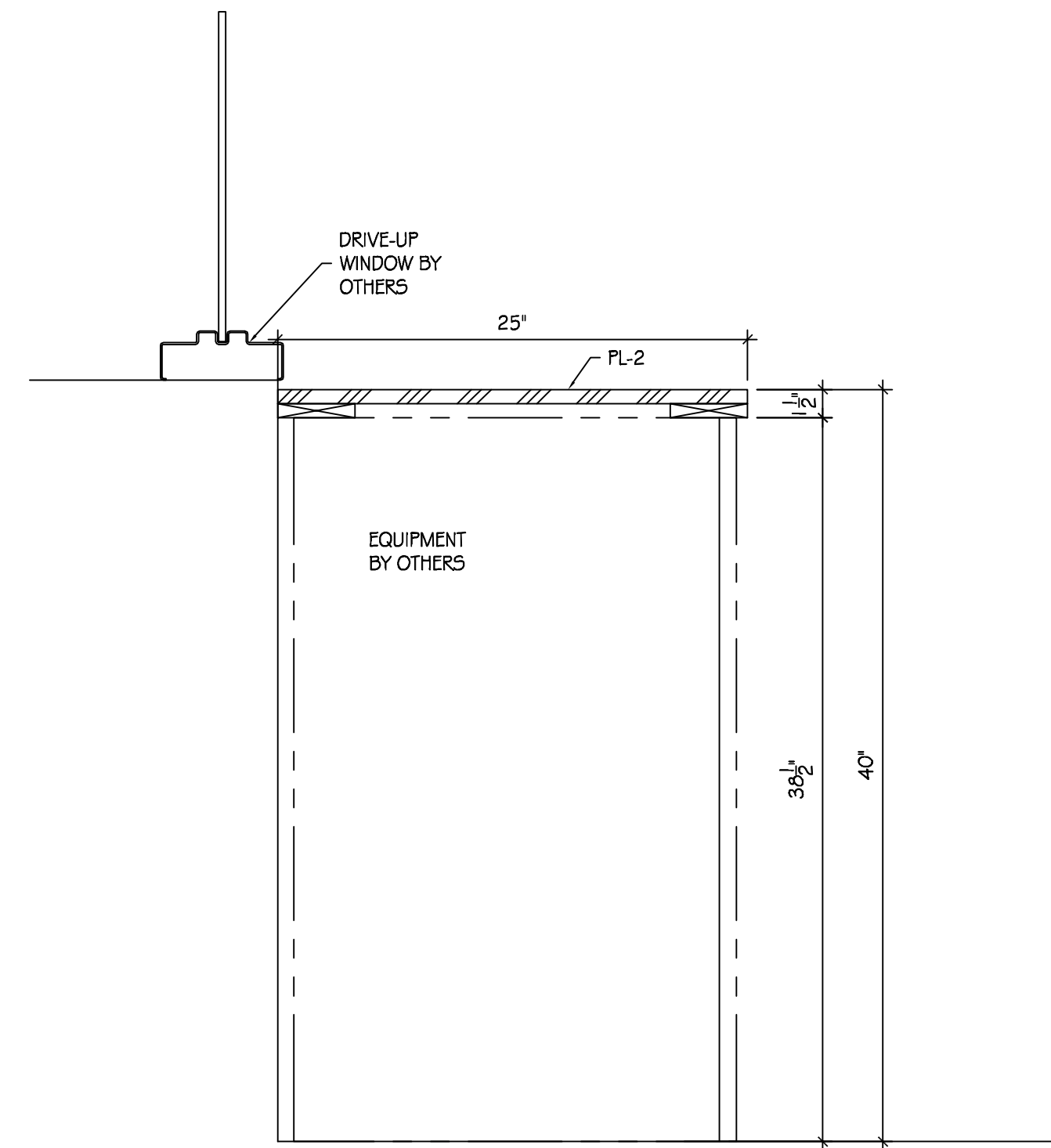
16 DETAIL
SCALE: 6" = 1'-0"
ARCH. REF: NONE

15 DETAIL
SCALE: 6" = 1'-0"
ARCH. REF: NONE

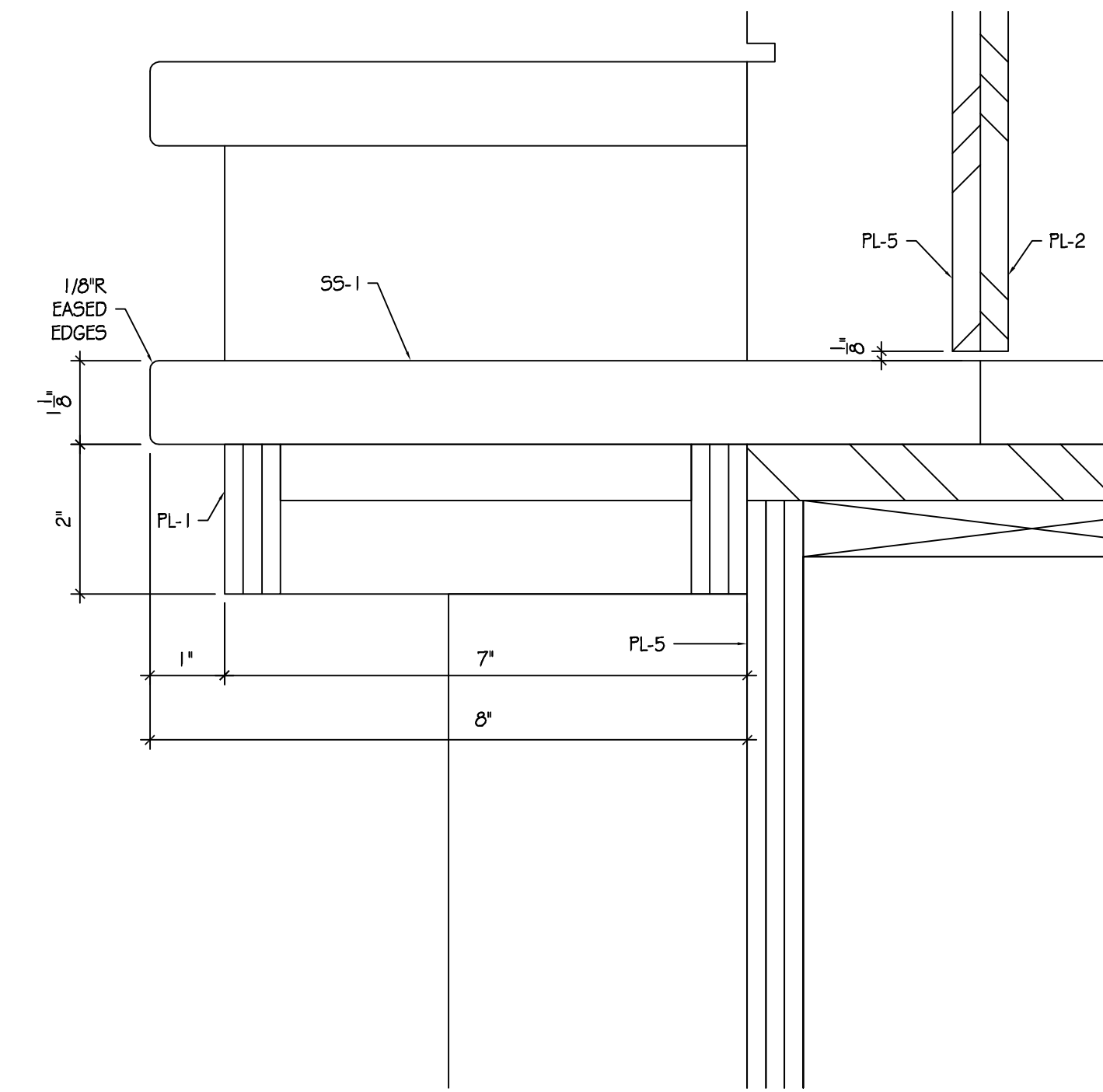




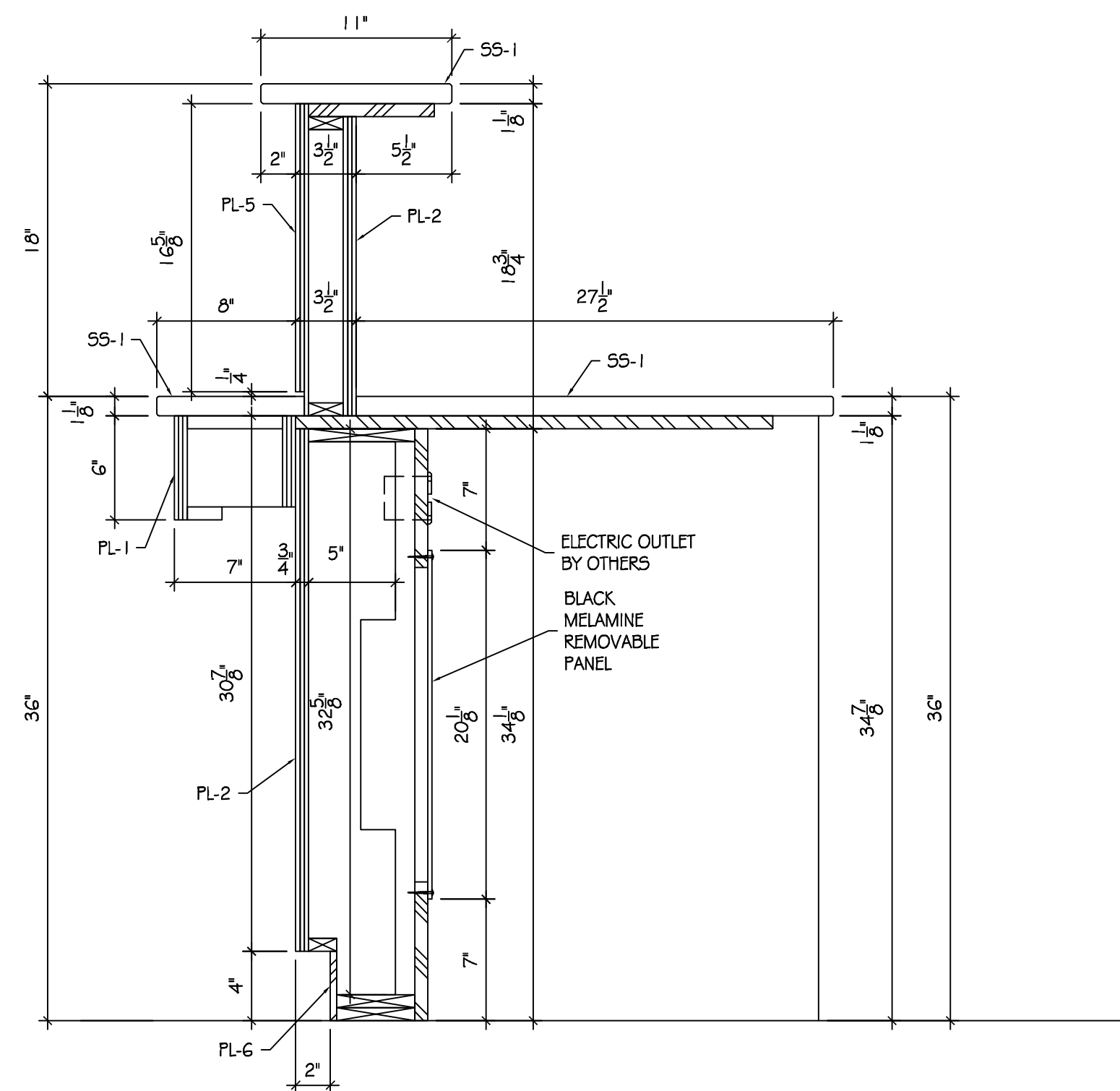
30 VERTICAL SECTION
1-4 SCALE: 1 1/2" = 1'-0"
ARCH. REF: NONE



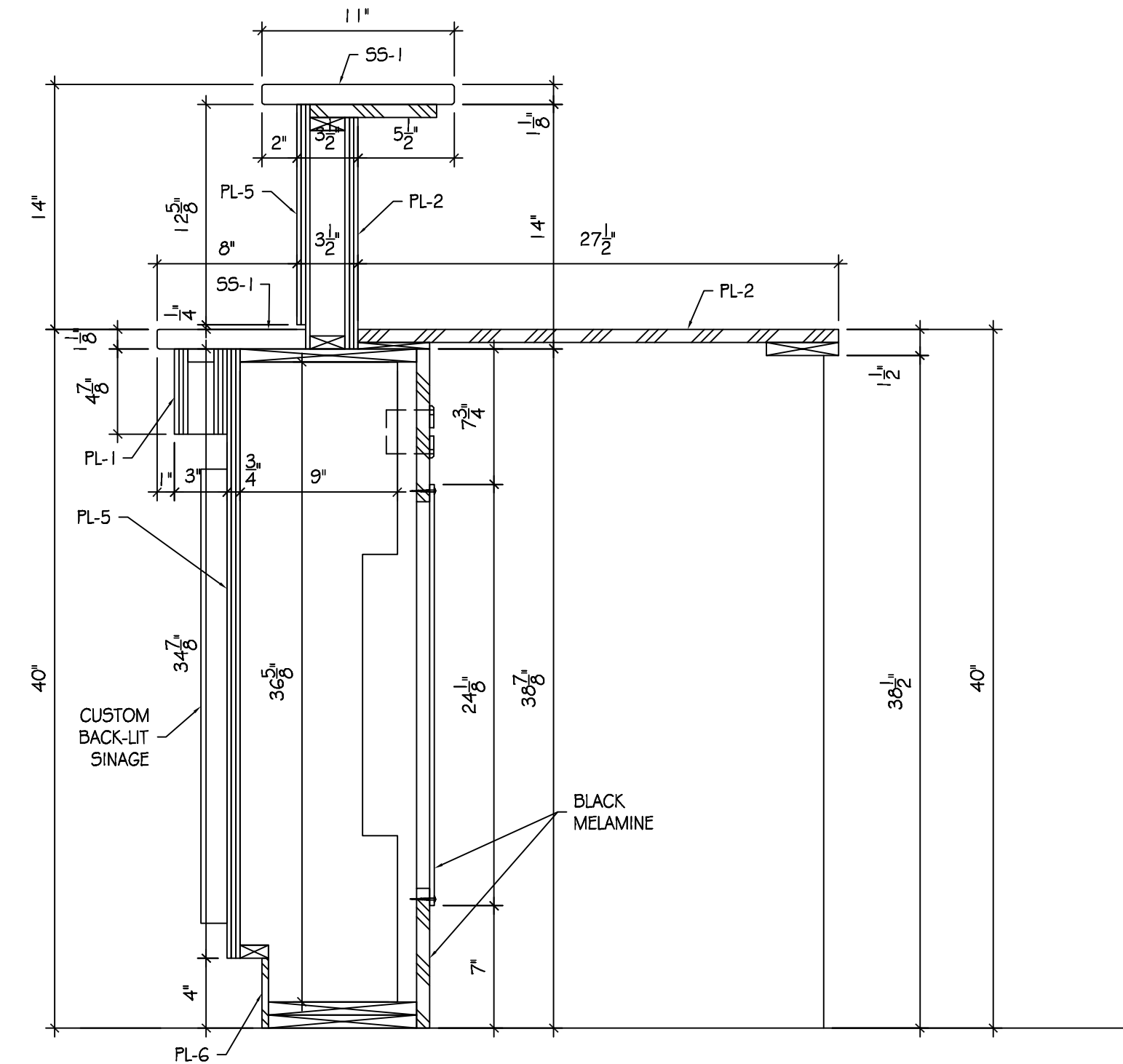
31 VERTICAL SECTION
1-4 SCALE: 1 1/2" = 1'-0"
ARCH. REF: NONE



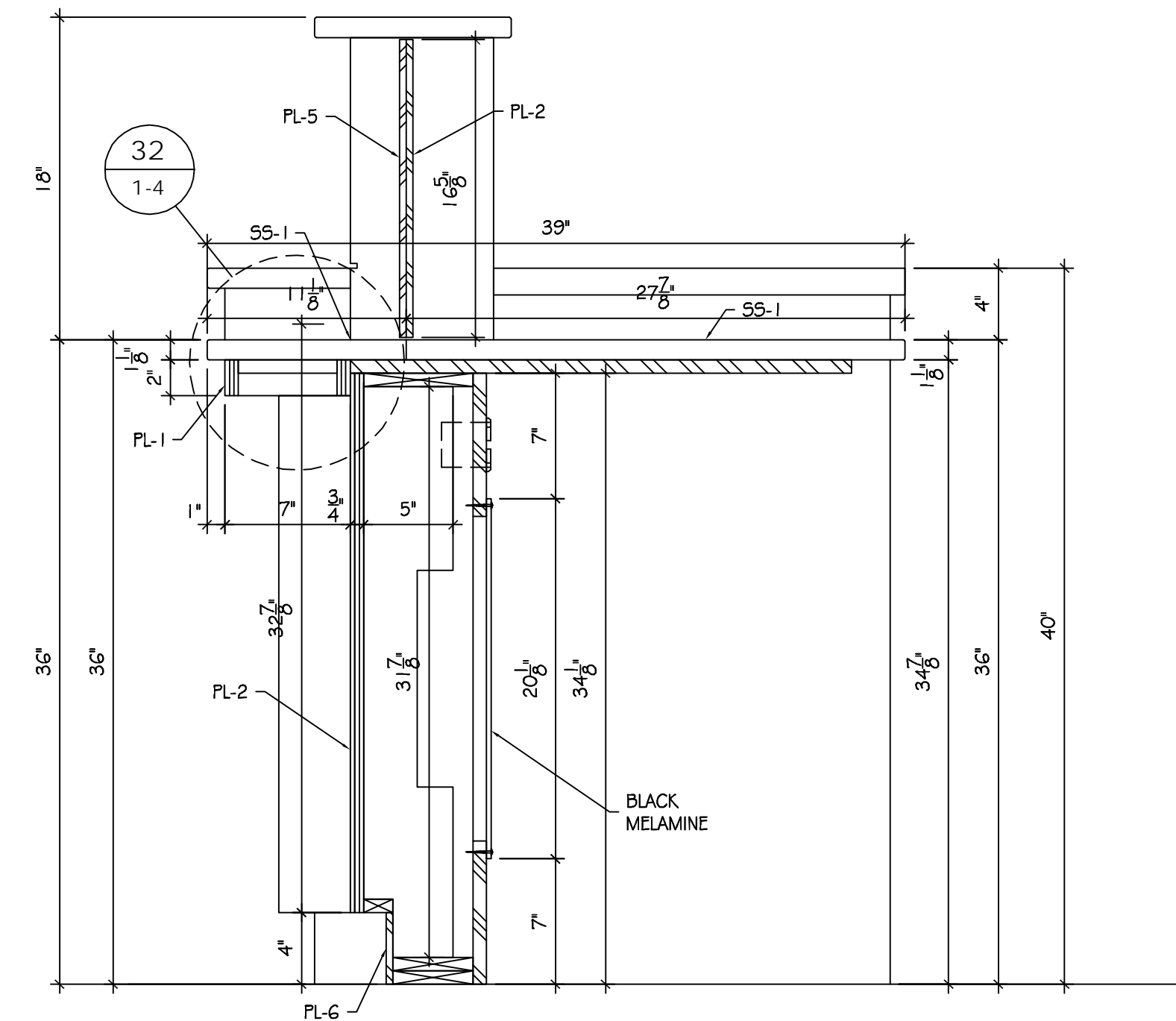
32 DETAIL
1-4 SCALE: 6" = 1'-0"
ARCH. REF: NONE



27 VERTICAL SECTION
1-4 SCALE: 1 1/2" = 1'-0"
ARCH. REF: NONE



28 VERTICAL SECTION
1-4 SCALE: 1 1/2" = 1'-0"
ARCH. REF: 7/F-7.2



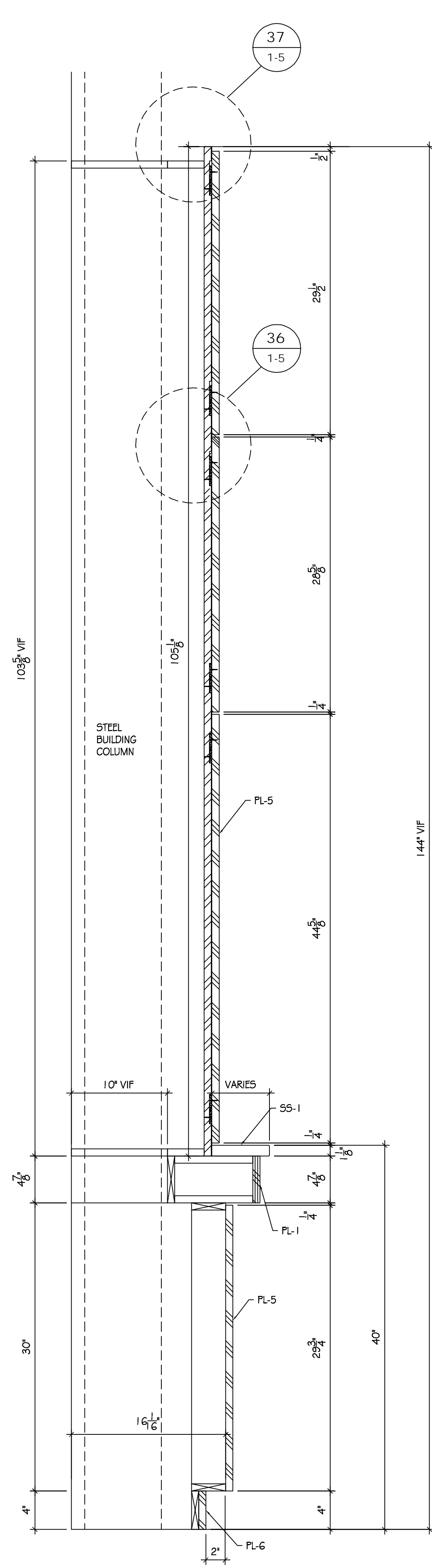
29 VERTICAL SECTION
1-4 SCALE: 1 1/2" = 1'-0"
ARCH. REF: 8/F-7.2

ARCHITECT:
GENERAL CONTRACTOR:
DESIGNER:
NOTES:

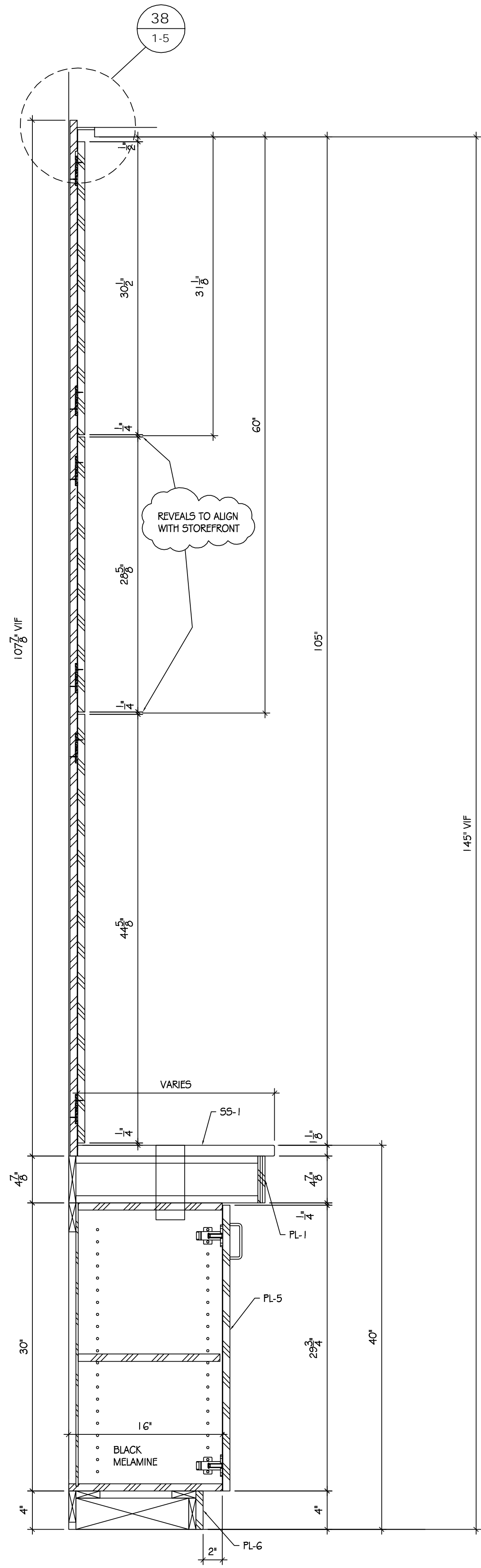
REVISIONS:

SHEET TITLE:
**Teller Line
Check Writing Desk**

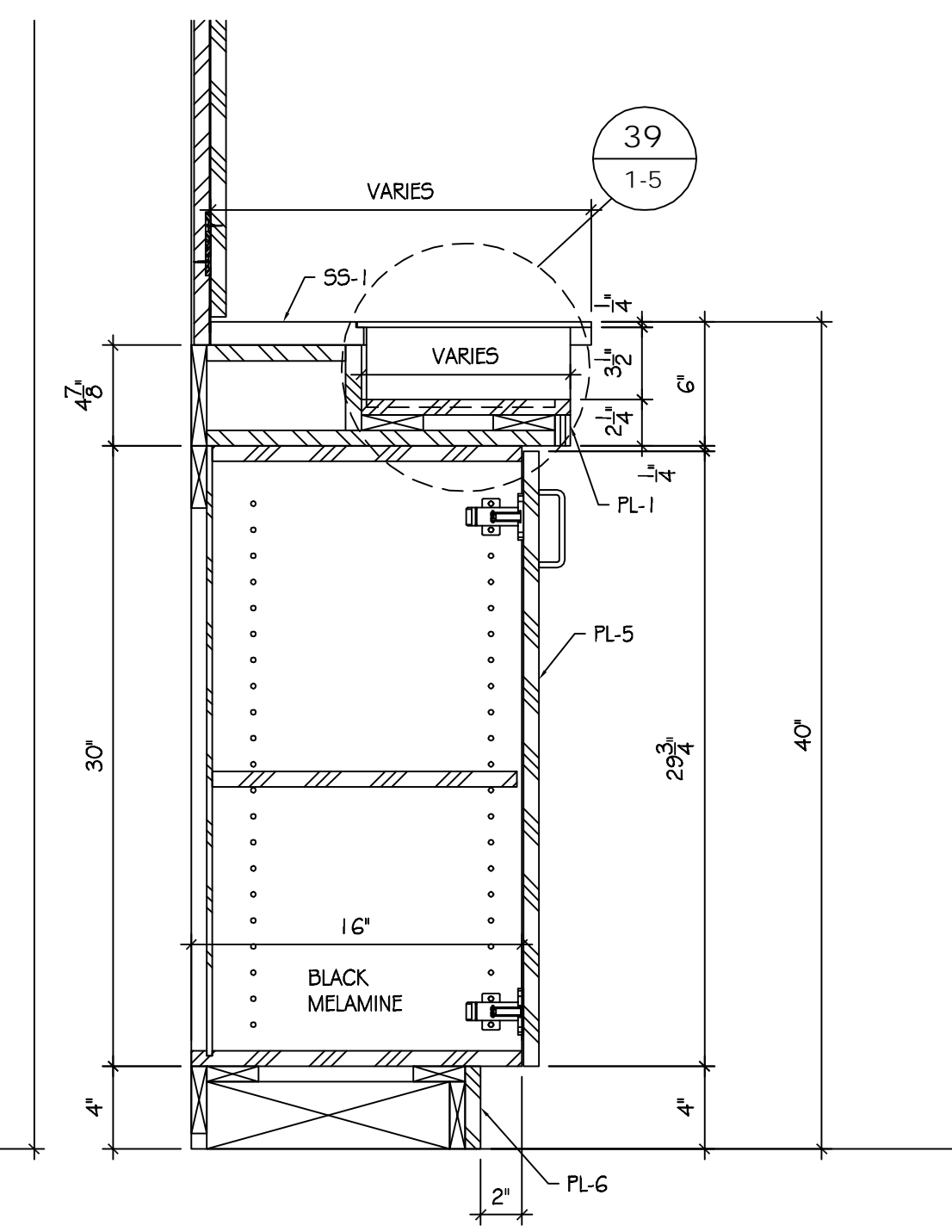
DRAWN BY: TM | DATE: 01/21/09
JOB: | SHEET NO.



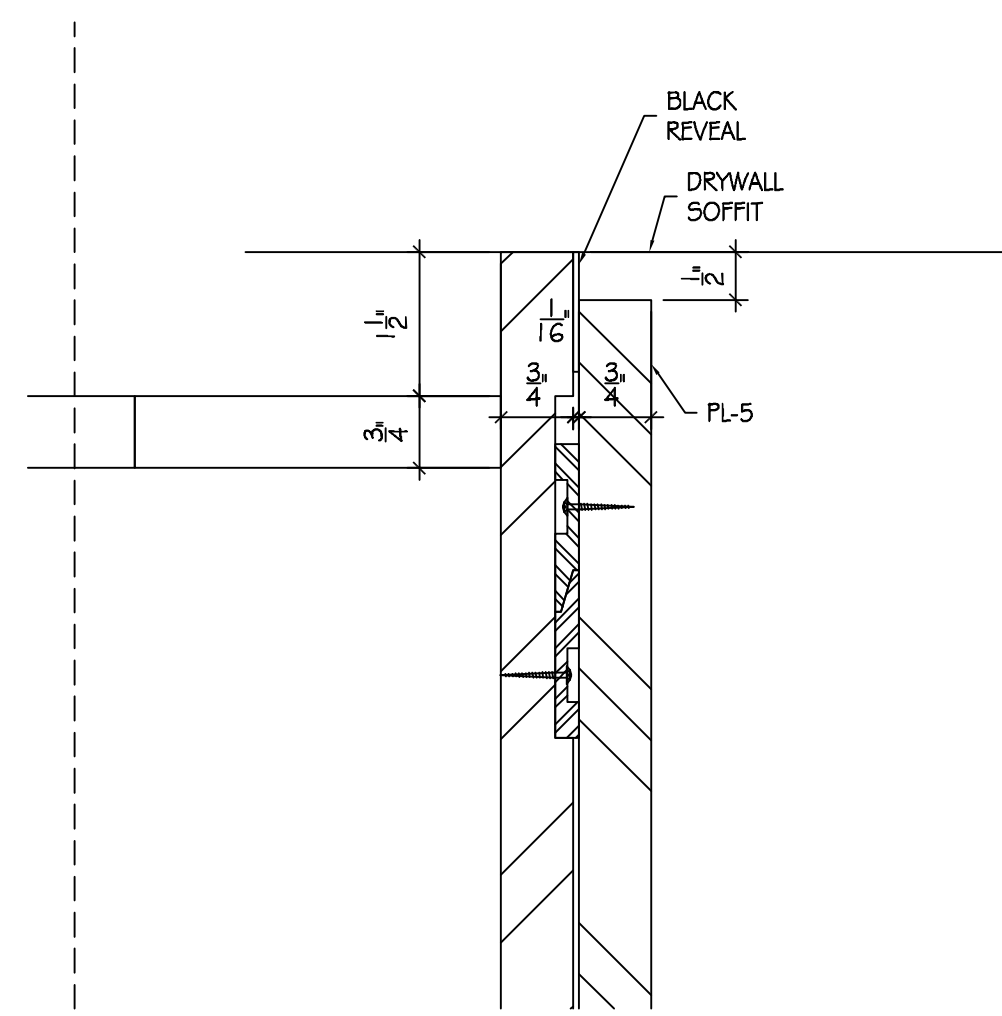
33 VERTICAL SECTION
 1-5 SCALE: 1 1/2" = 1'-0"
 ARCH. REF: NONE



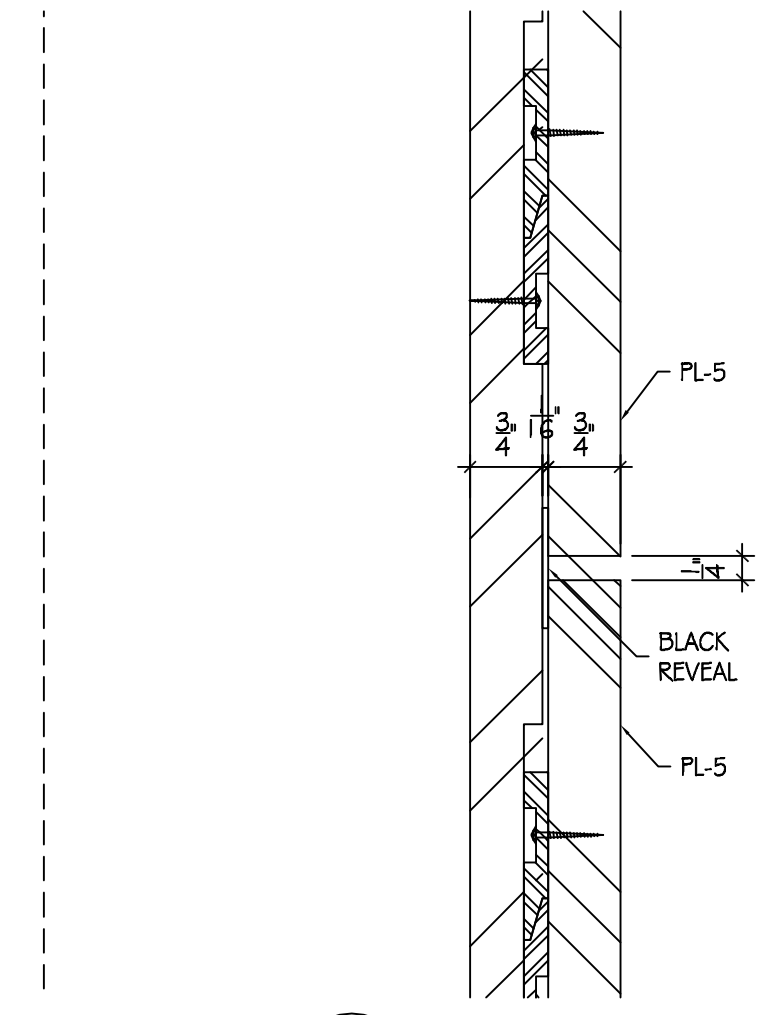
34 VERTICAL SECTION
 1-5 SCALE: 1 1/2" = 1'-0"
 ARCH. REF: NONE



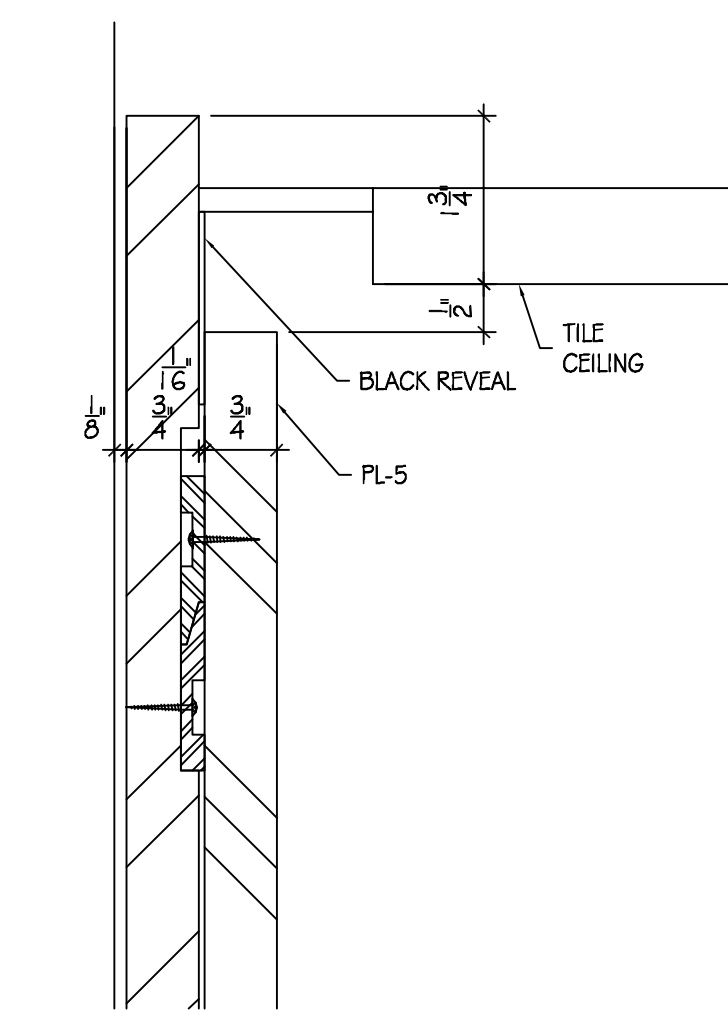
35 VERTICAL SECTION
 1-5 SCALE: 1 1/2" = 1'-0"
 ARCH. REF: NONE



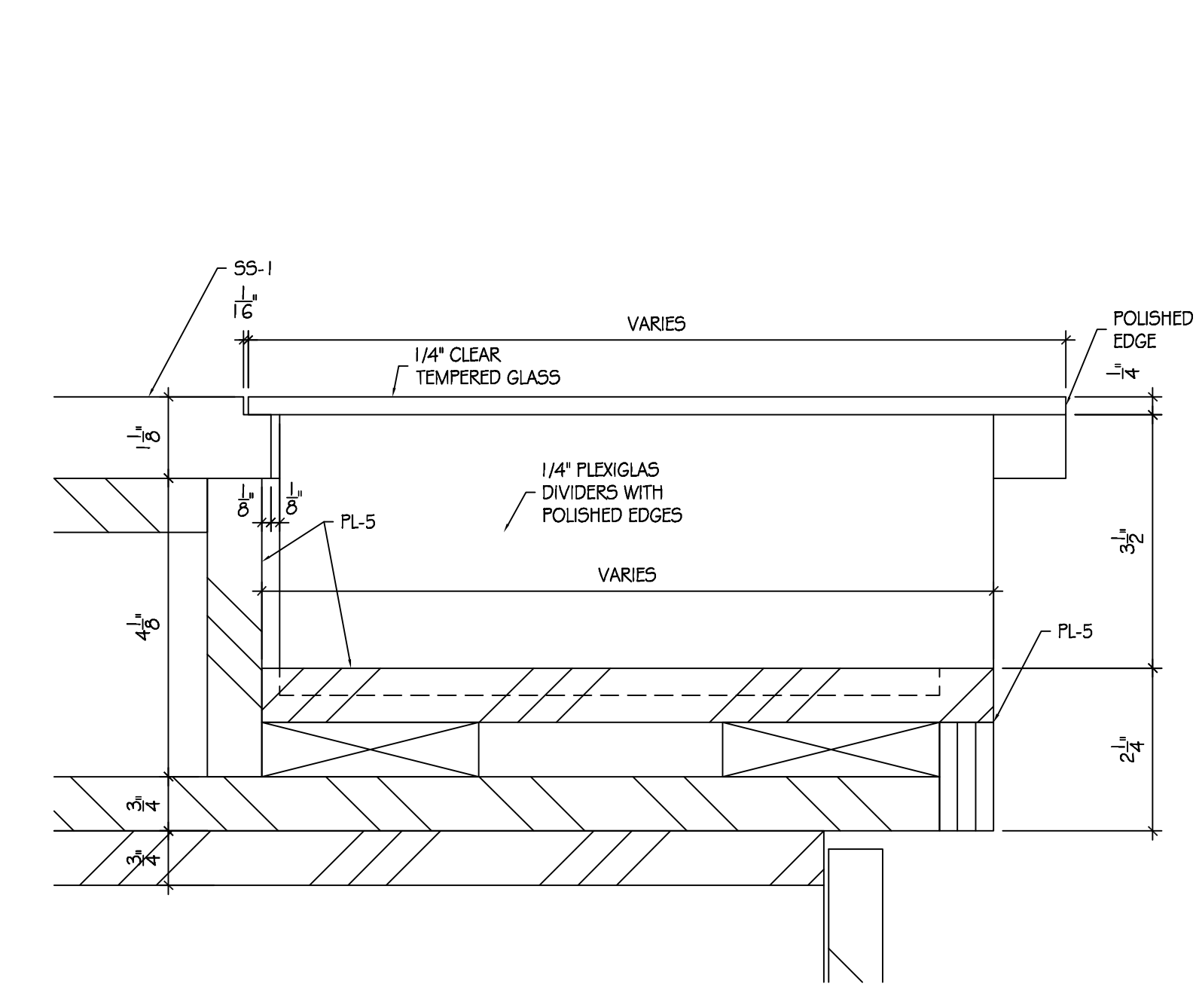
37 DETAIL
 1-5 SCALE: 6" = 1'-0"
 ARCH. REF: B/F-7.2



36 DETAIL
 1-5 SCALE: 6" = 1'-0"
 ARCH. REF: A/F-7.2



38 DETAIL
 1-5 SCALE: 6" = 1'-0"
 ARCH. REF: C/F-7.2



39 DETAIL
 1-5 SCALE: 6" = 1'-0"
 ARCH. REF: C/F-7.2



ARCHITECT:
 GENERAL CONTRACTOR:
 DESIGNER:
 NOTES:

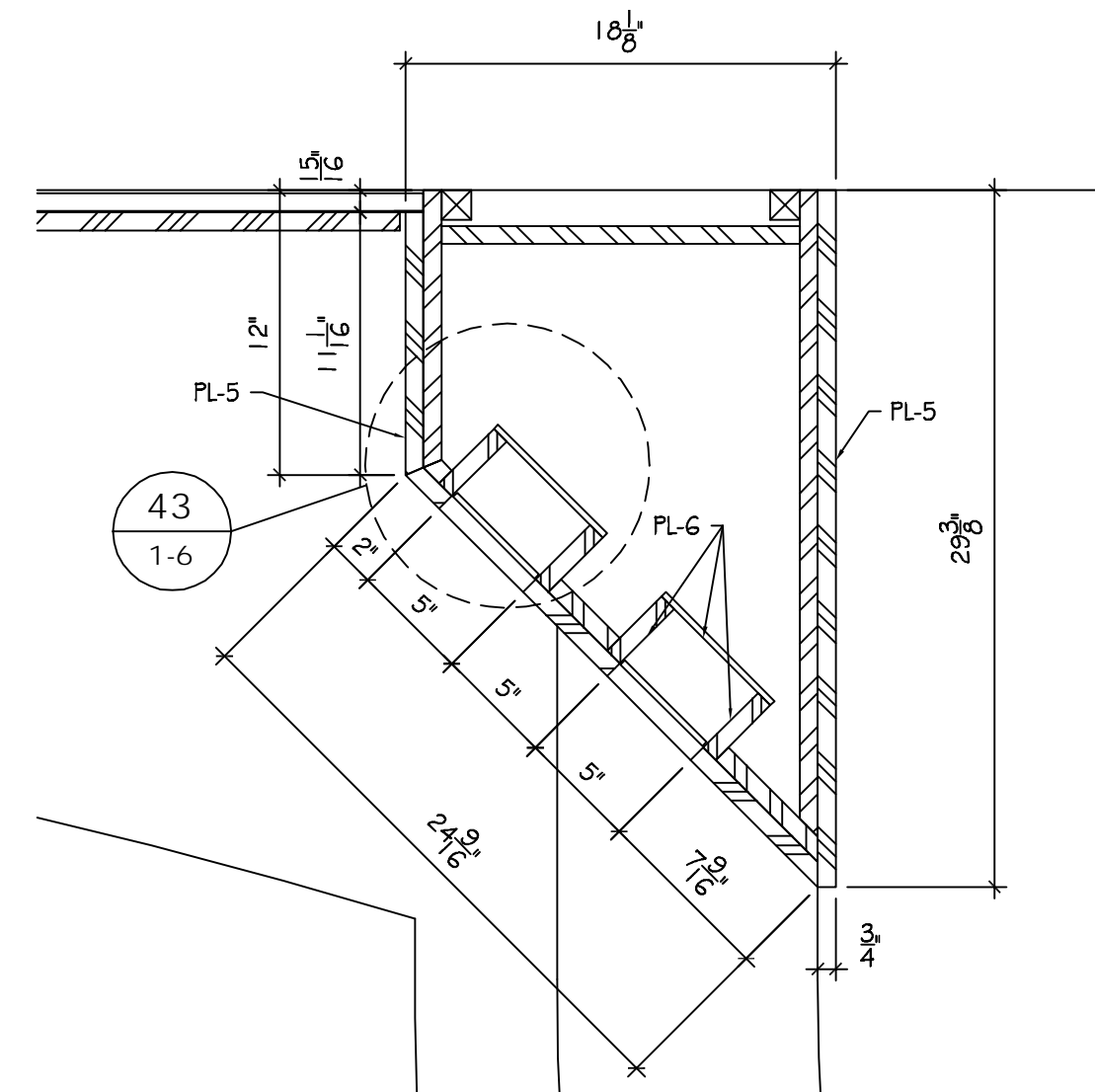
REVISIONS:

SHEET TITLE:

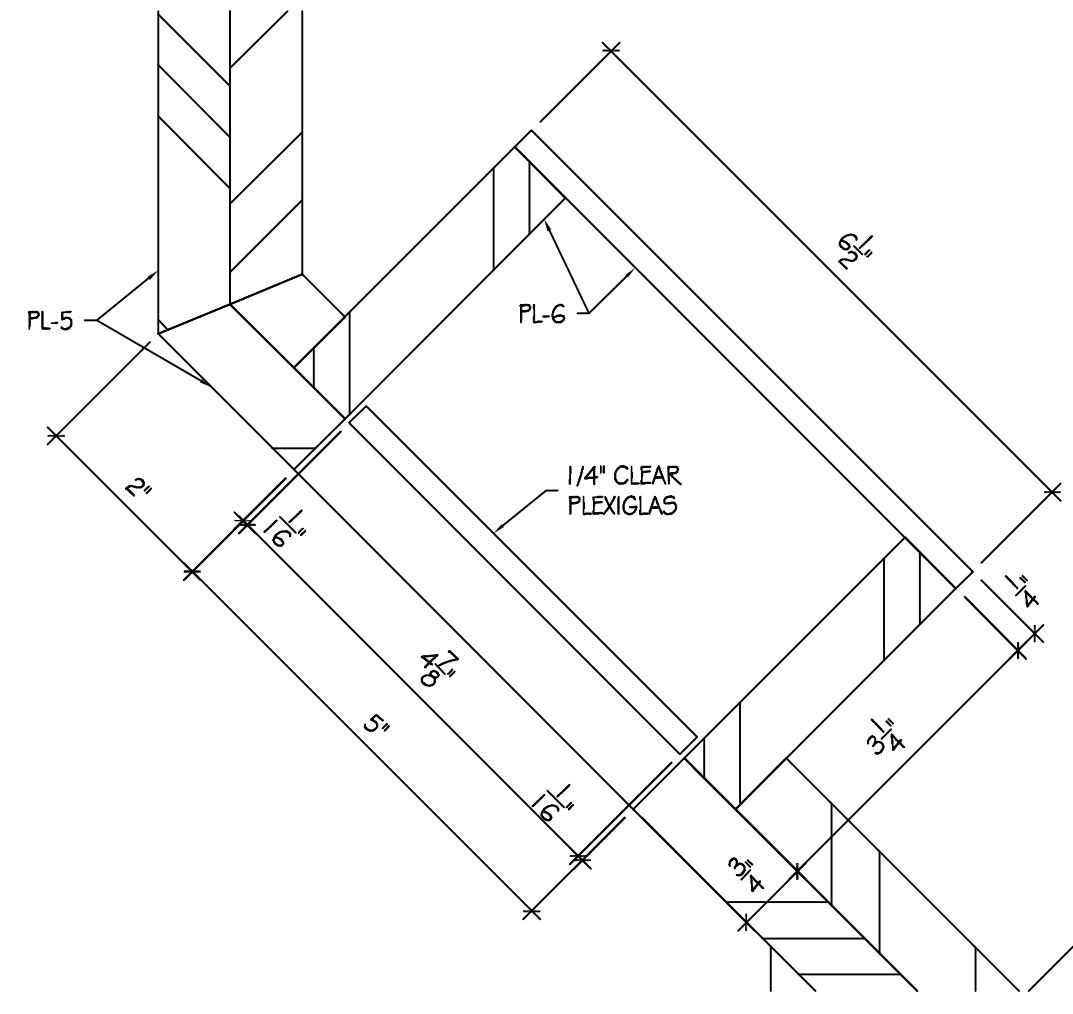
Teller Line
 Check Writing Desk

DRAWN BY: TM | DATE: 01/21/09

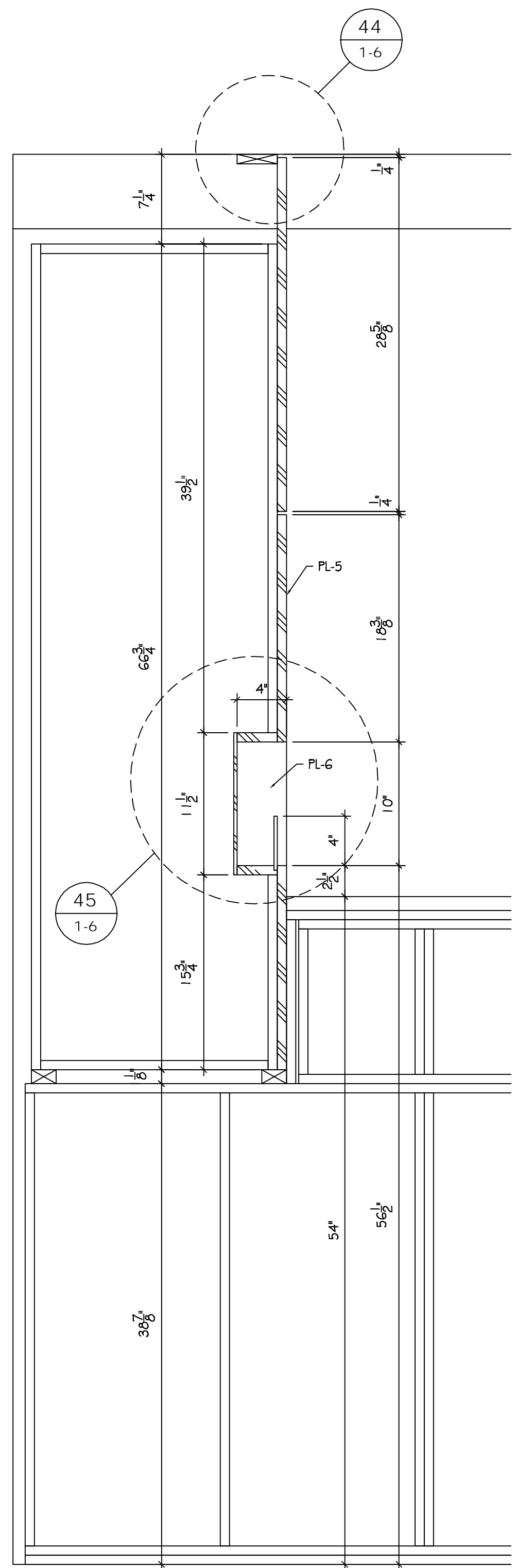
JOB: | SHEET NO.



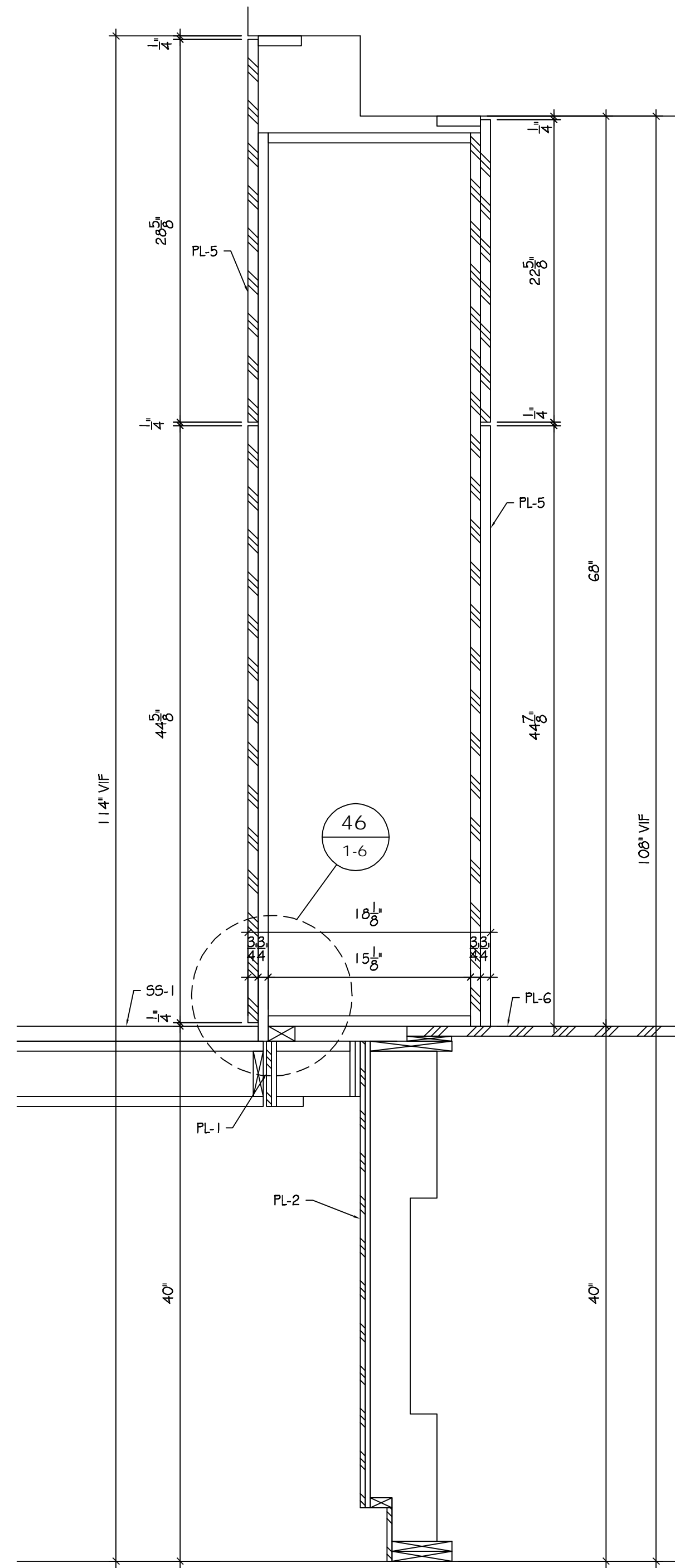
42 PLAN SECTION
1-6 SCALE: 1 1/2" = 1'-0"
ARCH. REF: 5/F-7.3



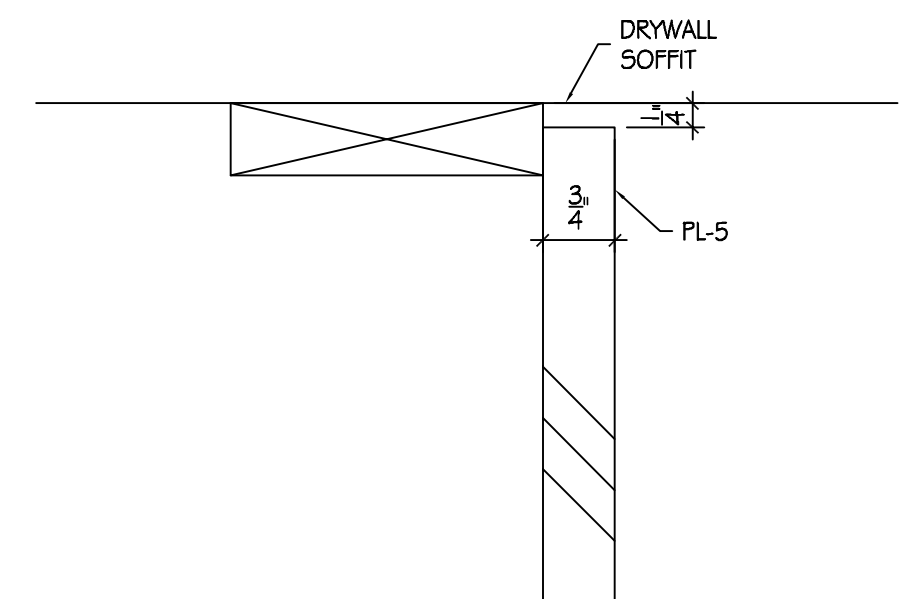
43 DETAIL
1-6 SCALE: 6" = 1'-0"
ARCH. REF: 5/F-7.3



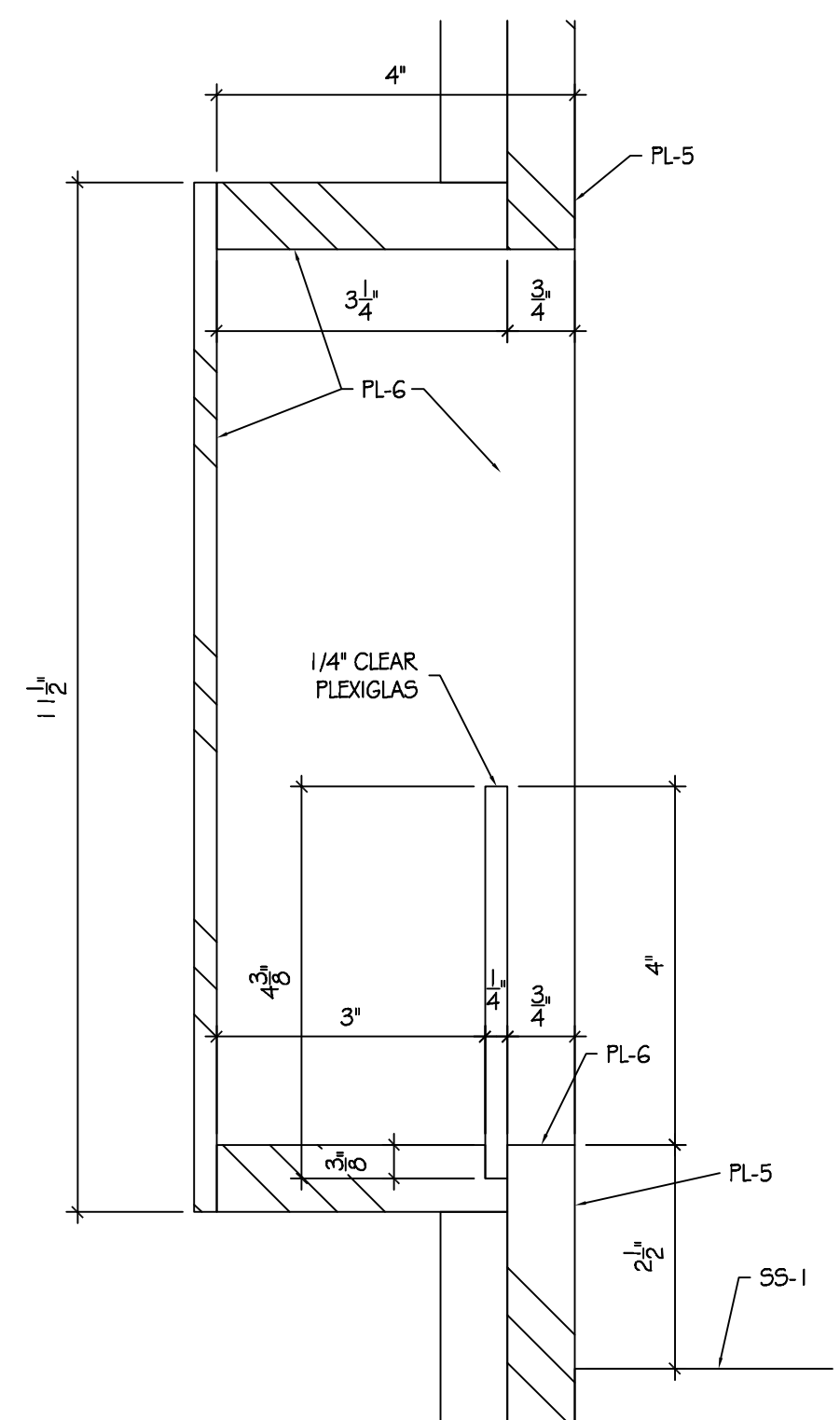
40 VERTICAL SECTION
1-6 SCALE: 1 1/2" = 1'-0"
ARCH. REF: 6/F-7.3



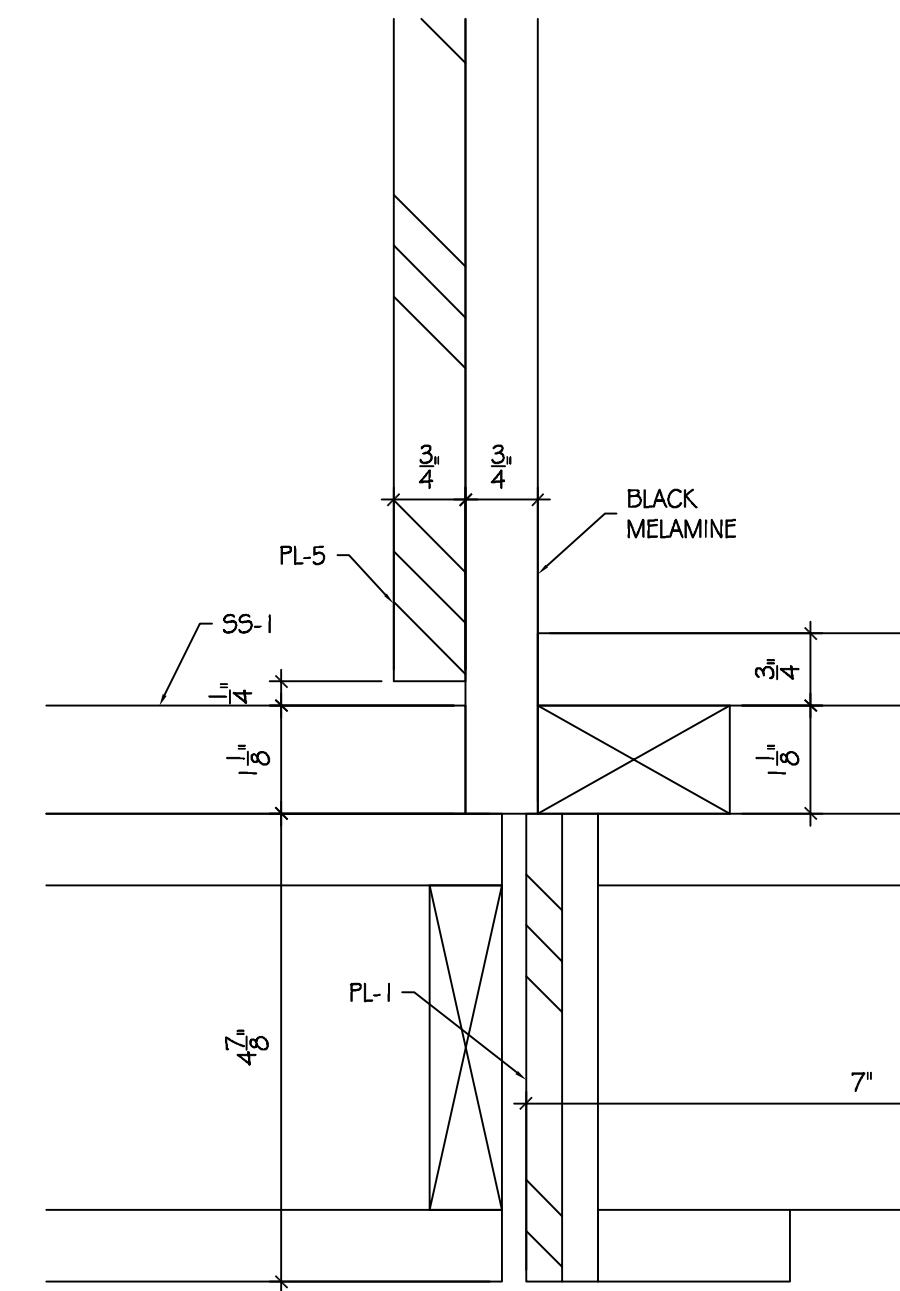
41 VERTICAL SECTION
1-6 SCALE: 1 1/2" = 1'-0"
ARCH. REF: NONE



44 DETAIL
1-6 SCALE: 6" = 1'-0"
ARCH. REF: 5/F-7.3



45 DETAIL
1-6 SCALE: 6" = 1'-0"
ARCH. REF: 5/F-7.3



46 DETAIL
1-6 SCALE: 6" = 1'-0"
ARCH. REF: 5/F-7.3

ARCHITECT:
GENERAL CONTRACTOR:
DESIGNER:
NOTES:

REVISIONS:

SHEET TITLE:

Teller Line
Check Writing Desk

DRAWN BY: TM | DATE: 01/21/09

JOB: | SHEET NO.

1-6

