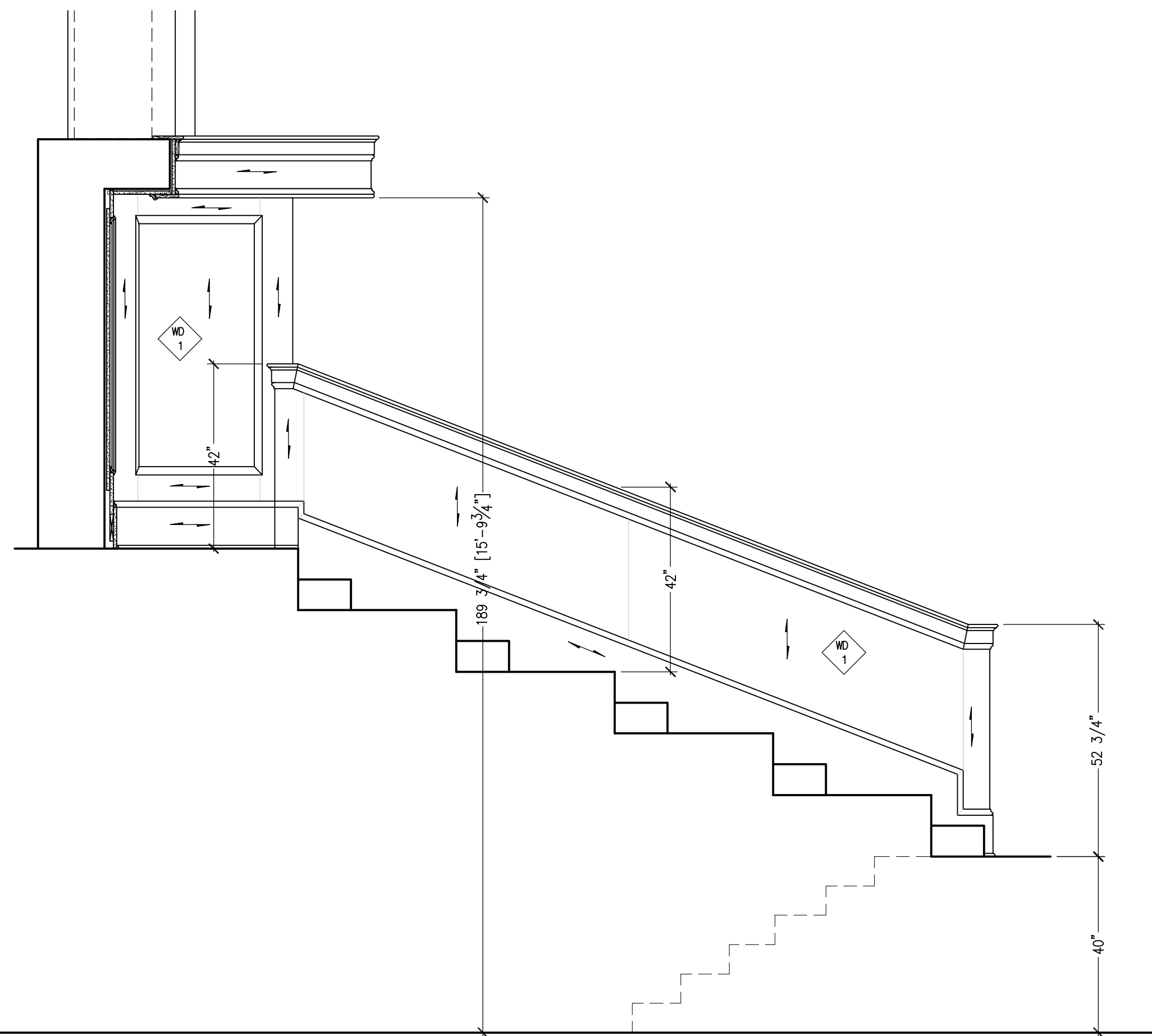
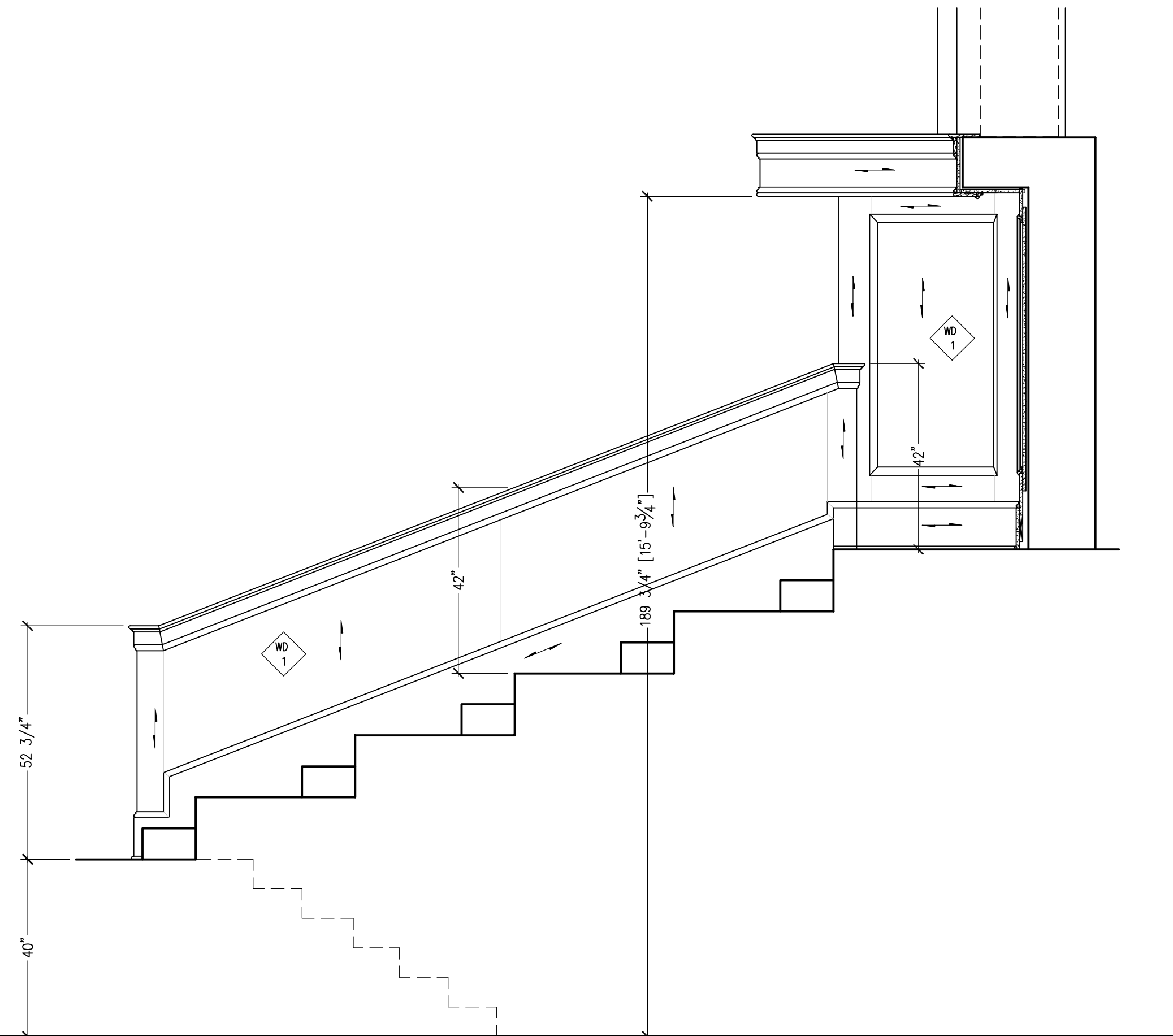


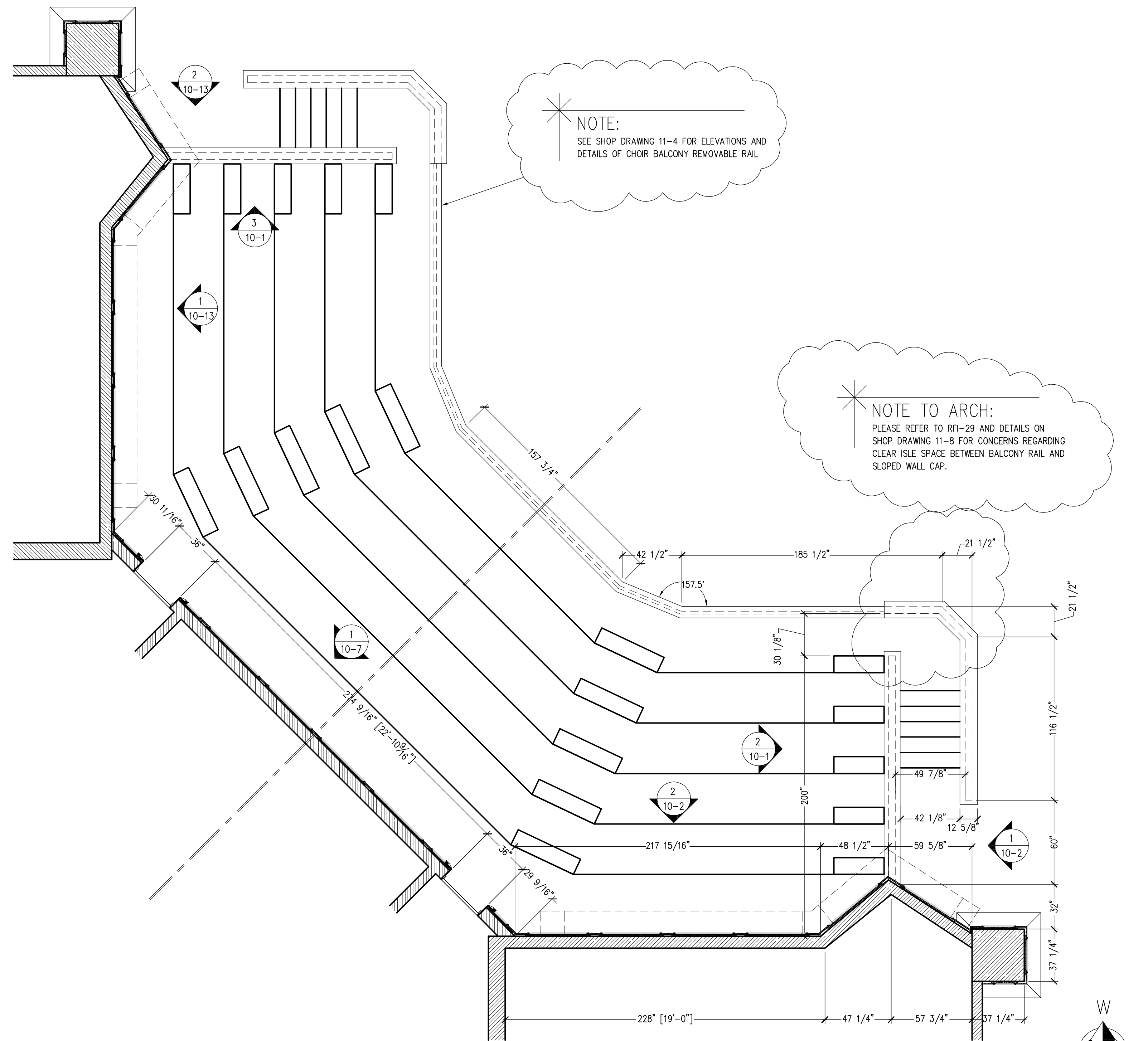
MATERIAL SPECIFICATIONS			
TYPE	DESCRIPTION	M.R.	
CORE	MDF		
VENEER	WD-1 Plain Sliced Cherry		
SOLID	WD-1 Plain Sawn Cherry		
FINISH	WD-1, MATCH SAMPLE		
HARDWARE LIST			
QTY:	DESCRIPTION	M.R.	
INFORMATION SYSTEMS			
ITEM #	DESCRIPTION	CUST.	PROD.



3 ELEVATION CHAIR LOFT 316
10-1 SCALE: 1/2"=12" REF: NONE



2 ELEVATION CHAIR LOFT 316
10-1 SCALE: 1/2"=12" REF: NONE



1 PLAN VIEW CHAIR LOFT 316
10-1 SCALE: 1/4"=12" REF: A1/A103, A1/A123

WALL PANELS AT CHOIR LOFT

PROJECT NO.

CUTBILL NO.

PSI WORK ORDER NO.

SCALE AS NOTED

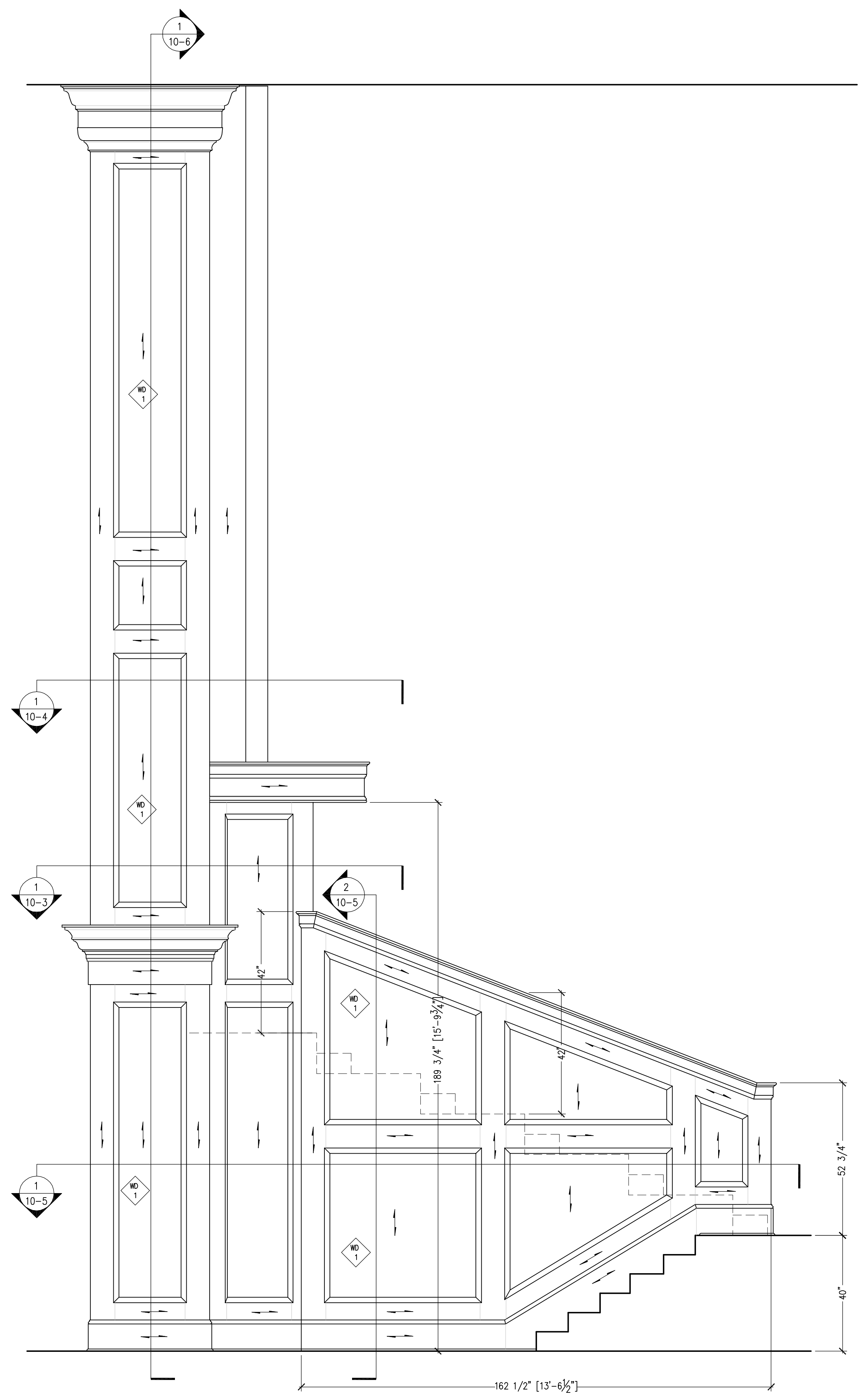
DRAWN BY DATE
TM 10/10/05

DELIVERY DATE

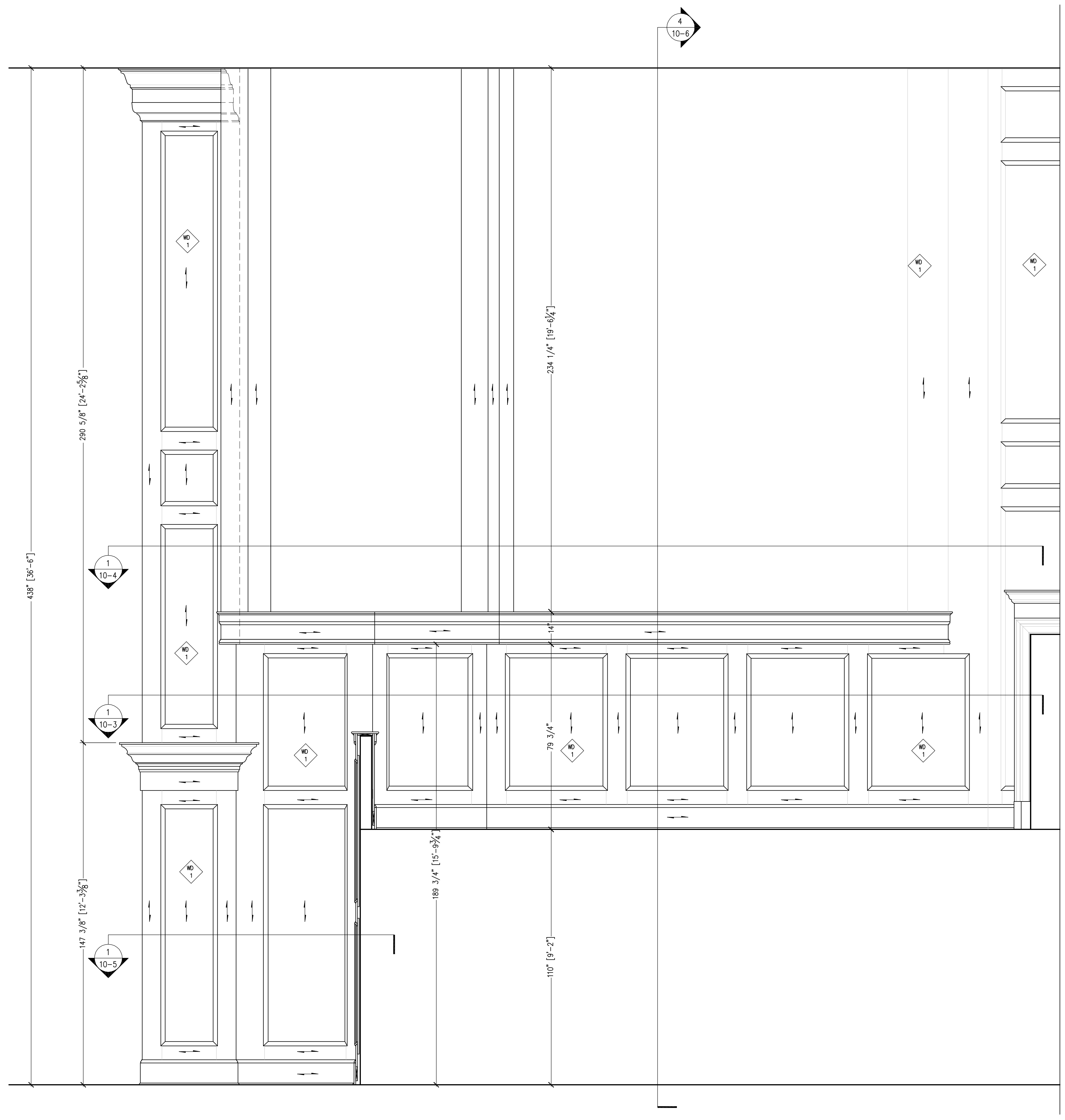
REVISIONS		
NO.	DATE	DESCRIPTION
1		
2		
3		
4		
5		
6		
7		
8		
9		
10		
11		
12		

SHEET NO.

10-1
PRELIMINARY



1 ELEVATION
10-2 SCALE: 1/2"=12" REF: NONE



2 ELEVATION EAST WALL
10-2 SCALE: 1/2"=12" REF: A1/A611

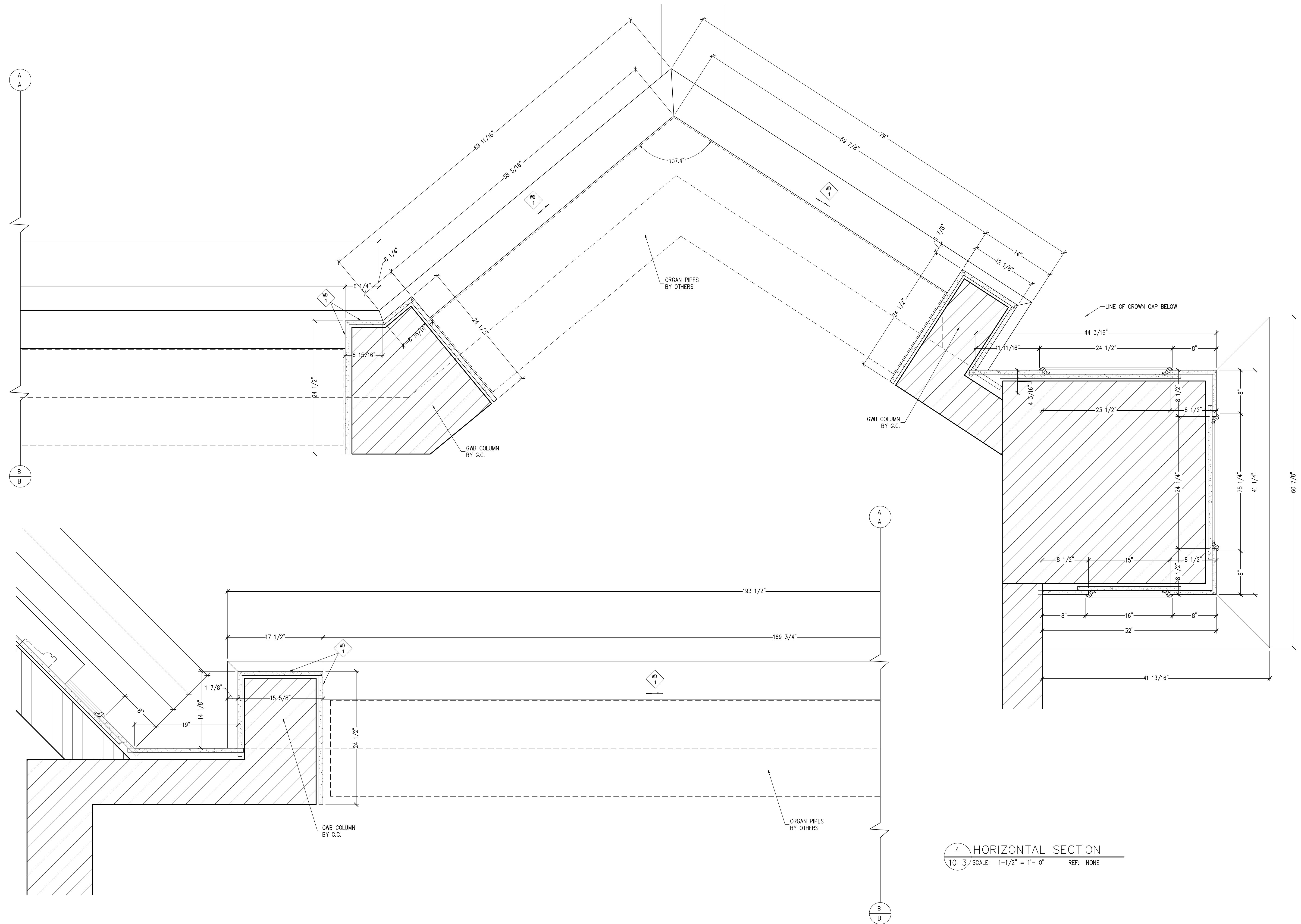
WALL PANELS AT CHOIR LOFT

PROJECT NO.
CUTBILL NO.
PSI WORK ORDER NO.
SCALE AS NOTED
DRAWN BY TM DATE 10/10/05
DELIVERY DATE

REVISIONS		
NO.	DATE	DESCRIPTION
1		
2		
3		
4		
5		
6		
7		
8		
9		
10		
11		
12		

SHEET NO.
10-2
PRELIMINARY

WALL PANELS AT CHOIR LOFT

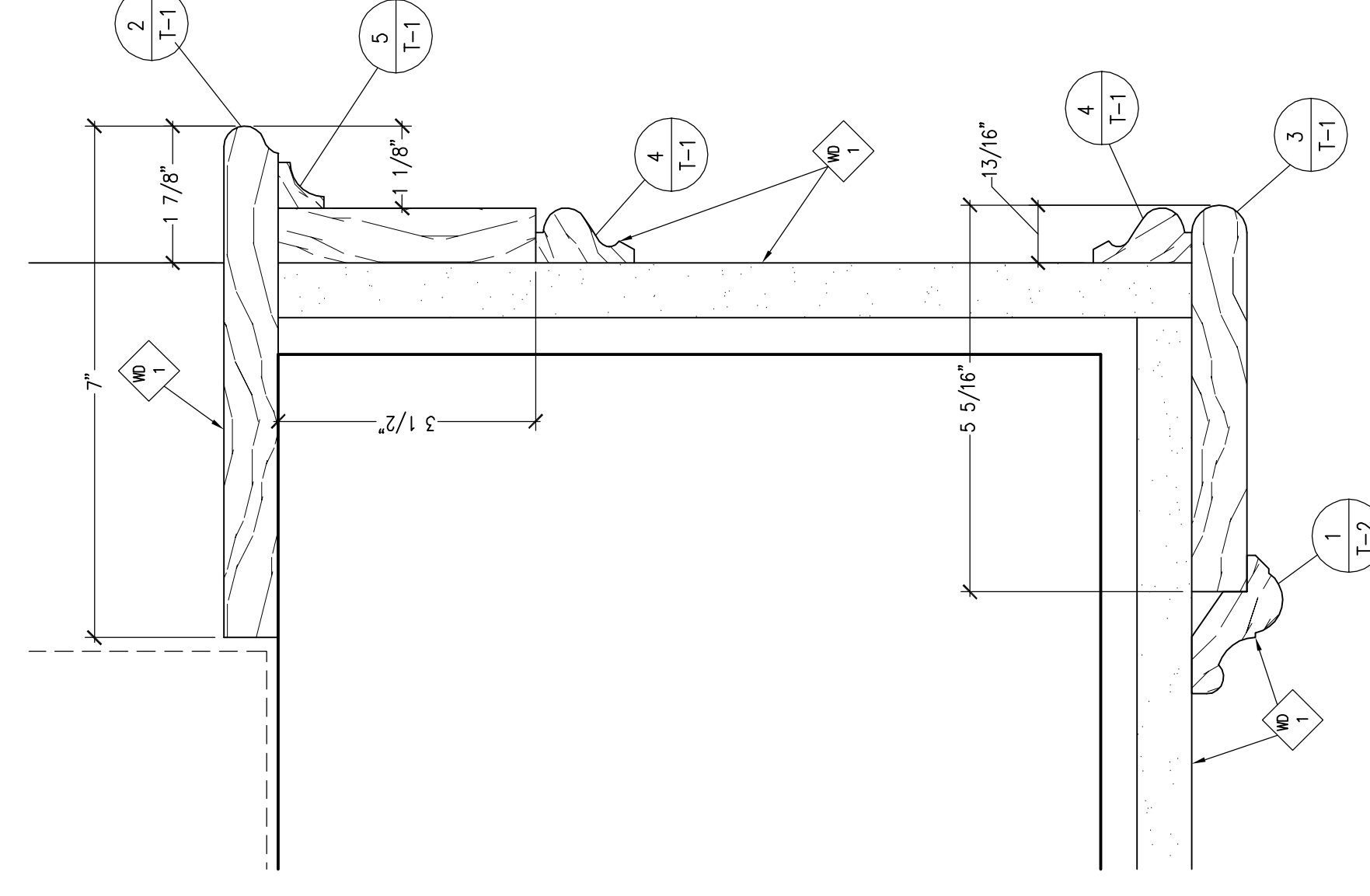
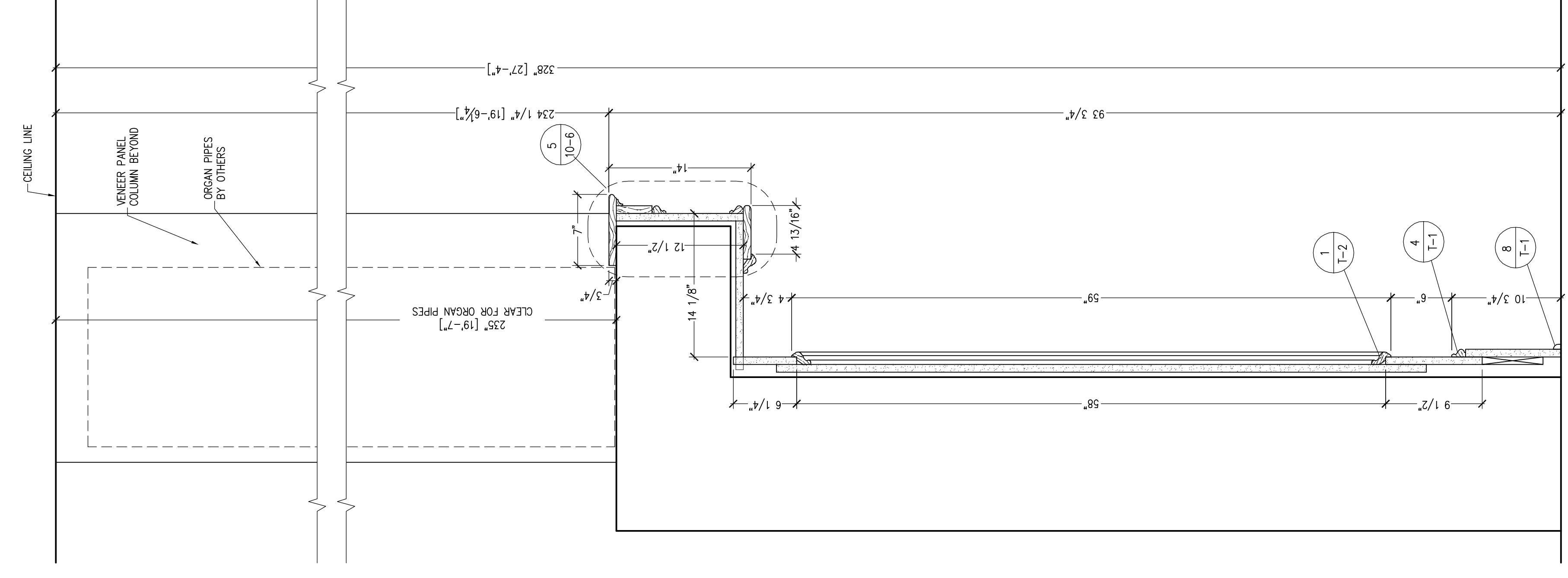
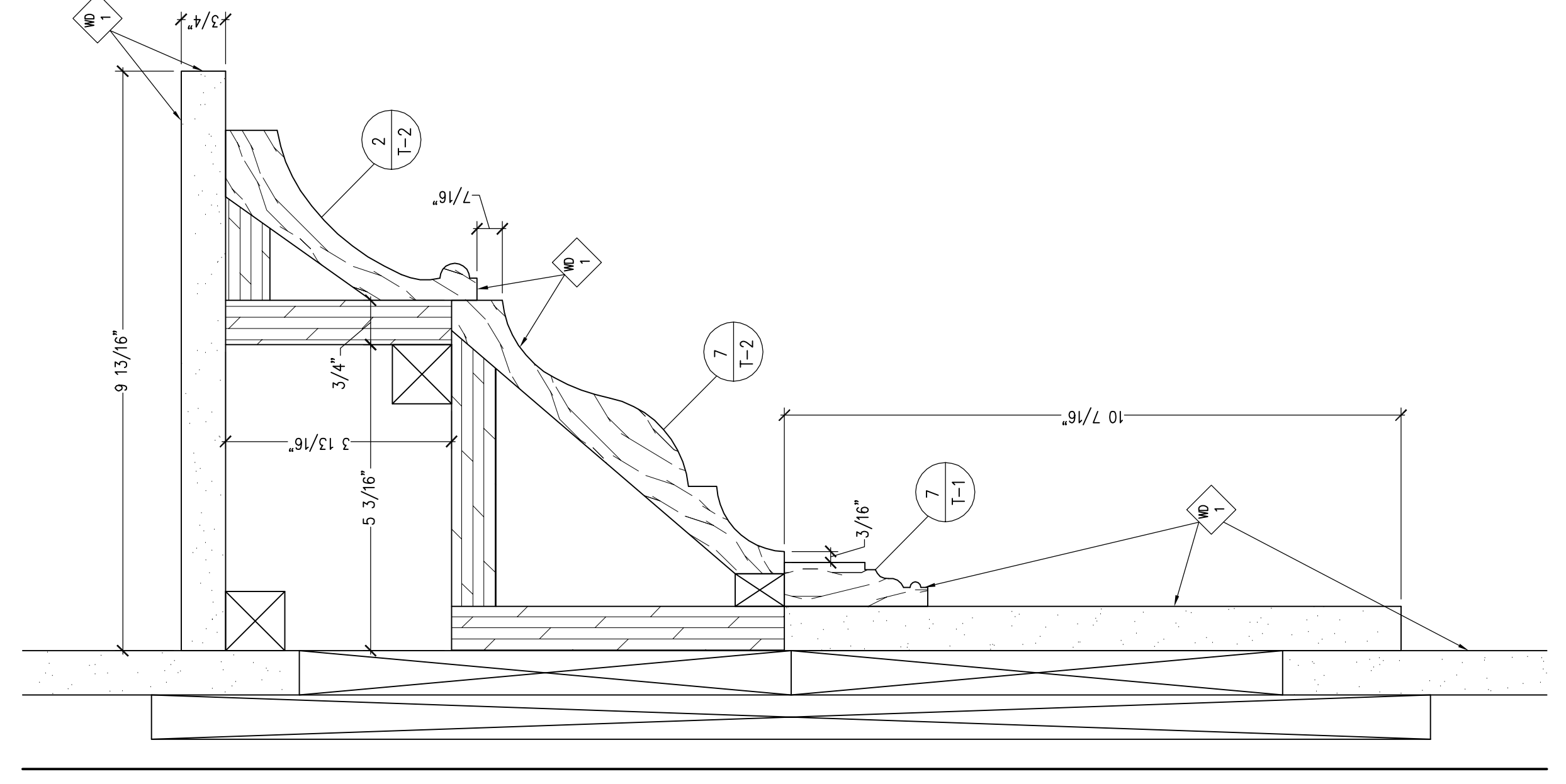
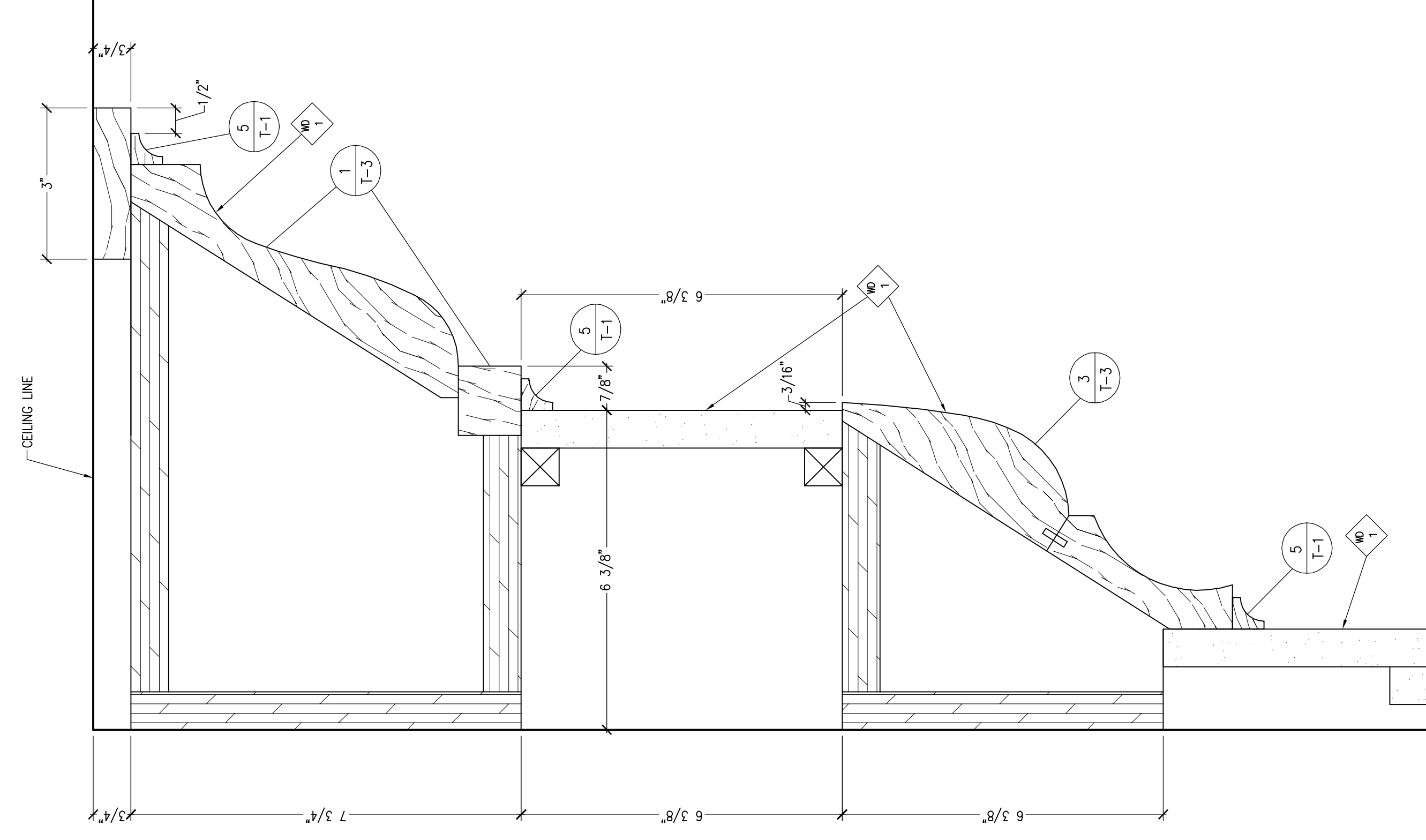
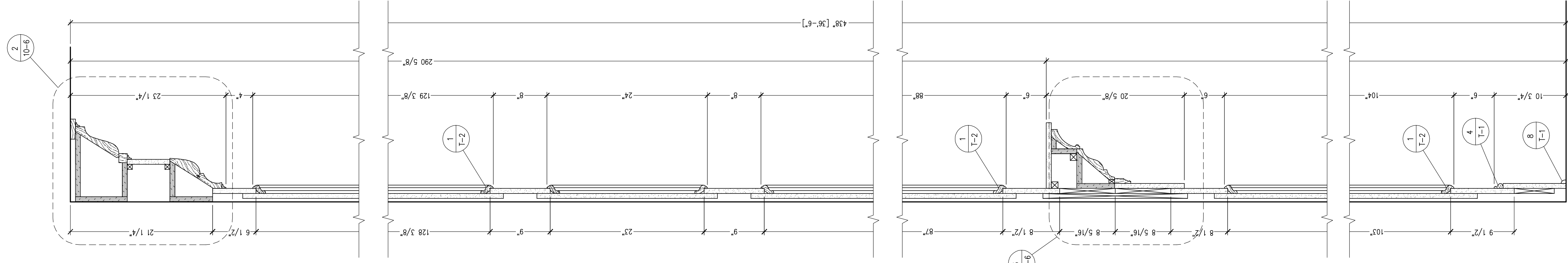


4 HORIZONTAL SECTION
 10-3 SCALE: 1-1/2" = 1'- 0" REF: NONE

PROJECT NO.
 CUTBILL NO.
 PSI WORK ORDER NO.
 SCALE AS NOTED
 DRAWN BY DATE
 TM 10/14/05
 DELIVERY DATE

REVISIONS		
NO.	DATE	DESCRIPTION
1		
2		
3		
4		
5		
6		
7		
8		
9		
10		
11		
12		

SHEET NO.
 10-4
 PRELIMINARY



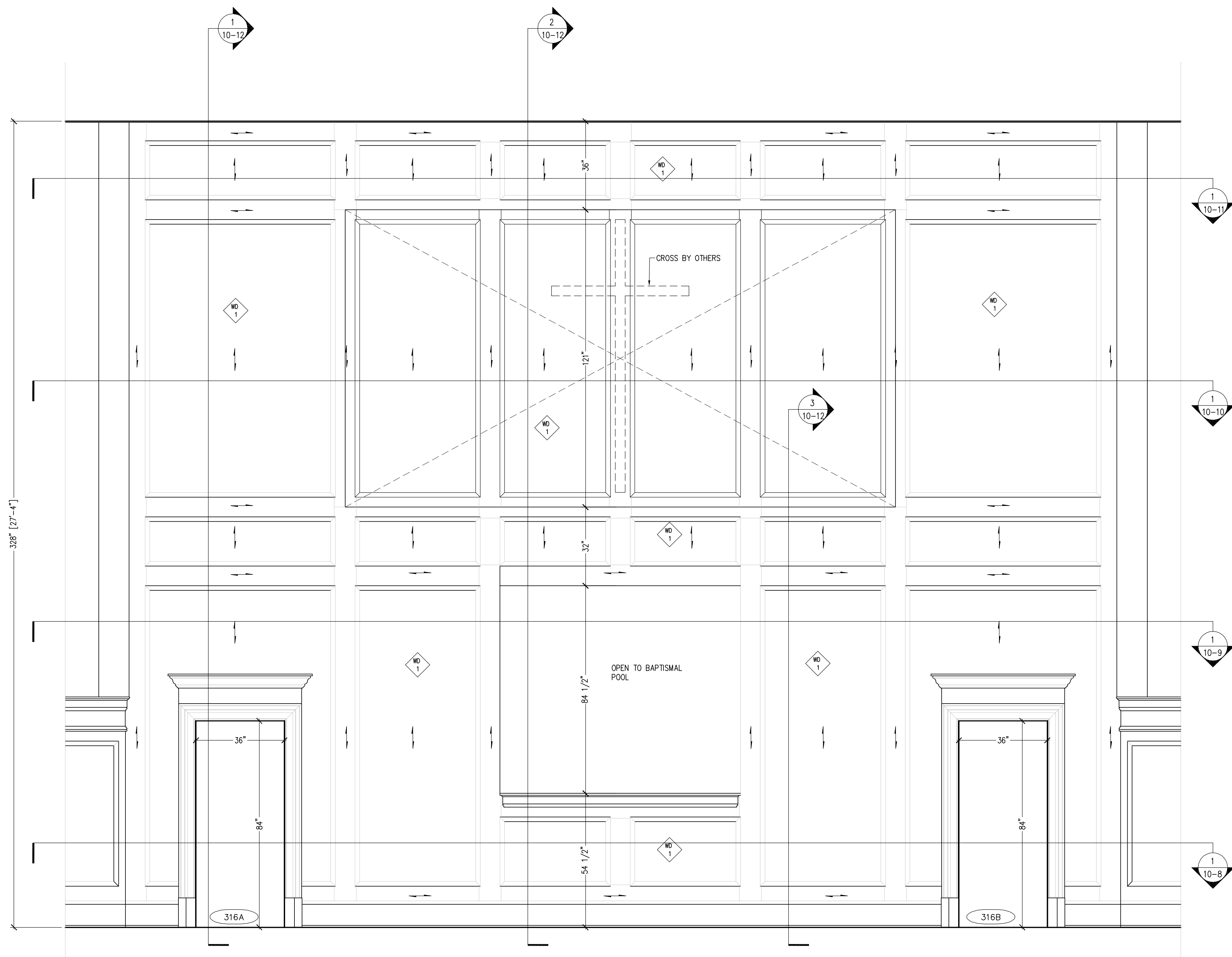
REVISIONS		
NO.	DATE	DESCRIPTION
1		
2		
3		
4		
5		
6		
7		
8		
9		
10		
11		
12		

SHEET NO. 10-6
PRELIMINARY

WALL PANELS AT CHOIR LOFT

PROJECT NO.
CUTBILL NO.
PSI WORK ORDER NO.
SCALE AS NOTED
DRAWN BY TM DATE 10/14/05
DELIVERY DATE

WALL PANELS AT CHOIR LOFT



1 ELEVATION SOUTH EAST WALL
 10-7 SCALE: 1/2"=12" REF: A1/A612

PROJECT NO.

CUTBILL NO.

PSI WORK ORDER NO.

SCALE
 AS NOTED

DRAWN BY DATE
 TM 10/17/05

DELIVERY DATE

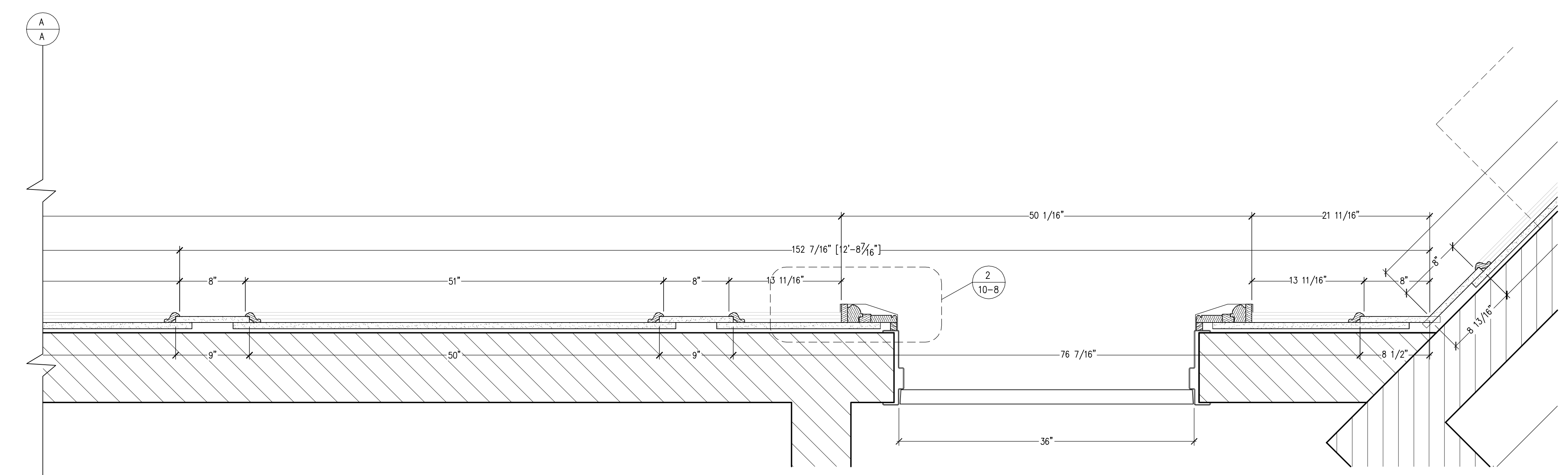
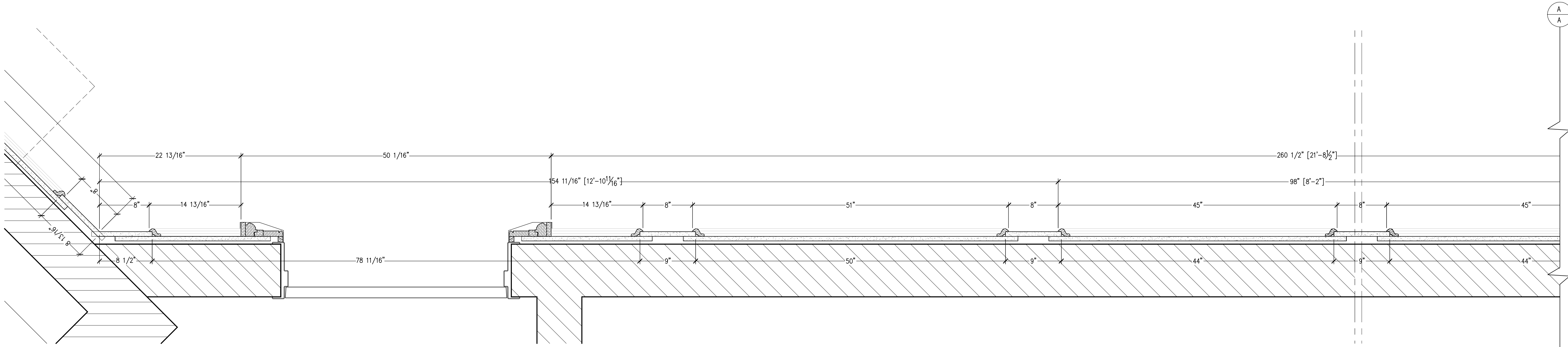
REVISIONS		
NO.	DATE	DESCRIPTION
1		
2		
3		
4		
5		
6		
7		
8		
9		
10		
11		
12		

SHEET NO.

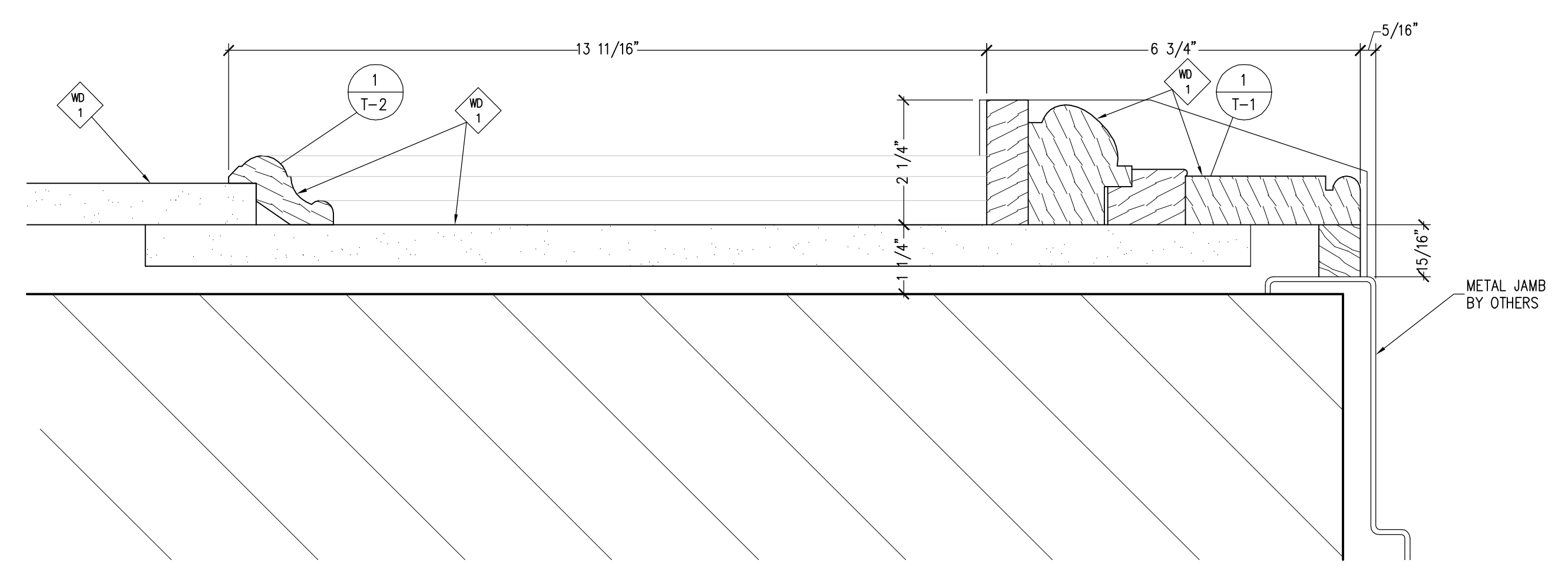
10-7

PRELIMINARY

WALL PANELS AT CHOIR LOFT



1 HORIZONTAL SECTION
10-8 SCALE: 1-1/2" = 1'-0" REF: NONE

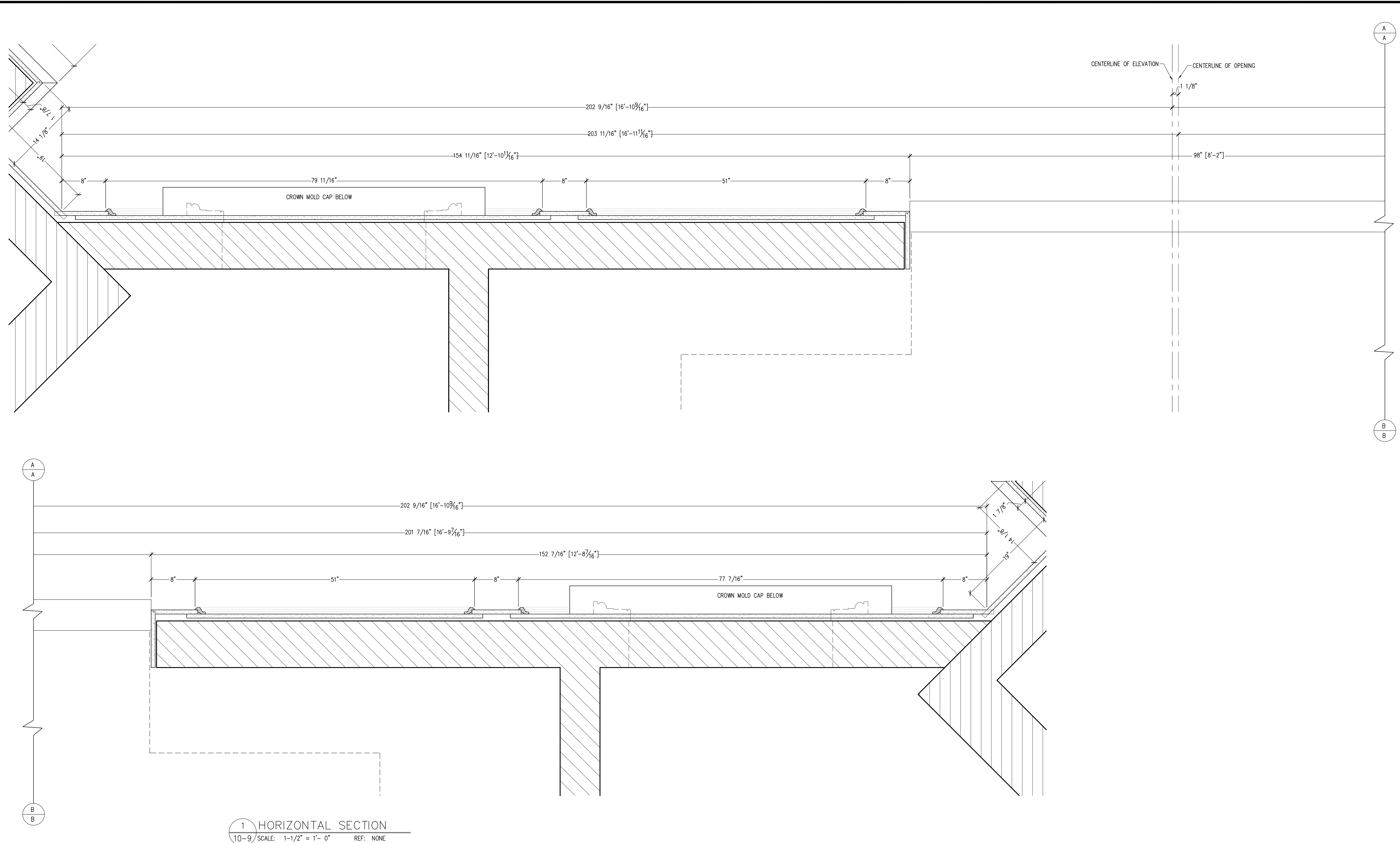


2 DOOR JAMB DETAIL
10-8 SCALE: 6" = 1'-0" REF: NONE

PROJECT NO.
CUTBILL NO.
PSI WORK ORDER NO.
SCALE
AS NOTED
DRAWN BY
TM
DATE
10/17/05
DELIVERY DATE

REVISIONS		
NO.	DATE	DESCRIPTION
1		
2		
3		
4		
5		
6		
7		
8		
9		
10		
11		
12		

SHEET NO.
10-8
PRELIMINARY



1 HORIZONTAL SECTION
 10-9 / SCALE: 1-1/2" = 1'-0" REF: NONE

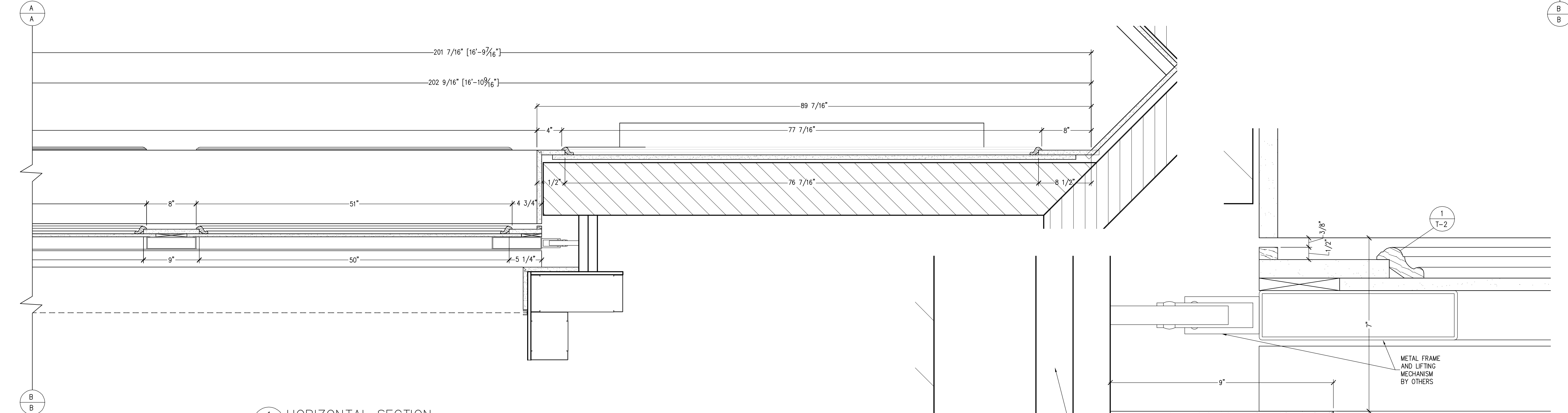
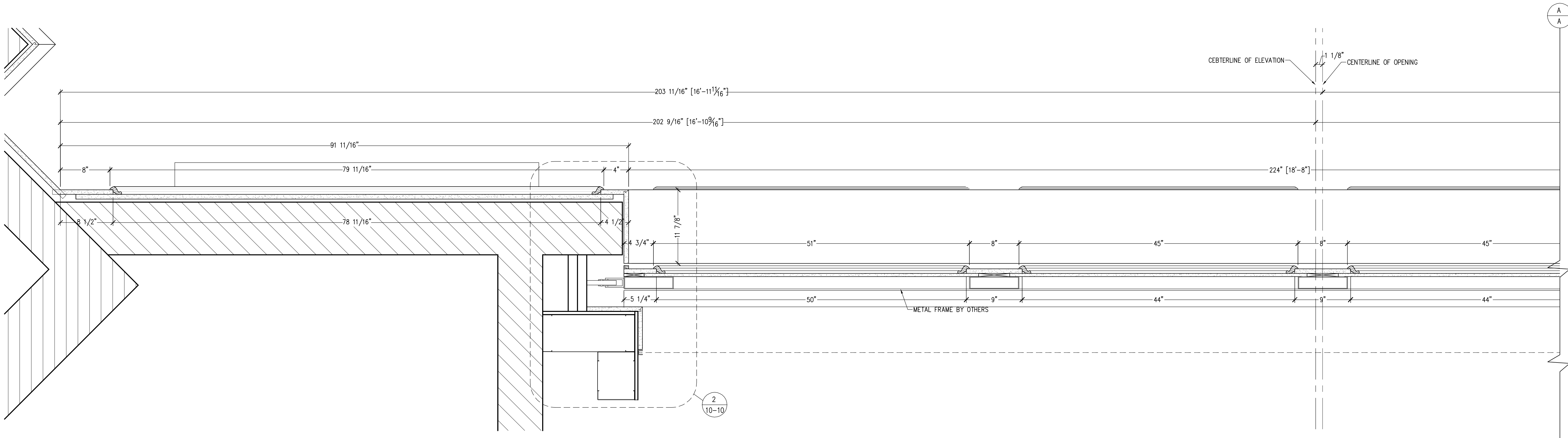
WALL PANELS AT CHOIR LOFT

PROJECT NO.	
CUTBILL NO.	
PSI WORK ORDER NO.	
SCALE AS NOTED	
DRAWN BY TM	DATE 10/17/05
DELIVERY DATE	

REVISIONS		
NO.	DATE	DESCRIPTION
1		
2		
3		
4		
5		
6		
7		
8		
9		
10		
11		
12		

SHEET NO.
 10-9
 PRELIMINARY

WALL PANELS AT CHOIR LOFT



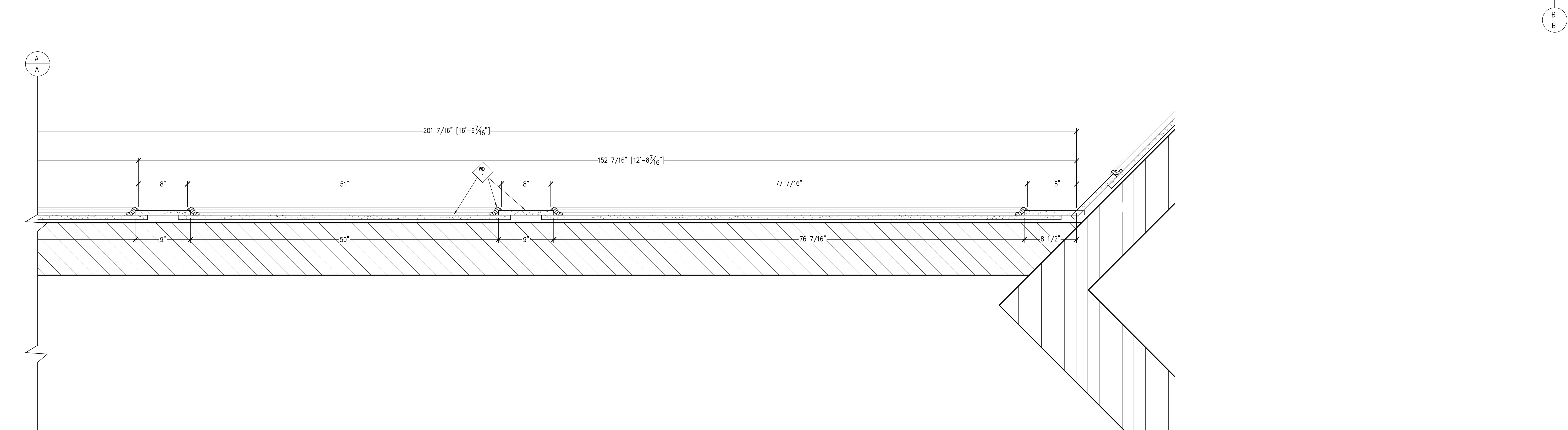
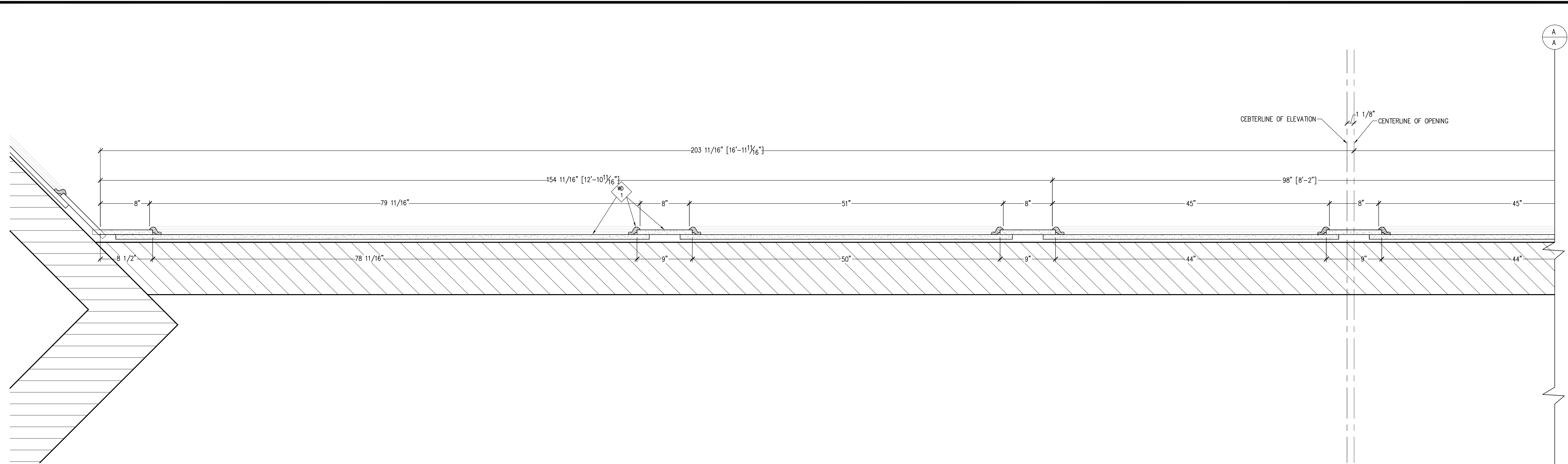
1 HORIZONTAL SECTION
10-10 SCALE: 1-1/2" = 1'-0" REF: N8/A613

2 TRIM DETAIL
10-10 SCALE: 6" = 1'-0" REF: G5/A613

PROJECT NO.
CUTBILL NO.
PSI WORK ORDER NO.
SCALE AS NOTED
DRAWN BY TM DATE 10/17/05
DELIVERY DATE

REVISIONS		
NO.	DATE	DESCRIPTION
1		
2		
3		
4		
5		
6		
7		
8		
9		
10		
11		
12		

SHEET NO.
10-10
PRELIMINARY



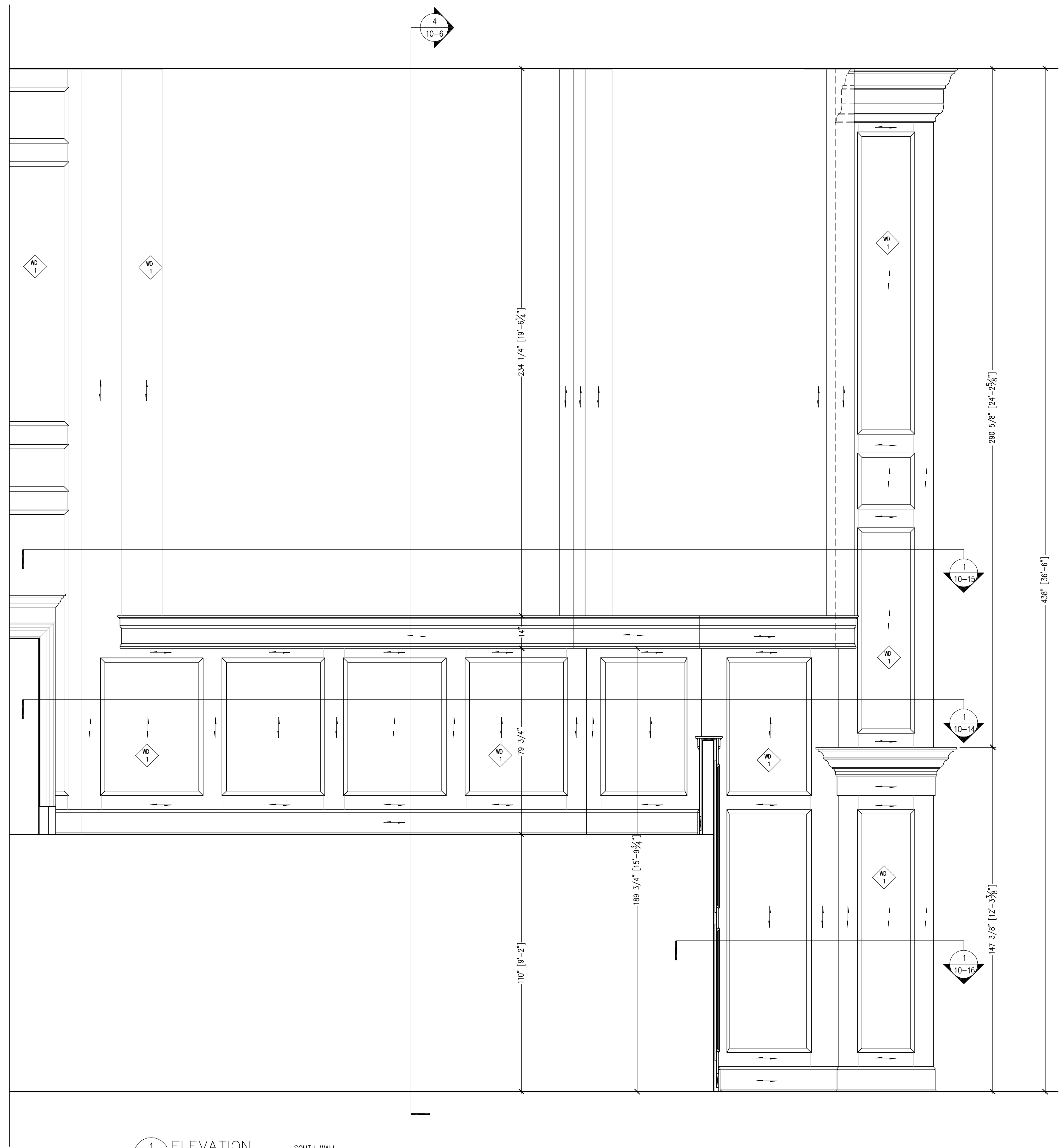
1 HORIZONTAL SECTION
 10-11 SCALE: 1-1/2" = 1'-0" REF: NONE

WALL PANELS AT CHOIR LOFT

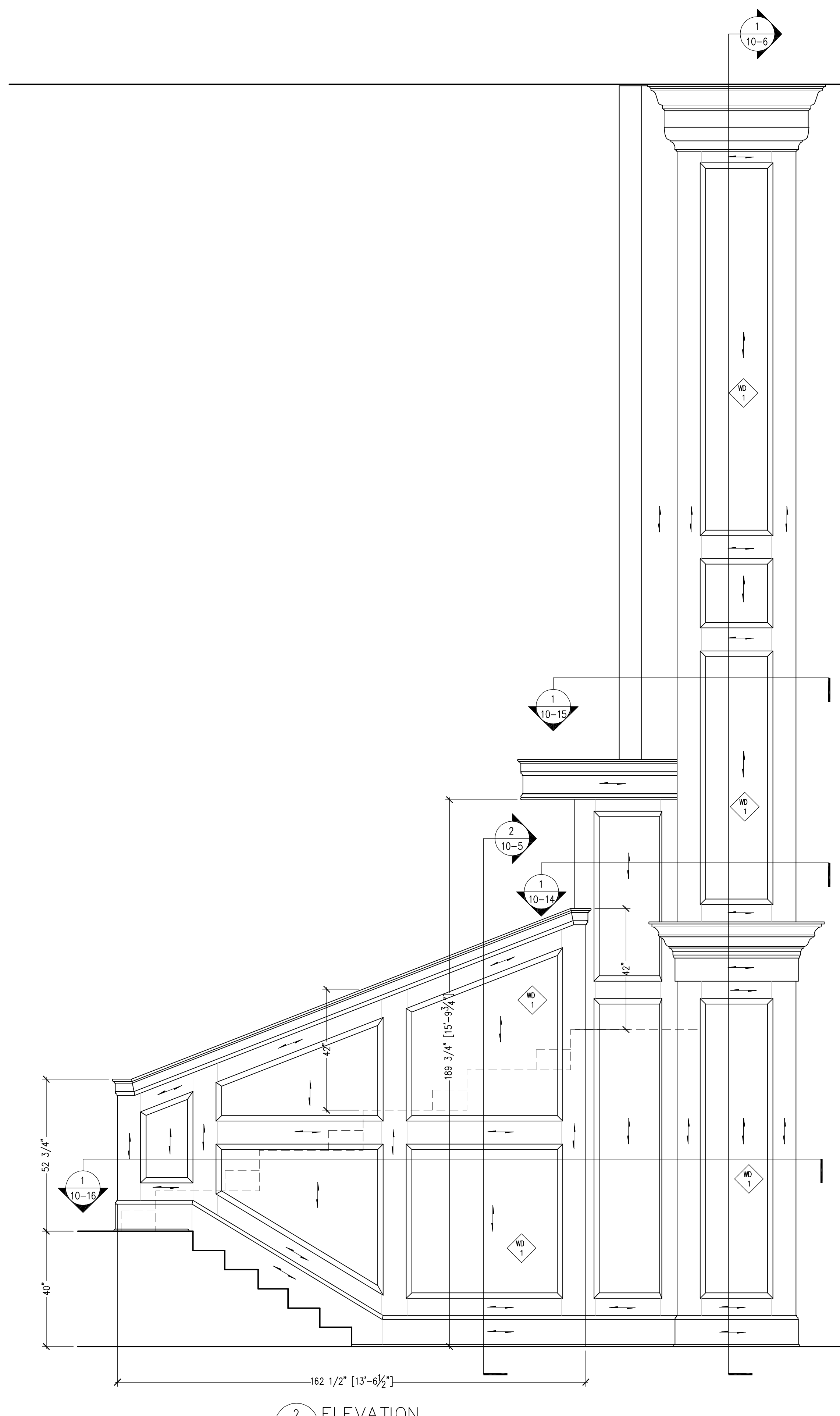
PROJECT NO.
 CUTBILL NO.
 PSI WORK ORDER NO.
 SCALE AS NOTED
 DRAWN BY: TM DATE: 10/17/05
 DELIVERY DATE:

REVISIONS		
NO.	DATE	DESCRIPTION
1		
2		
3		
4		
5		
6		
7		
8		
9		
10		
11		
12		

SHEET NO.
 10-11
 PRELIMINARY



1 ELEVATION SOUTH WALL
 10-13 SCALE: 1/2"=12" REF: NONE



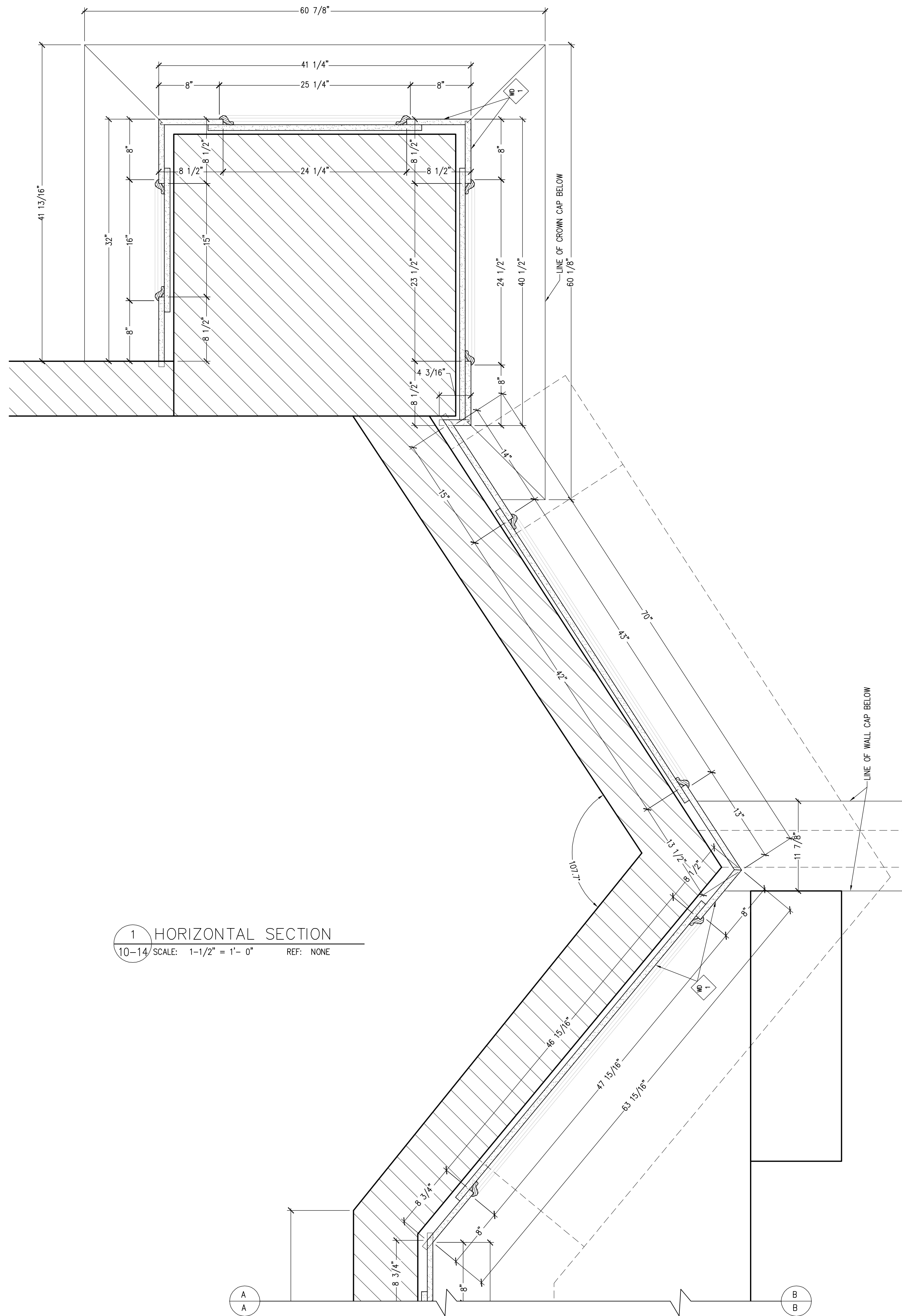
2 ELEVATION WEST WALL
 10-13 SCALE: 1/2"=12" REF: A1/A611

WALL PANELS AT CHOIR LOFT

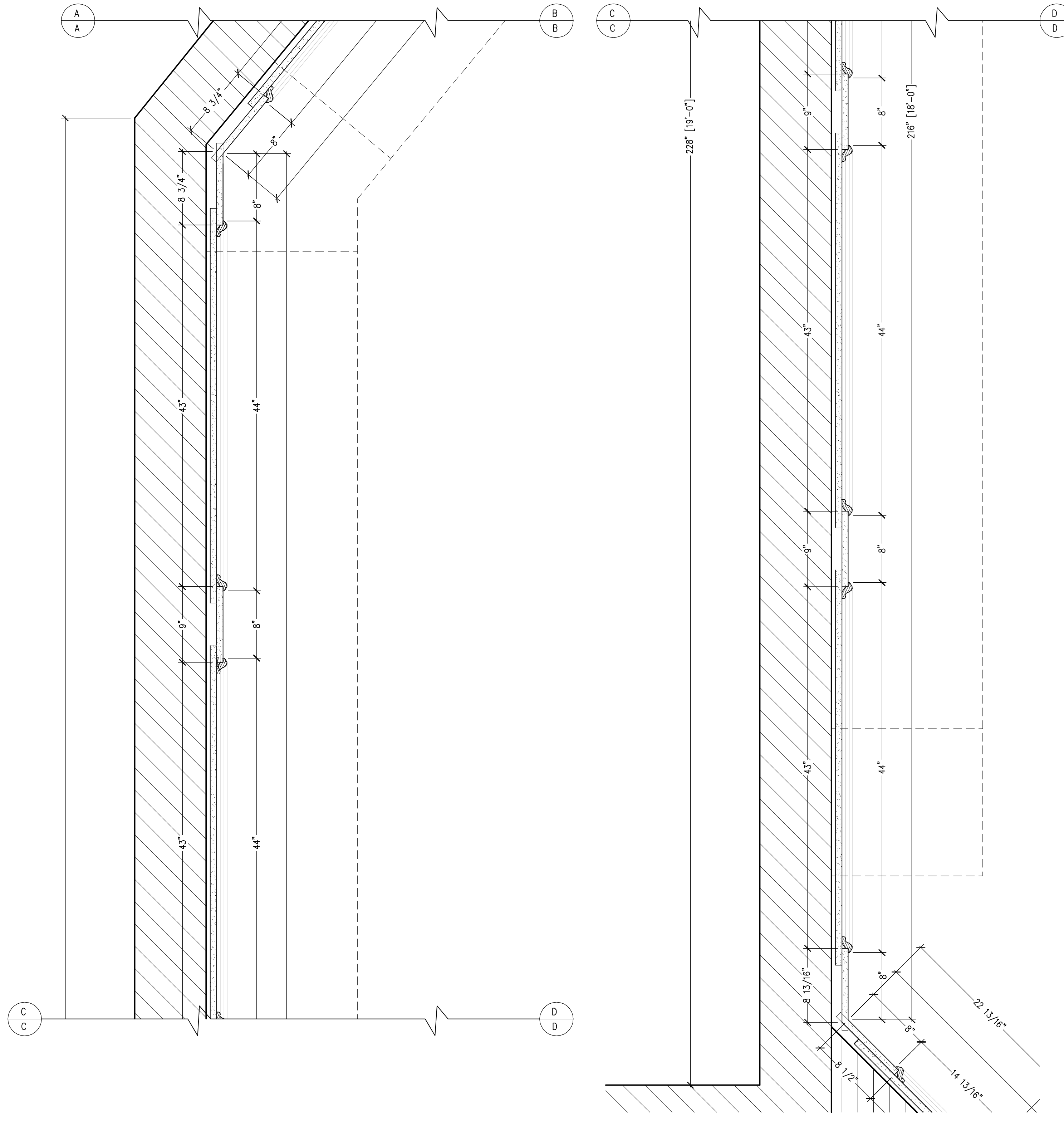
PROJECT NO.
 CUTBILL NO.
 PSI WORK ORDER NO.
 SCALE AS NOTED
 DRAWN BY DATE
 TM 10/18/05
 DELIVERY DATE

REVISIONS		
NO.	DATE	DESCRIPTION
1		
2		
3		
4		
5		
6		
7		
8		
9		
10		
11		
12		

SHEET NO.
 10-13
 PRELIMINARY



1 HORIZONTAL SECTION
 10-14 SCALE: 1-1/2" = 1'-0" REF: NONE

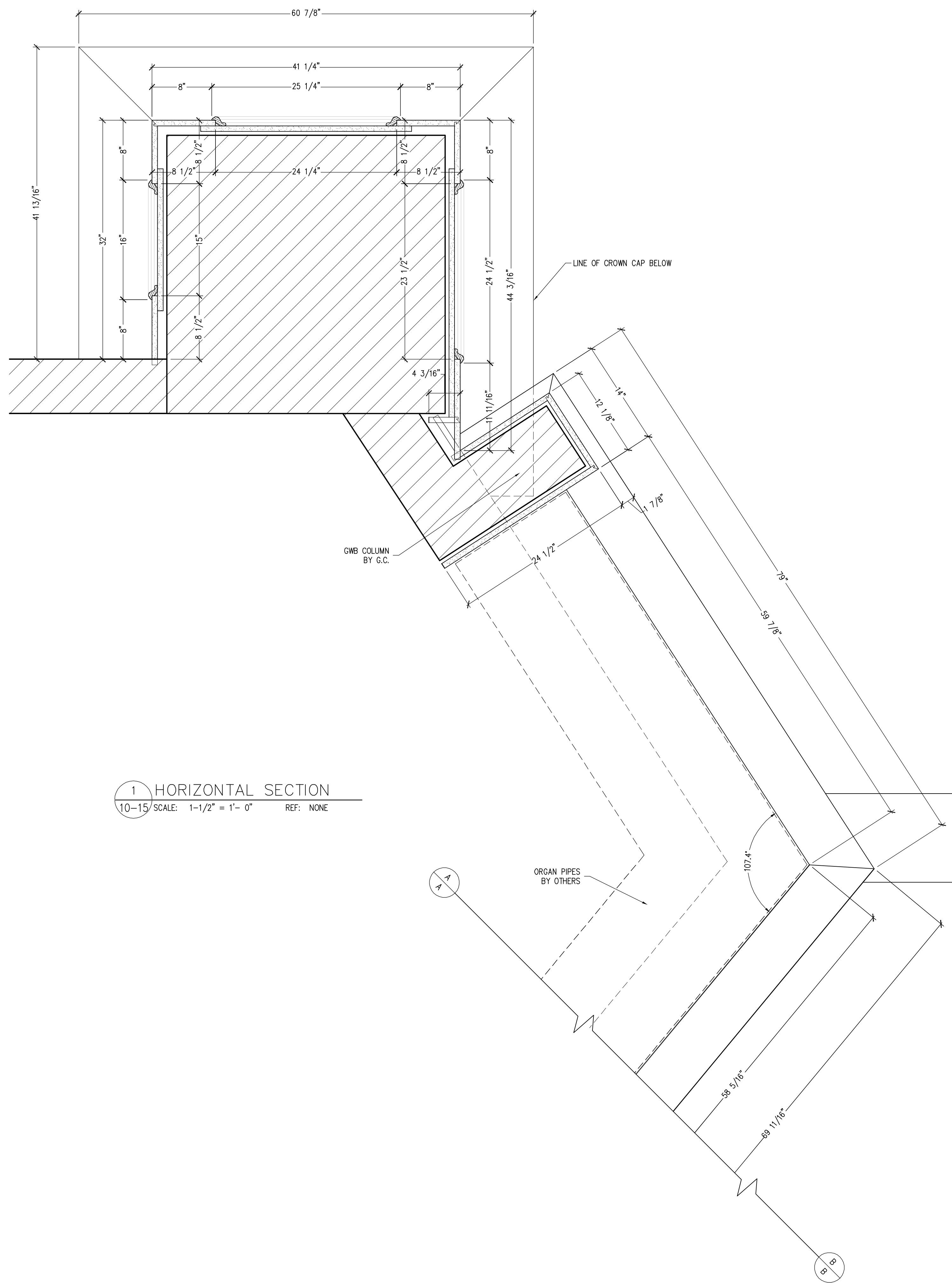


WALL PANELS AT CHOIR LOFT

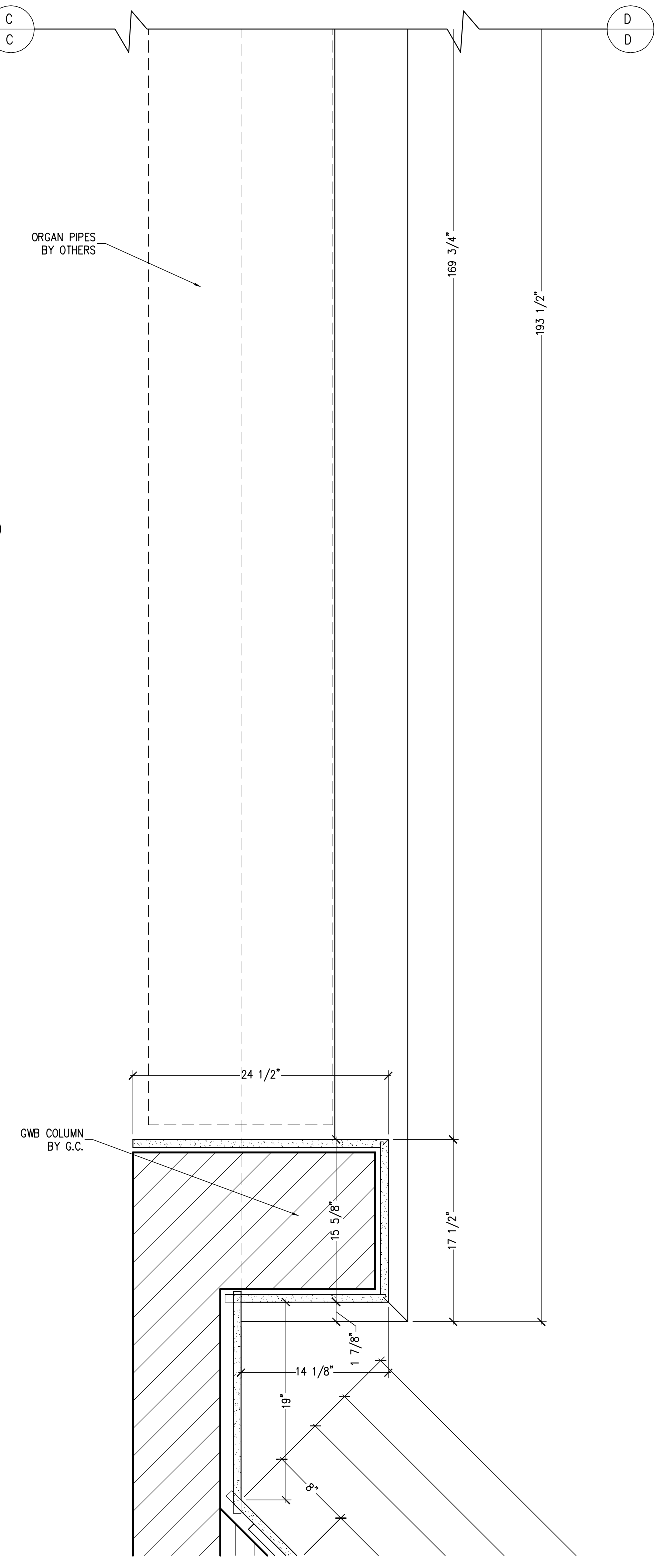
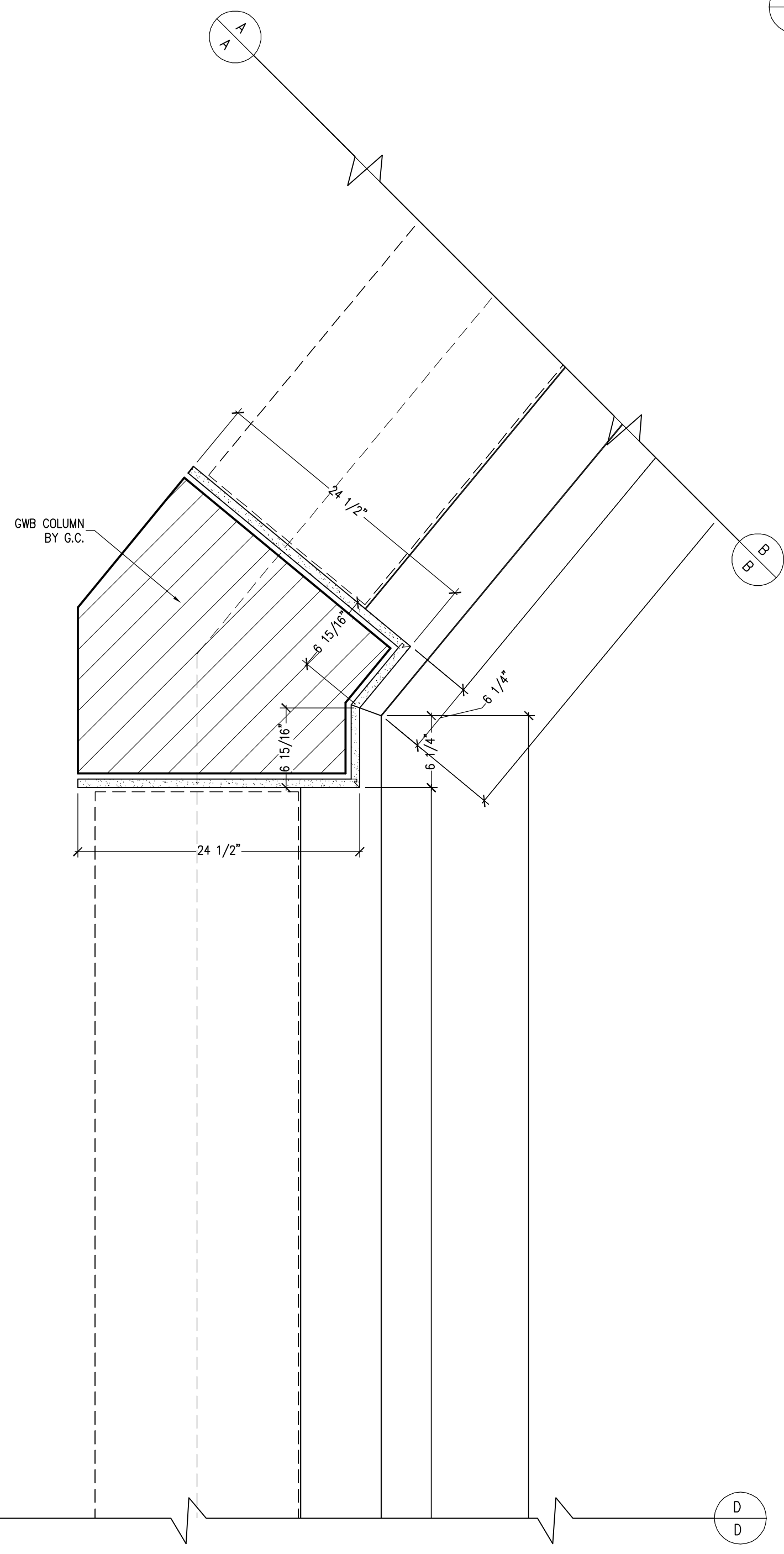
PROJECT NO.
 CUTBILL NO.
 PSI WORK ORDER NO.
 SCALE AS NOTED
 DRAWN BY: TM DATE: 10/18/05
 DELIVERY DATE:

REVISIONS		
NO.	DATE	DESCRIPTION
1		
2		
3		
4		
5		
6		
7		
8		
9		
10		
11		
12		

SHEET NO.
 10-14
 PRELIMINARY



1 HORIZONTAL SECTION
 10-15 SCALE: 1-1/2" = 1'-0" REF: NONE

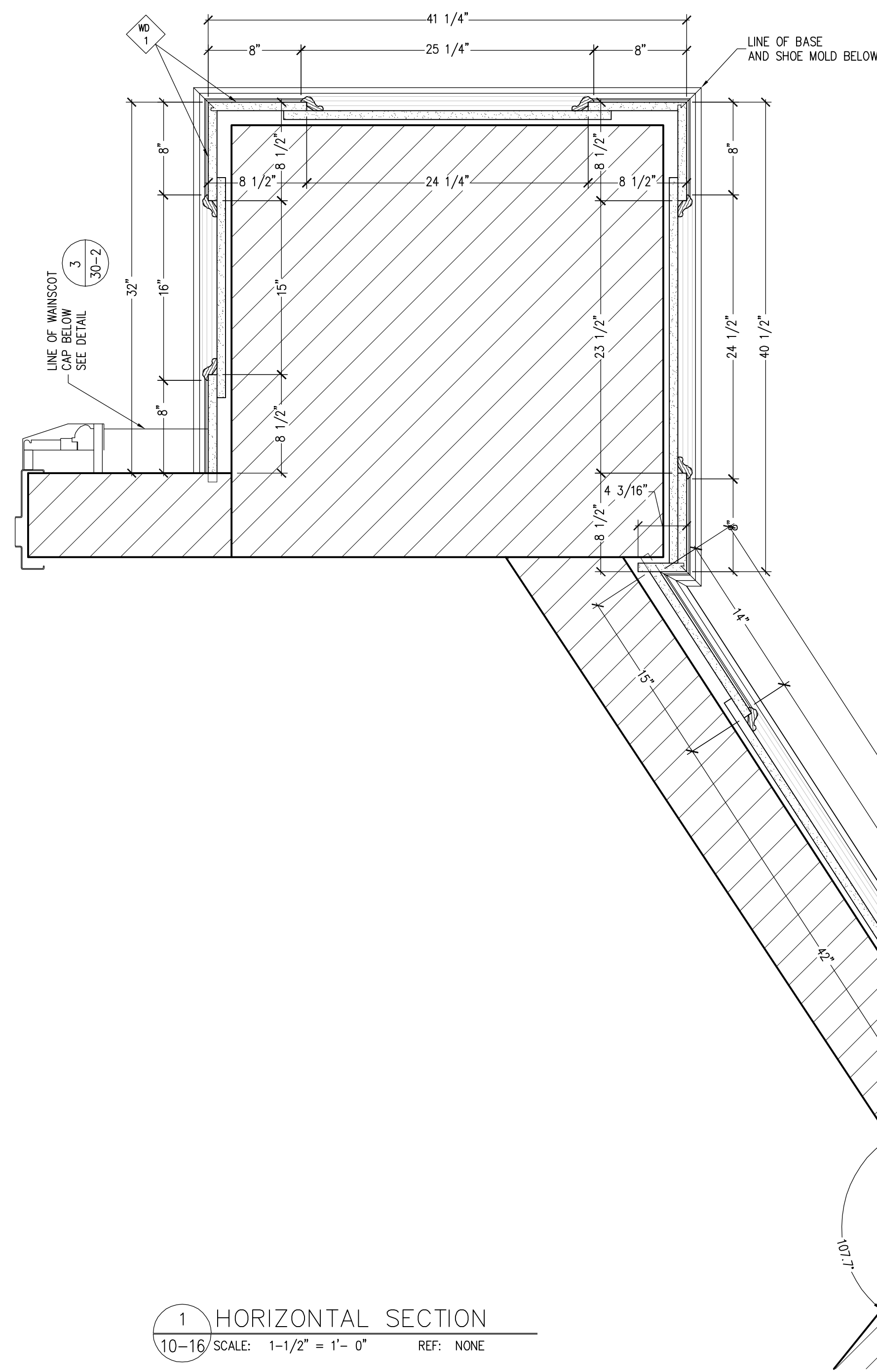


WALL PANELS AT CHOIR LOFT

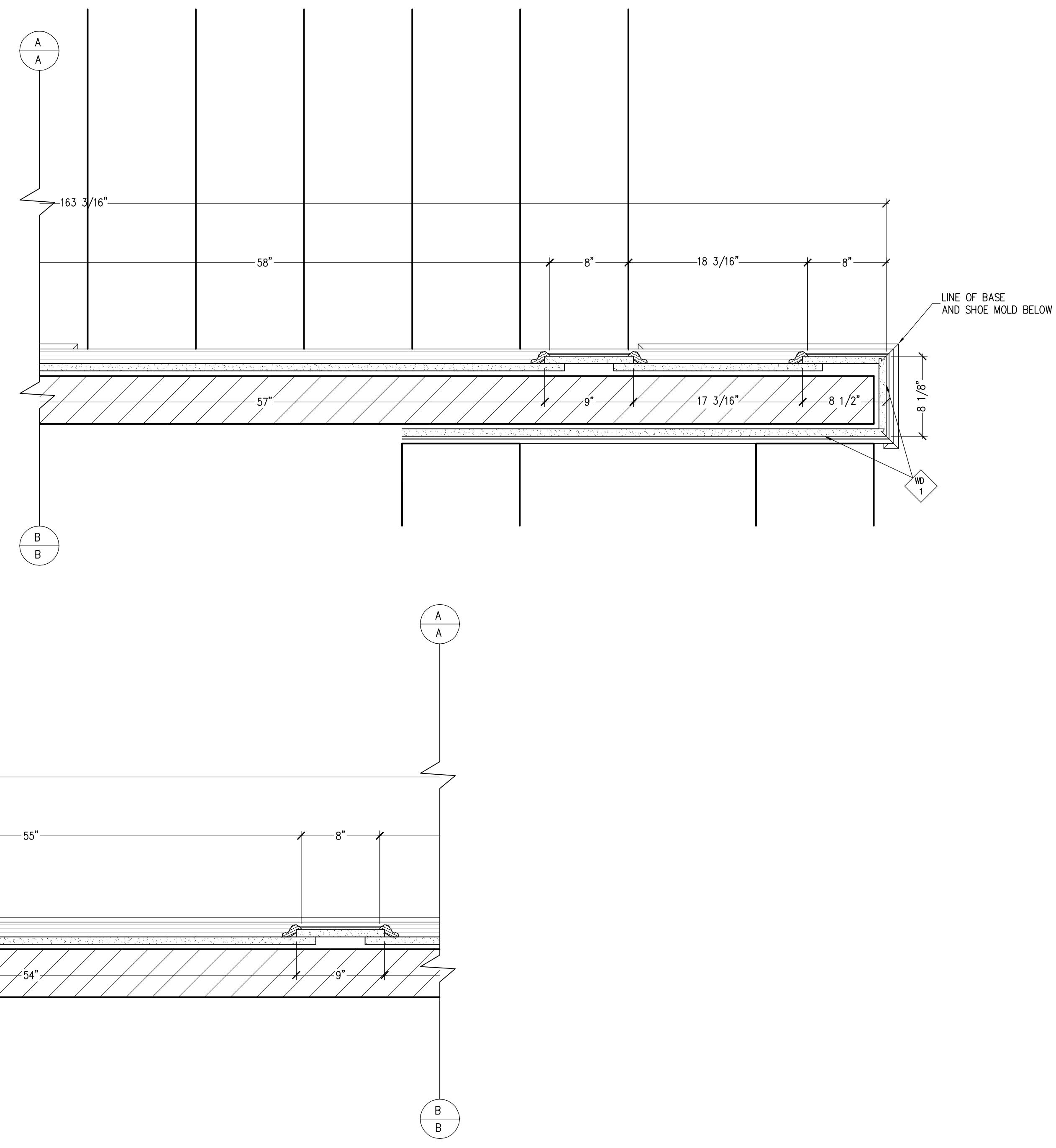
PROJECT NO.
 CUTBILL NO.
 PSI WORK ORDER NO.
 SCALE AS NOTED
 DRAWN BY DATE
 TM 10/18/05
 DELIVERY DATE

REVISIONS		
NO.	DATE	DESCRIPTION
1		
2		
3		
4		
5		
6		
7		
8		
9		
10		
11		
12		

SHEET NO.
 10-15
 PRELIMINARY



1 HORIZONTAL SECTION
10-16 SCALE: 1-1/2" = 1'-0" REF: NONE



WALL PANELS AT CHOIR LOFT

PROJECT NO.
CUTBILL NO.
PSI WORK ORDER NO.
SCALE
AS NOTED
DRAWN BY
TM
DATE
10/18/05
DELIVERY DATE

REVISIONS		
NO.	DATE	DESCRIPTION
1		
2		
3		
4		
5		
6		
7		
8		
9		
10		
11		
12		

SHEET NO.
10-16
PRELIMINARY