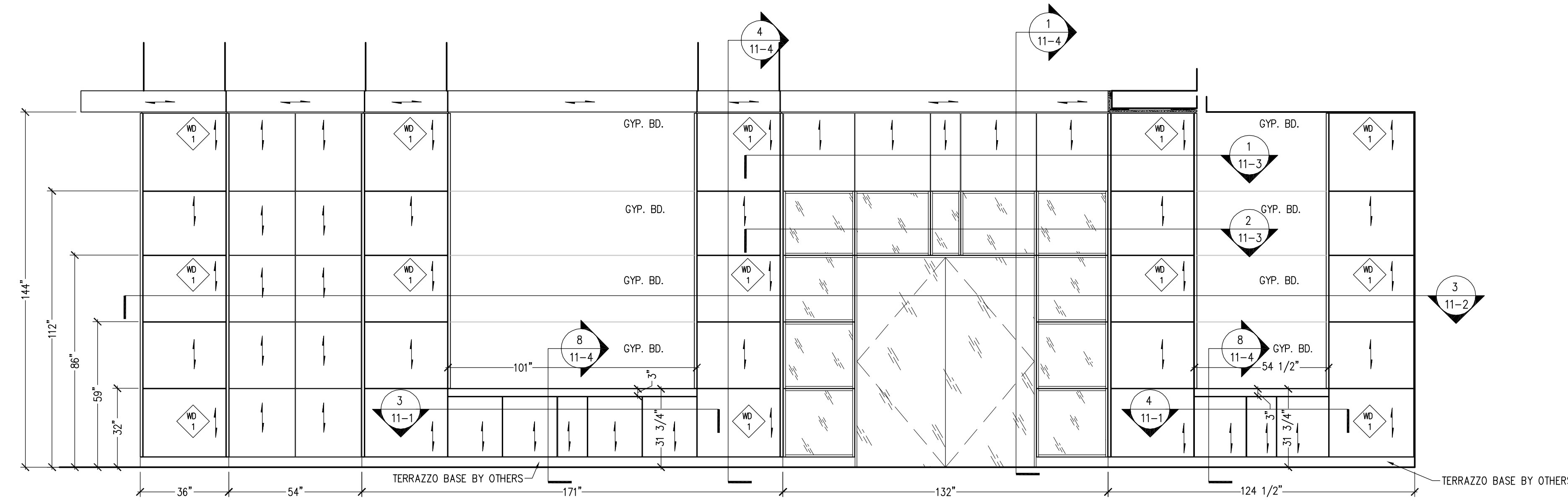
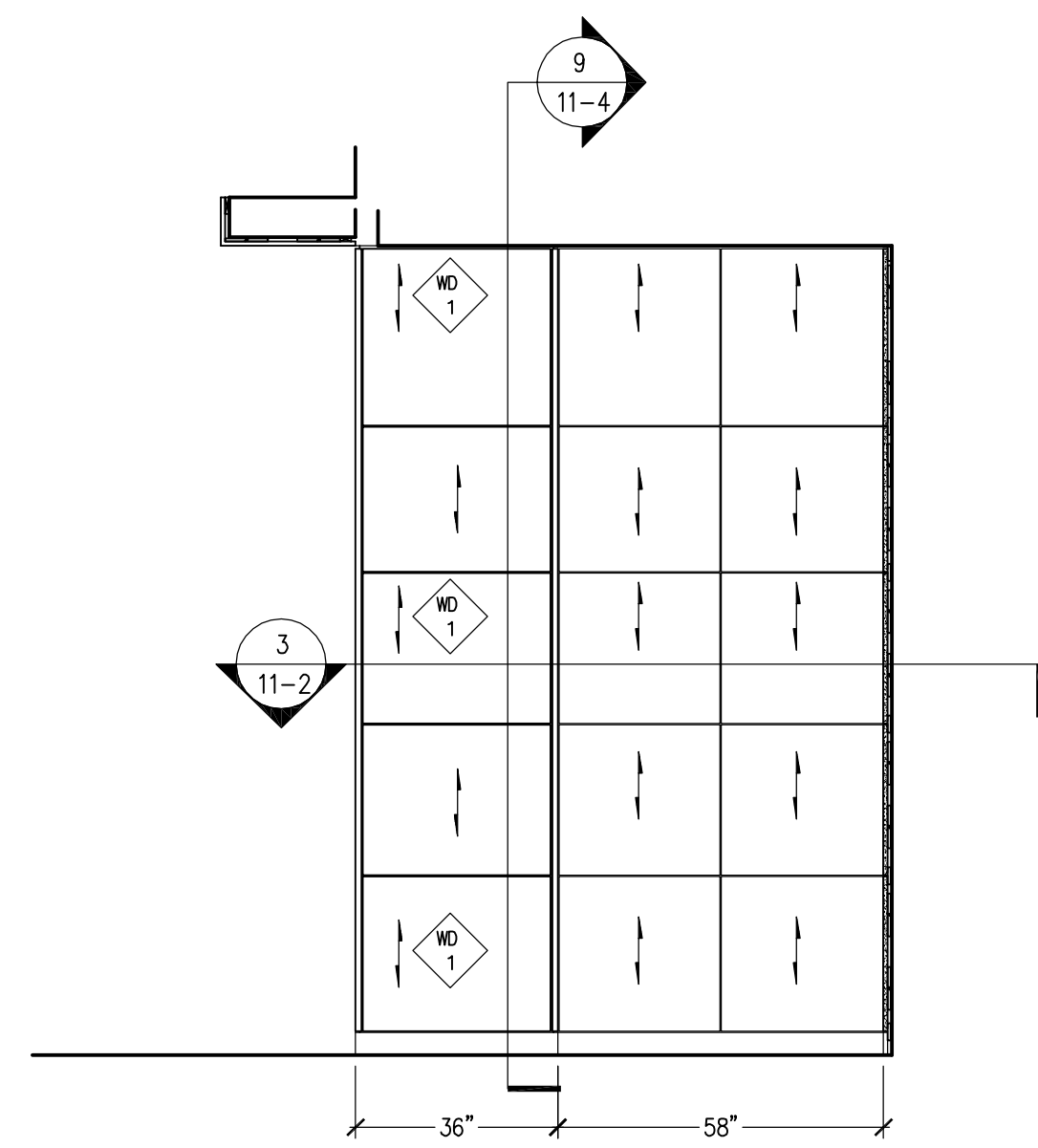


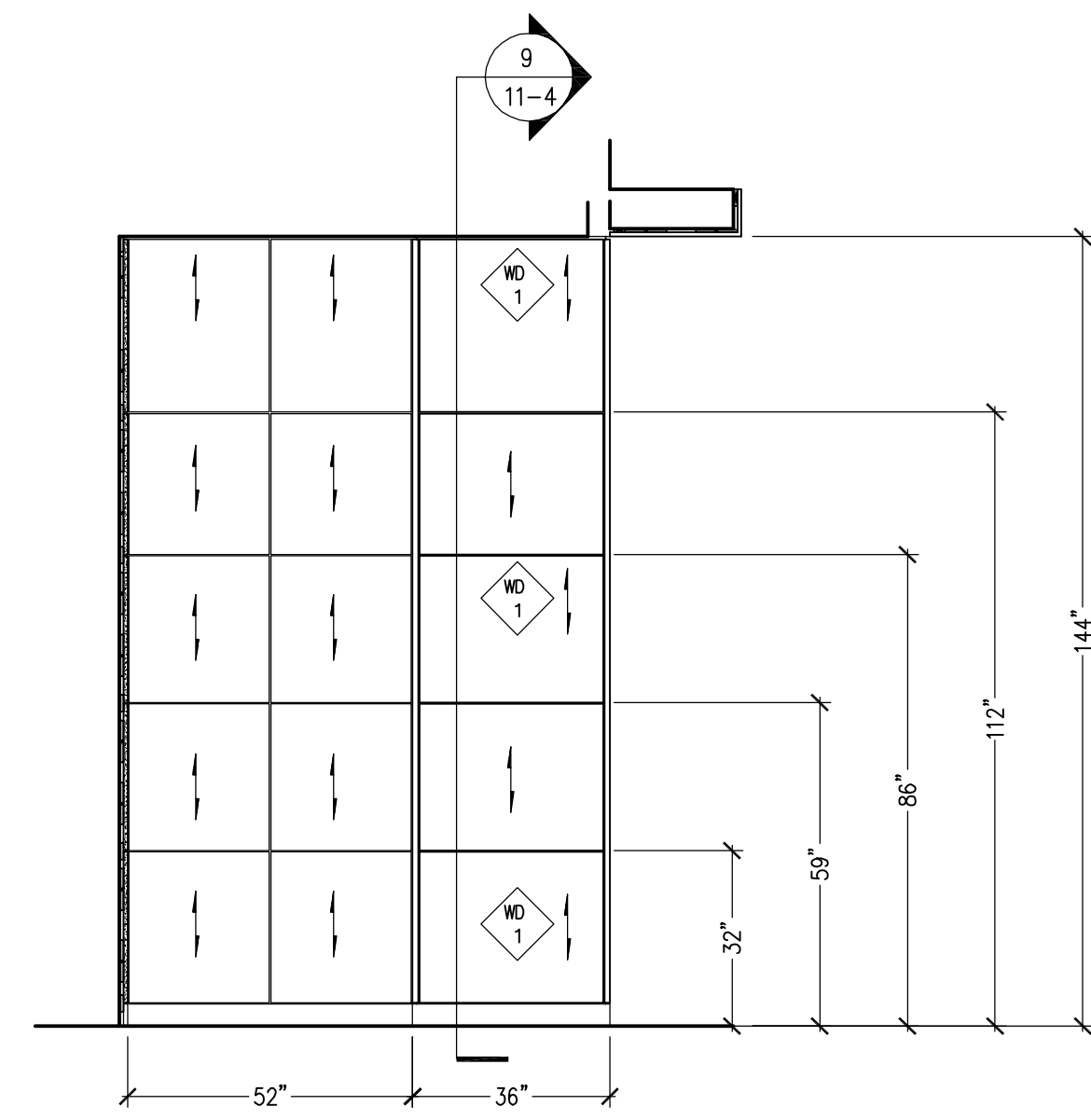
MATERIAL SPECIFICATIONS			
TYPE	DESCRIPTION	M.R.	
CORE	F.R. PARTICLE BOARD		
VENEER	RIFT CUT WHITE OAK		
SOLID	RIFT SAWN WHITE OAK		
FINISH	TO MATCH SAMPLE		
HARDWARE LIST			
QTY:	DESCRIPTION	M.R.	
INFORMATION SYSTEMS			
ITEM #	DESCRIPTION	CUST.	PROD.



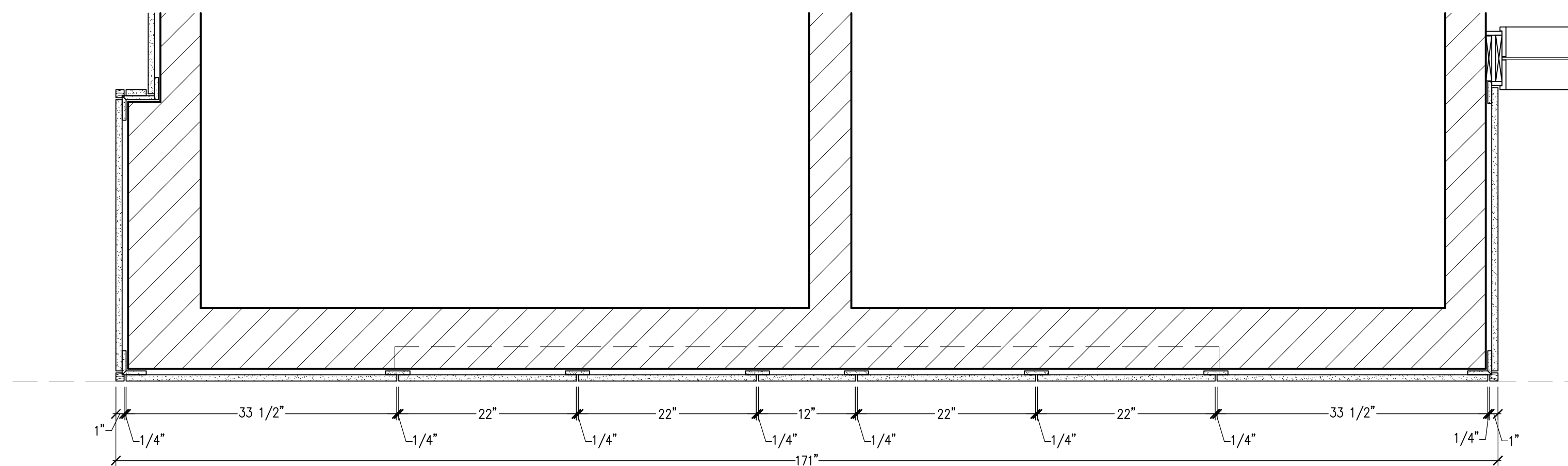
2 ELEVATION
11-1 SCALE: 3/8"=12"
WAITING RM 1001
REF: 1/A-410



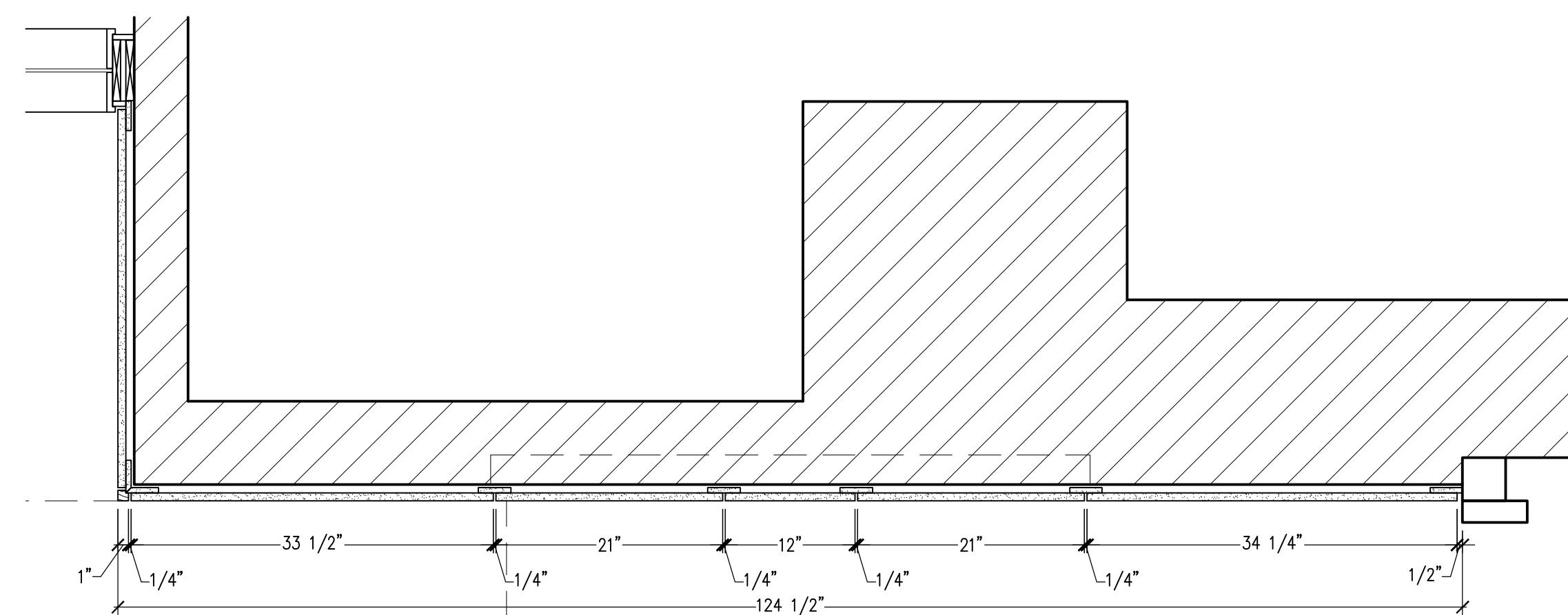
5 ELEVATION
11-1 SCALE: 3/8"=12"
WAITING RM 1029
REF: NONE



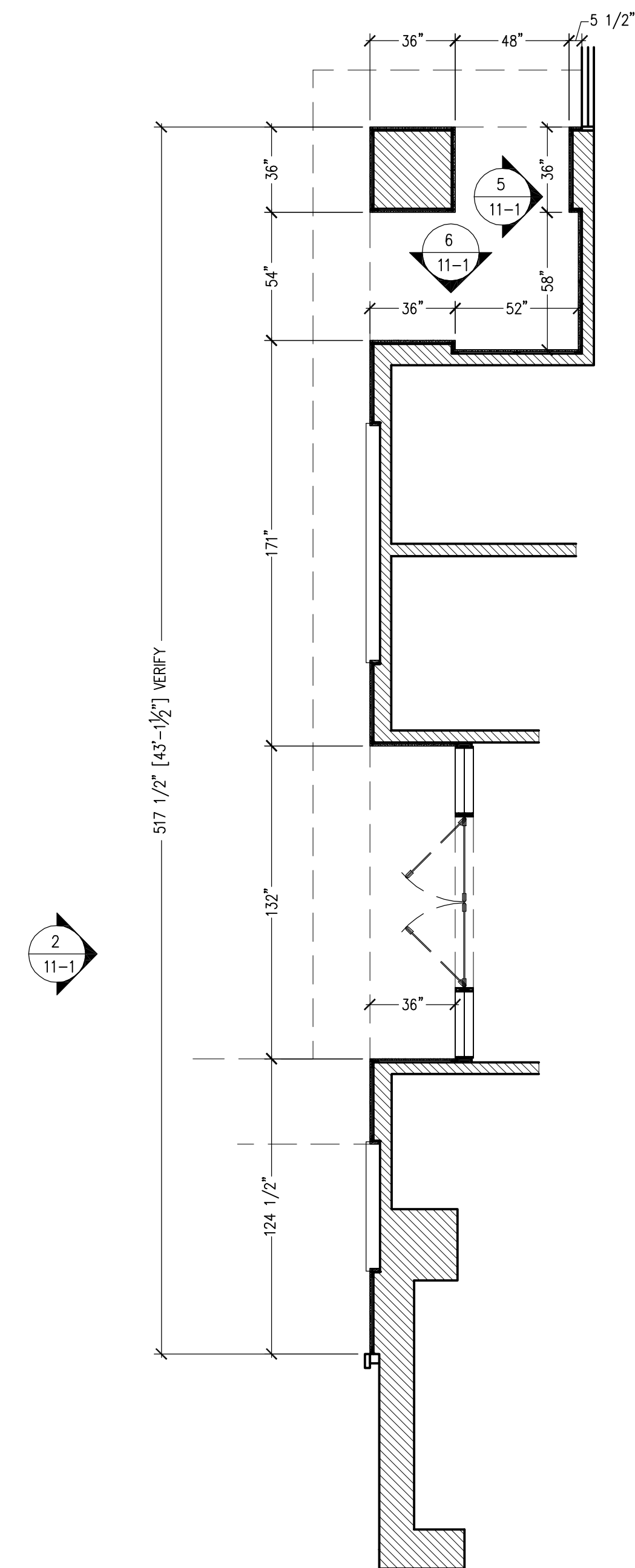
6 ELEVATION
11-1 SCALE: 3/8"=12"
WAITING RM 1029
REF: NONE



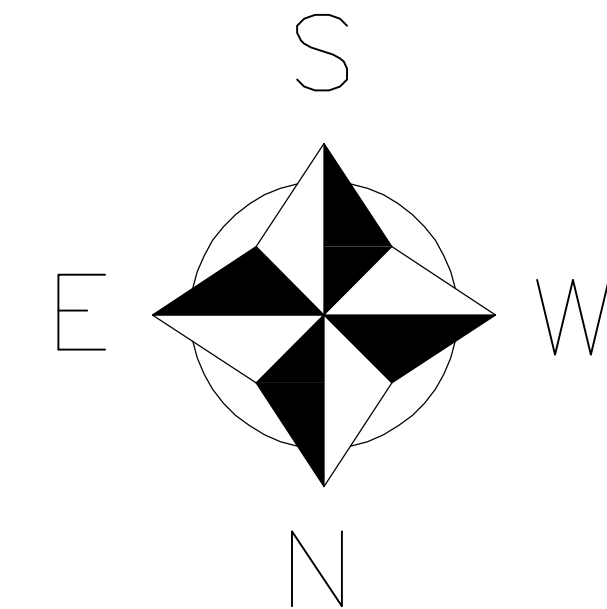
3 HORIZONTAL SECTION
11-1 SCALE: 1"=12"
REF: NONE



4 HORIZONTAL SECTION
11-1 SCALE: 1"=12"
REF: NONE



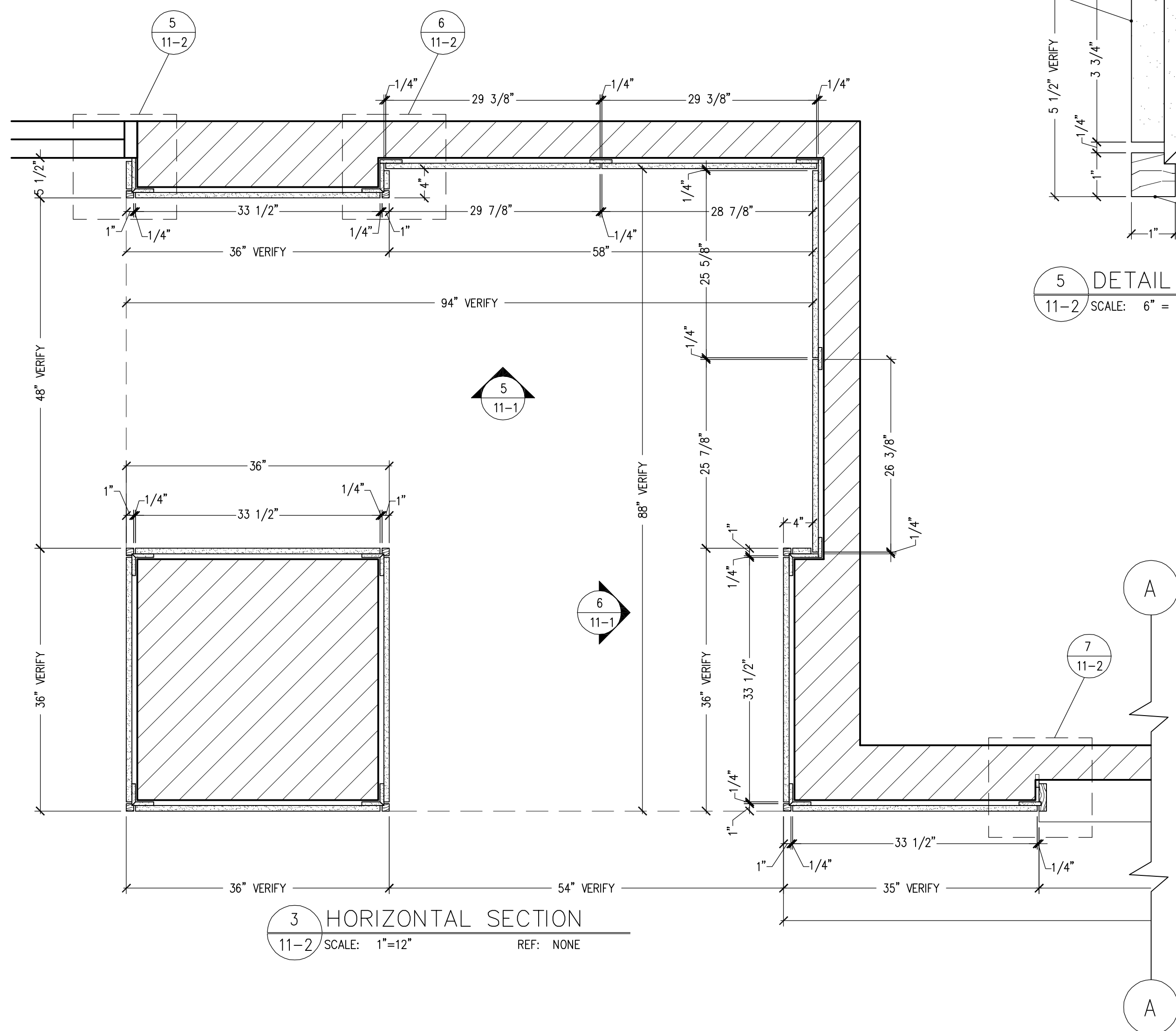
1 PLAN VIEW
11-1 SCALE: 1/4"=12"
WAITING RMS 1021 & 1033
REF: 1/A-111C



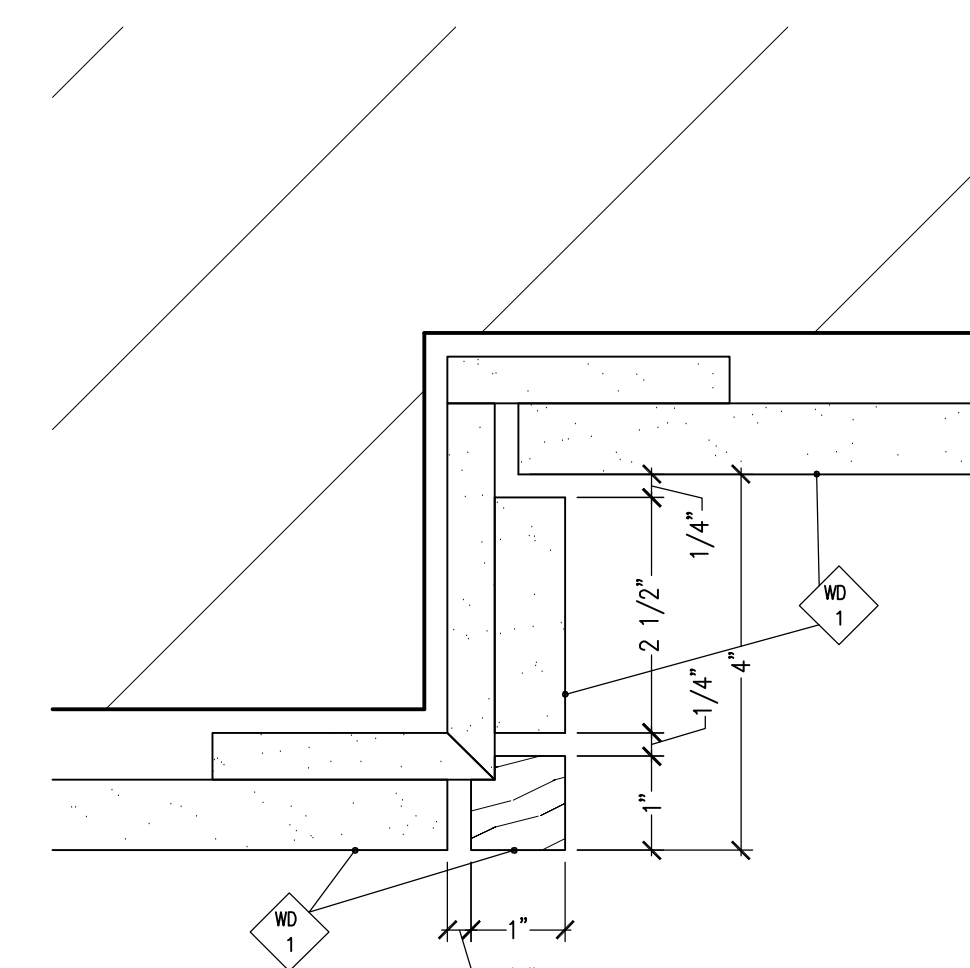
PROJECT NO.
CUTBILL NO.
PSI WORK ORDER NO.
SCALE
AS SHOWN
DRAWN BY
TM
DATE
06/05/06
DELIVERY DATE

REVISIONS		
NO.	DATE	DESCRIPTION
1		
2		
3		
4		
5		
6		
7		
8		
9		
10		
11		
12		

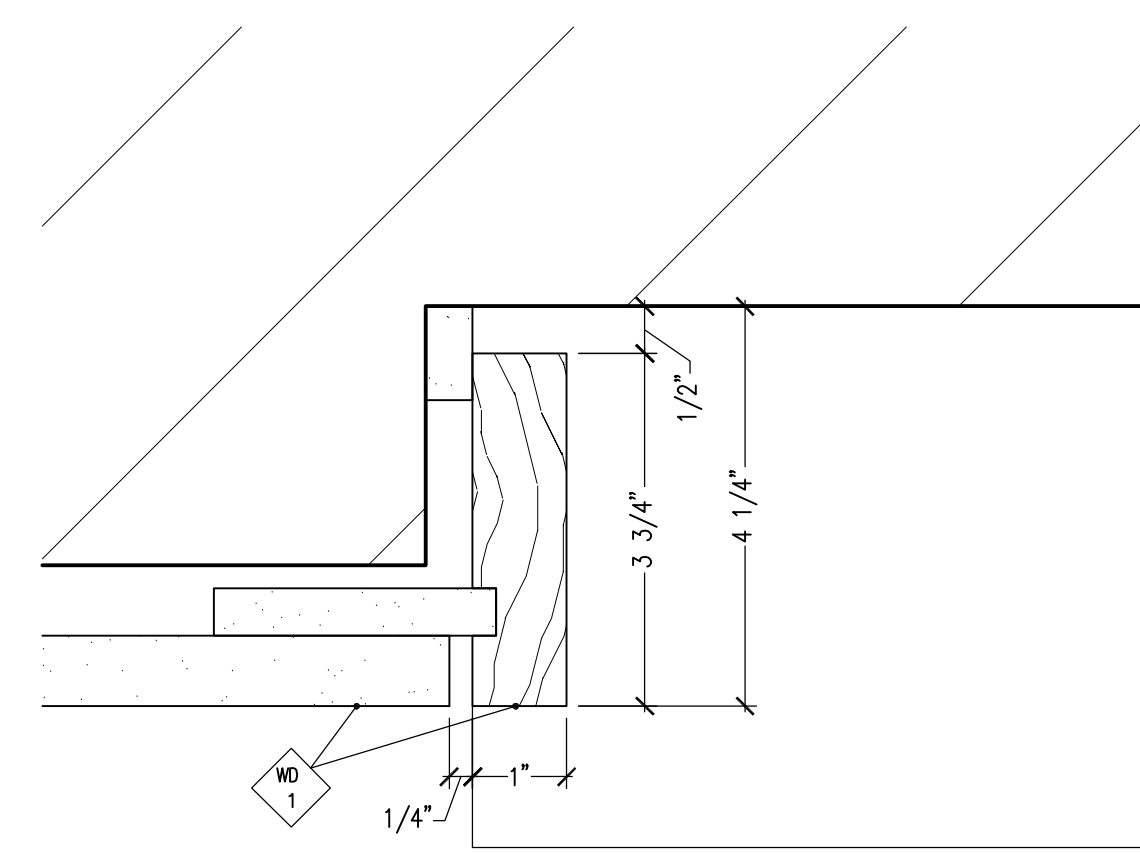
SHEET NO.
11-1
PRELIMINARY



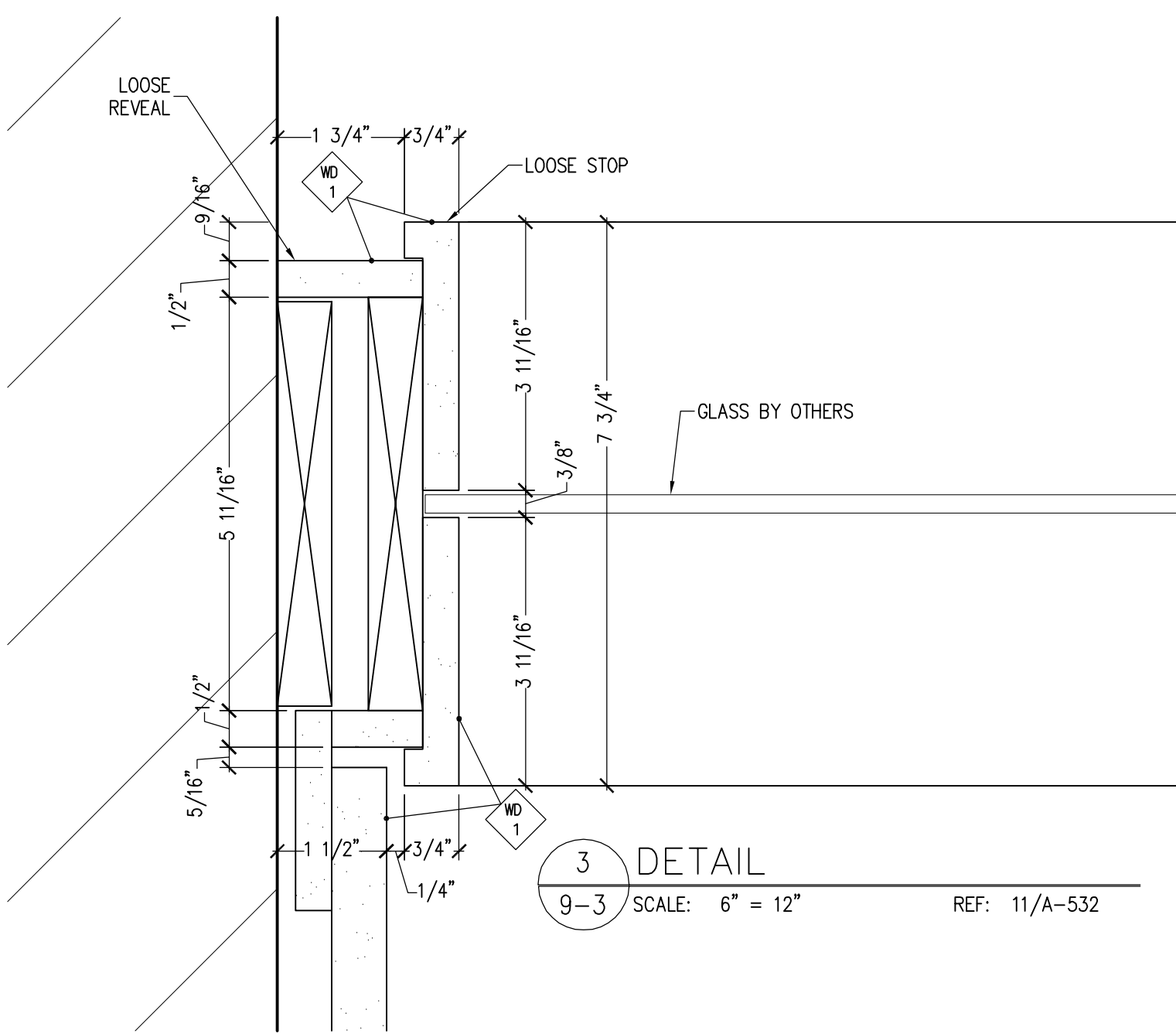
5 DETAIL
11-2 SCALE: 6" = 12" REF: NONE



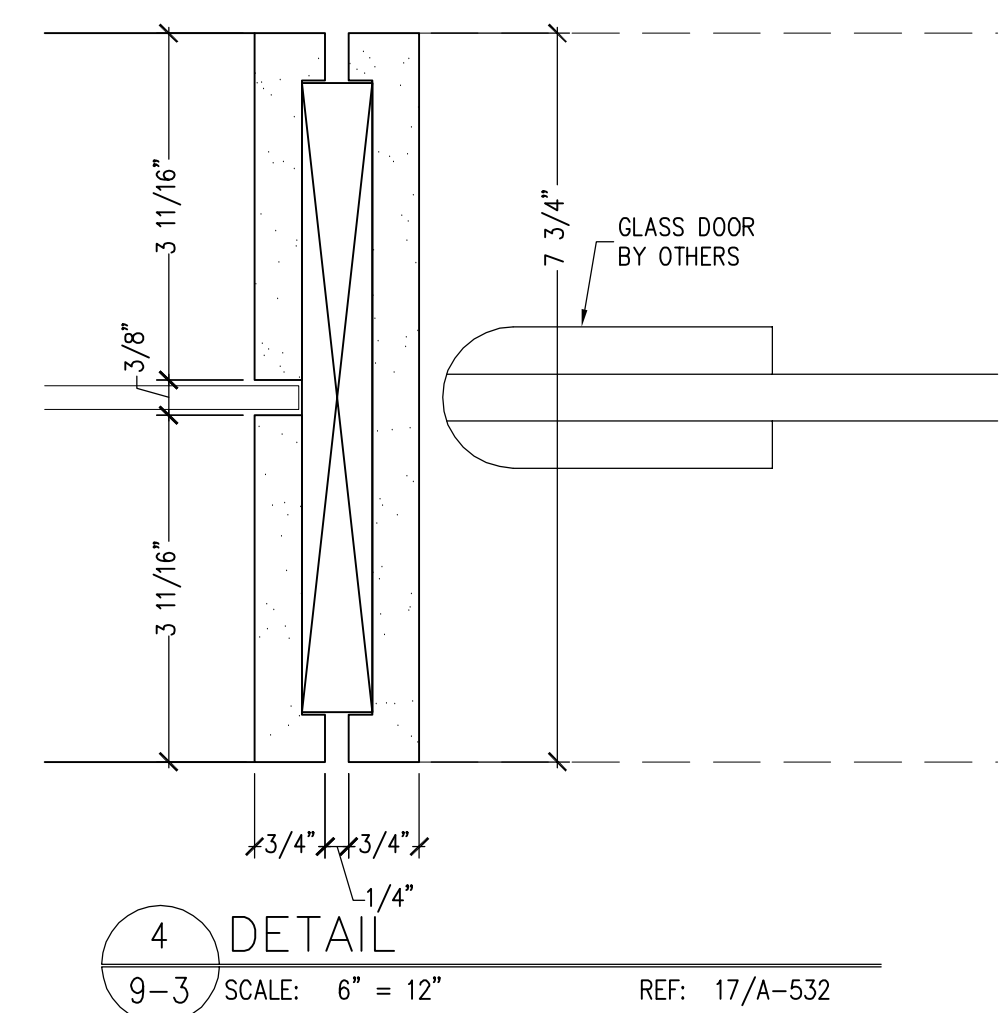
6 DETAIL
11-2 SCALE: 6" = 12" REF: NONE



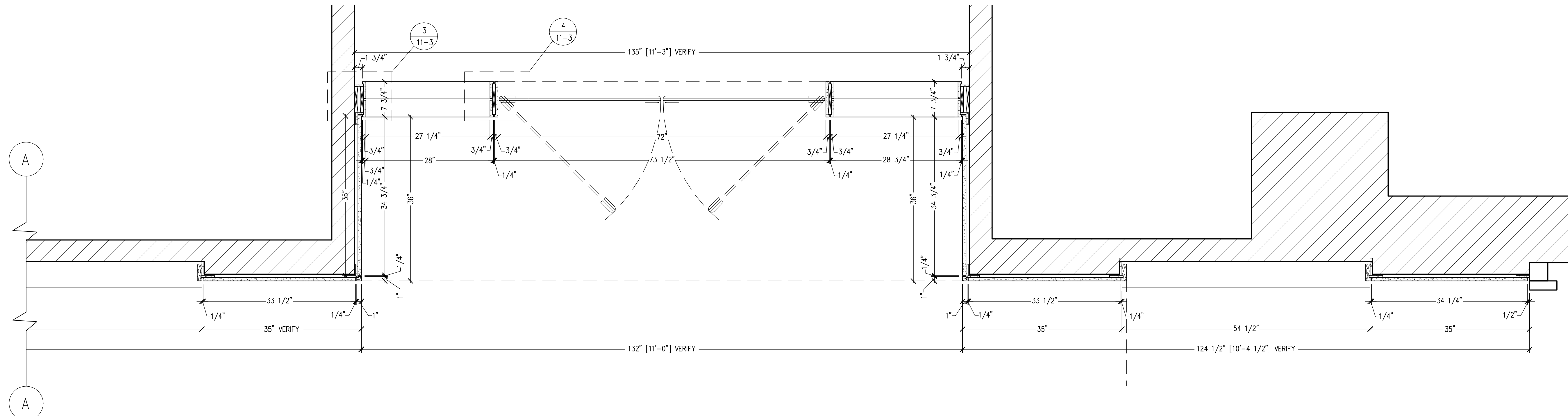
7 DETAIL
11-2 SCALE: 6" = 12" REF: 14/A-532



3 DETAIL
9-3 SCALE: 6" = 12" REF: 11/A-532



4 DETAIL
9-3 SCALE: 6" = 12" REF: 17/A-532



PROJECT NO.

CUTBILL NO.

PSI WORK ORDER NO.

SCALE AS SHOWN

DRAWN BY TM DATE 06/05/06

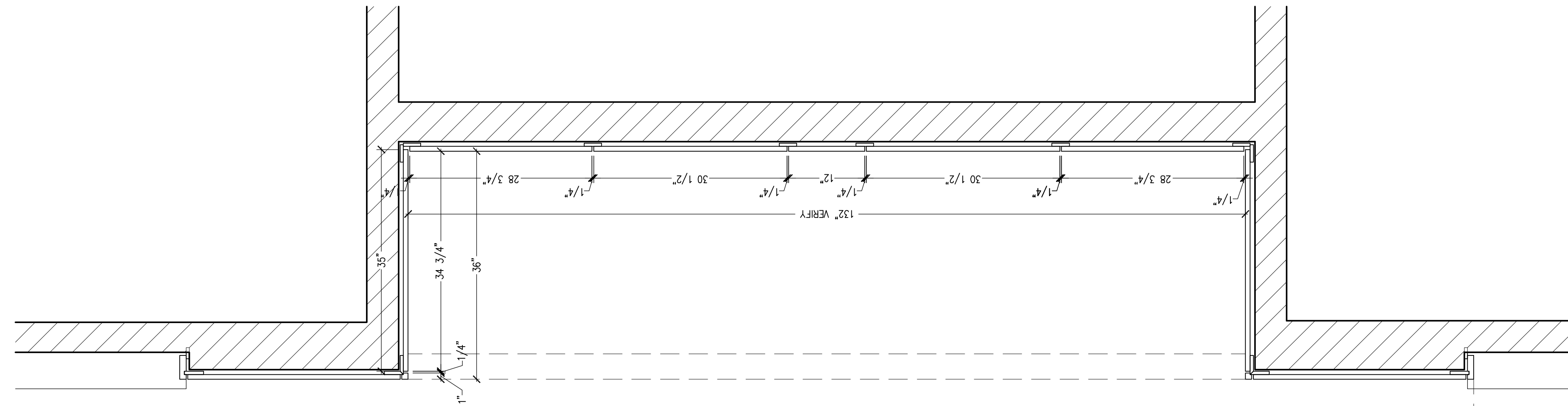
DELIVERY DATE

REVISIONS		
NO.	DATE	DESCRIPTION
1		
2		
3		
4		
5		
6		
7		
8		
9		
10		
11		
12		

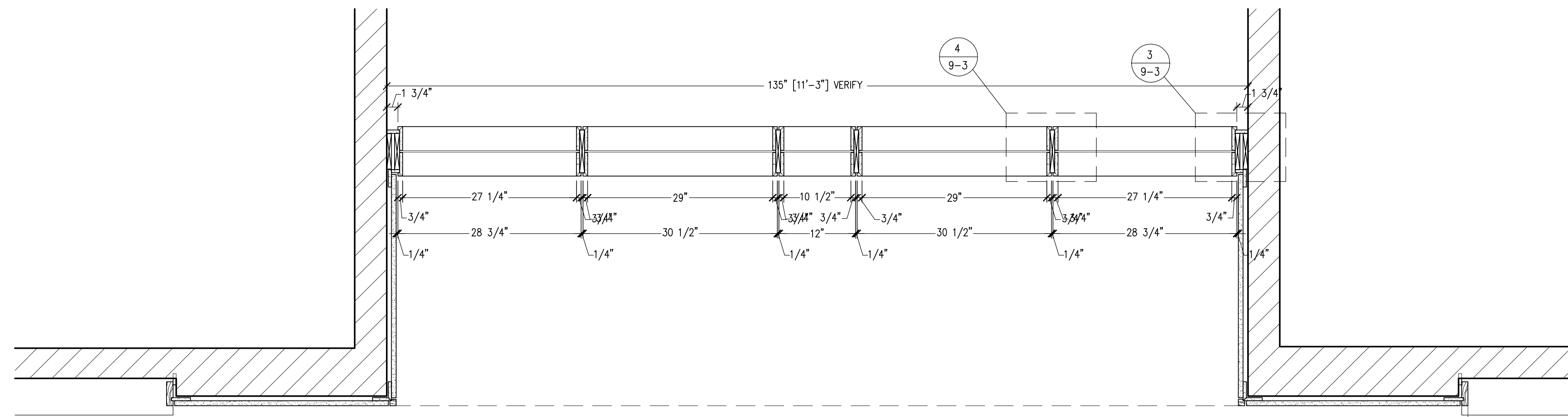
SHEET NO.

11-2

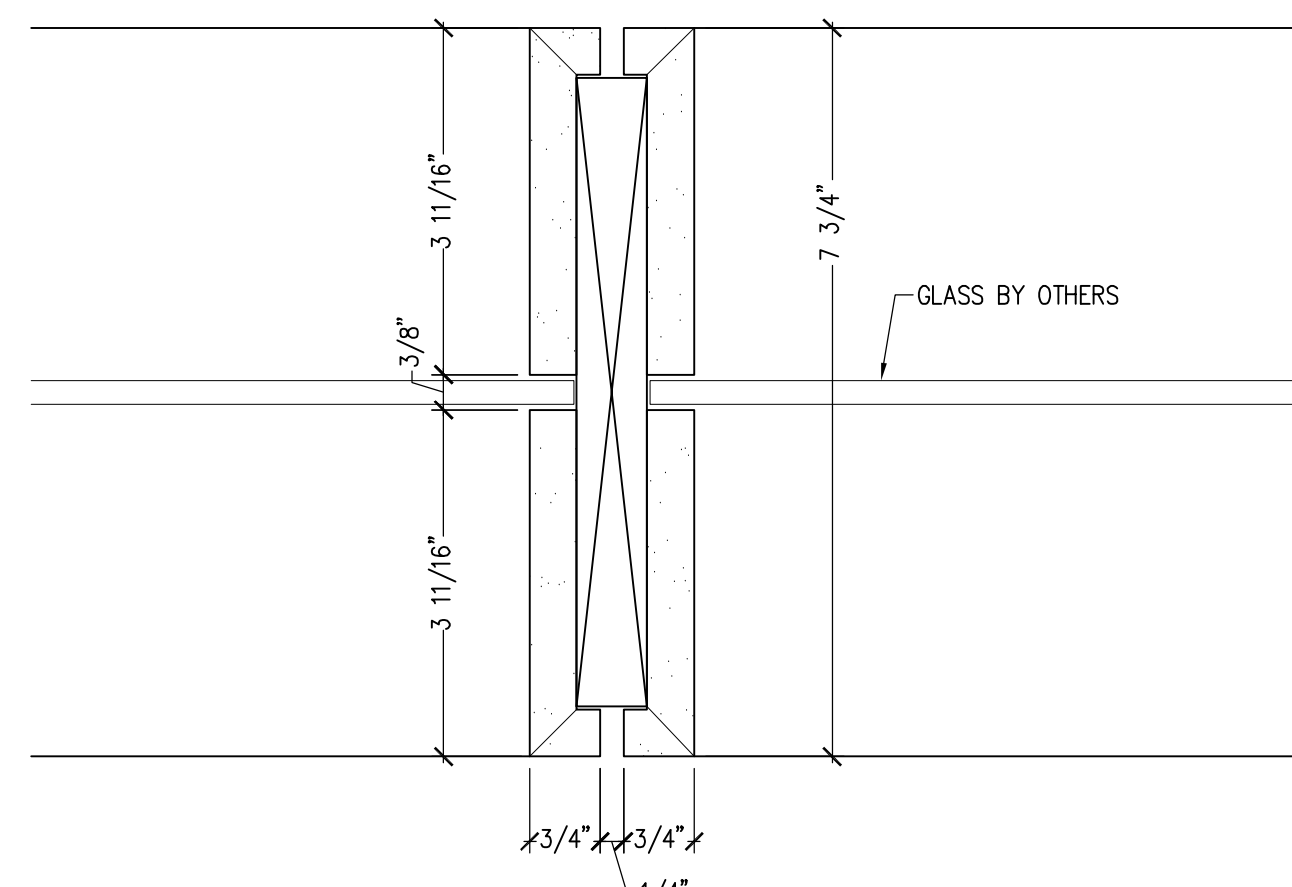
PRELIMINARY



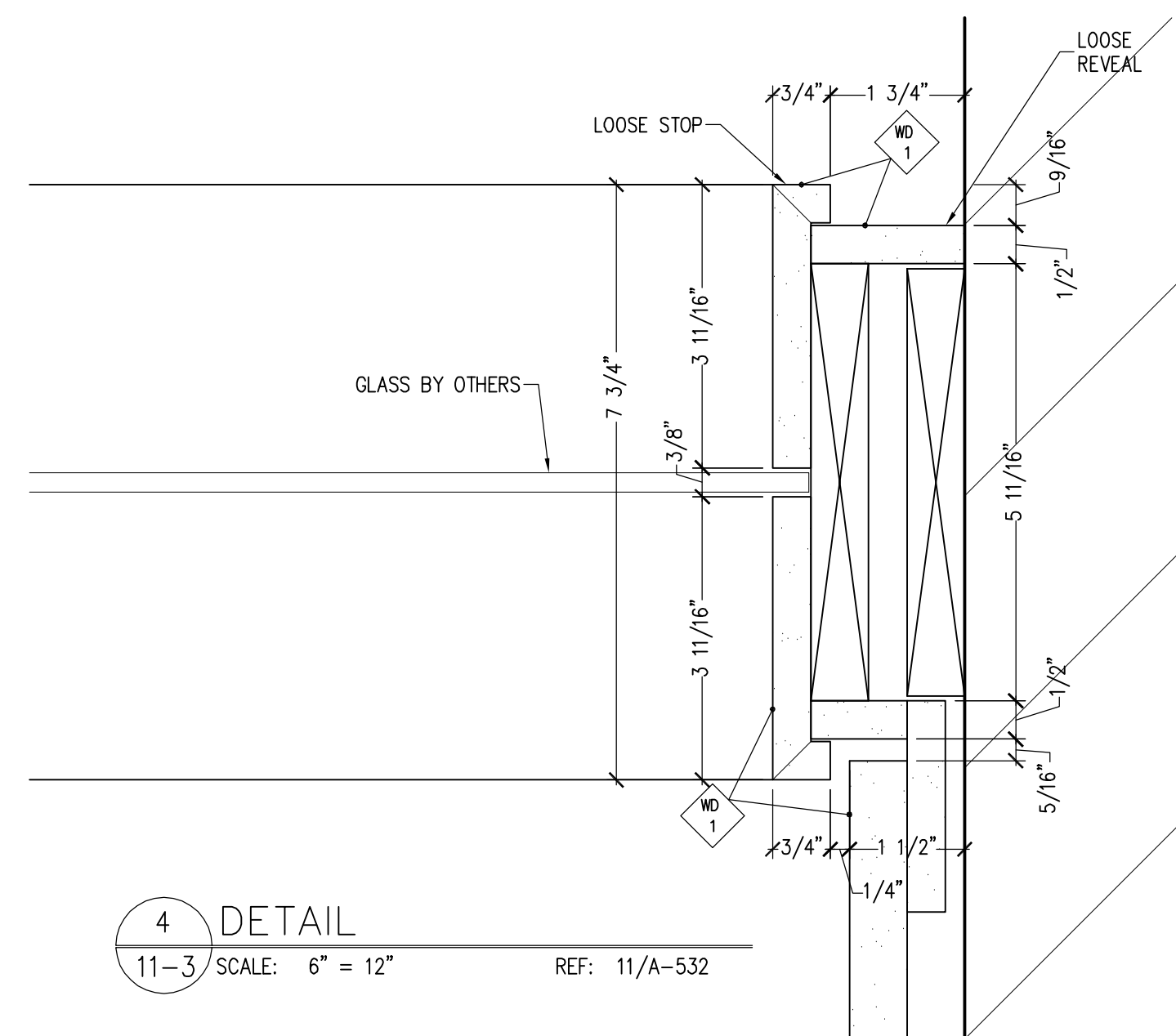
1 HORIZONTAL SECTION
11-2 SCALE: 1"=12" REF: NONE



2 HORIZONTAL SECTION
11-2 SCALE: 1"=12" REF: NONE



3 DETAIL
11-3 SCALE: 6"=12" REF: 15B/A-531



4 DETAIL
11-3 SCALE: 6"=12" REF: 11/A-532

PROJECT NO.

CUTBILL NO.

PSI WORK ORDER NO.

SCALE
AS SHOWN

DRAWN BY
TM

DATE
06/05/06

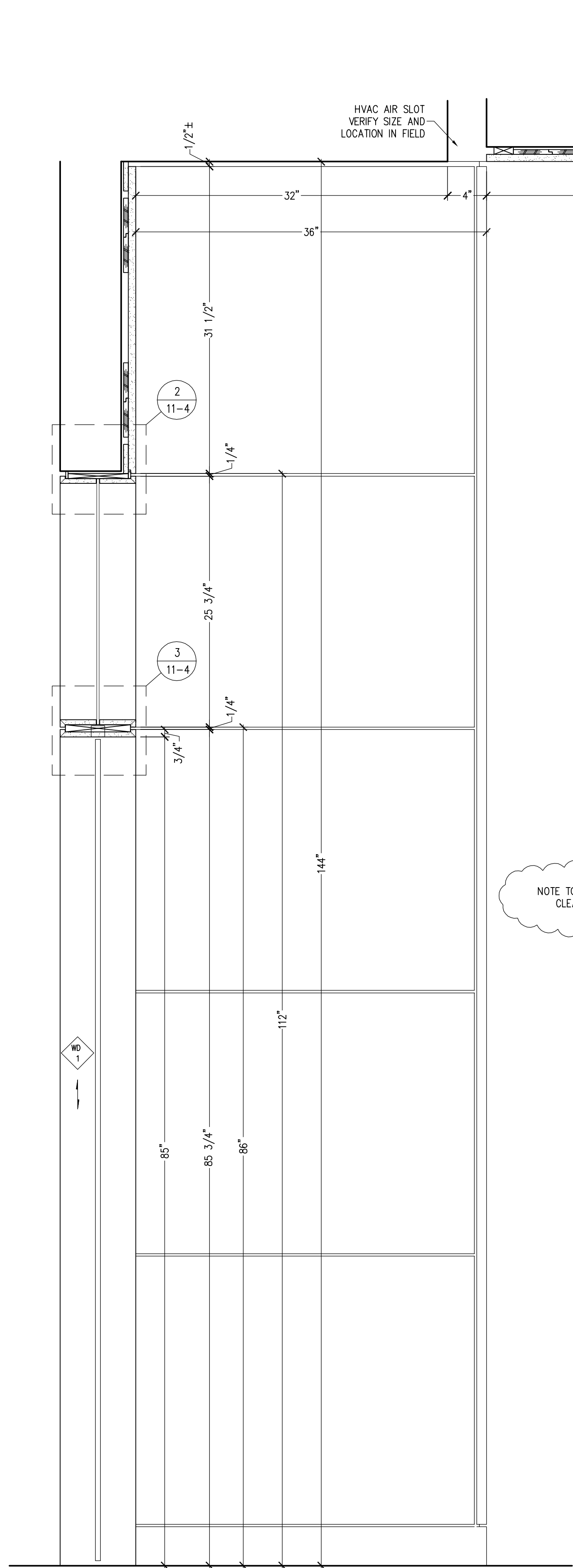
DELIVERY DATE

REVISIONS

NO.	DATE	DESCRIPTION
1		
2		
3		
4		
5		
6		
7		
8		
9		
10		
11		
12		

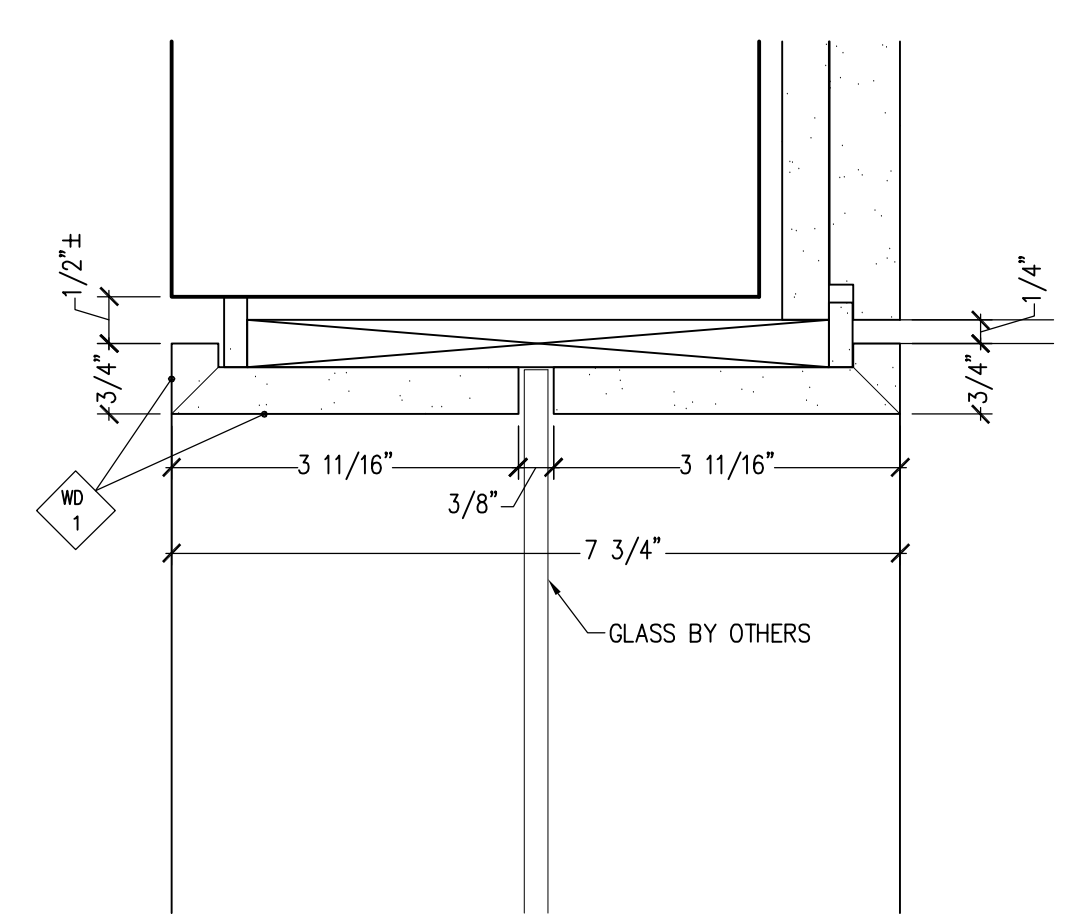
SHEET NO.

11-3
PRELIMINARY

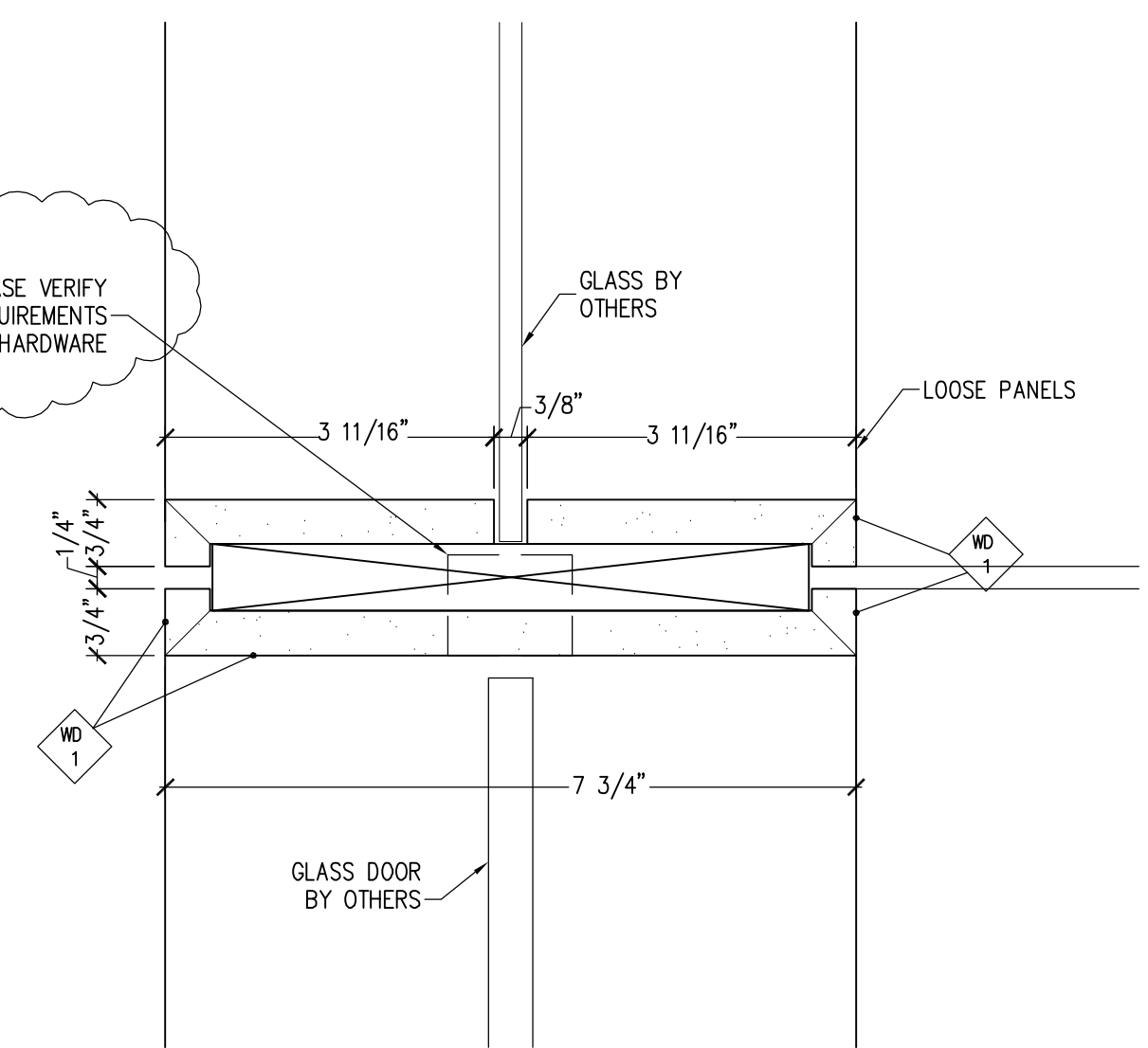


1 VERTICAL SECTION
11-4 SCALE: 1 1/2"=12" REF: NONE

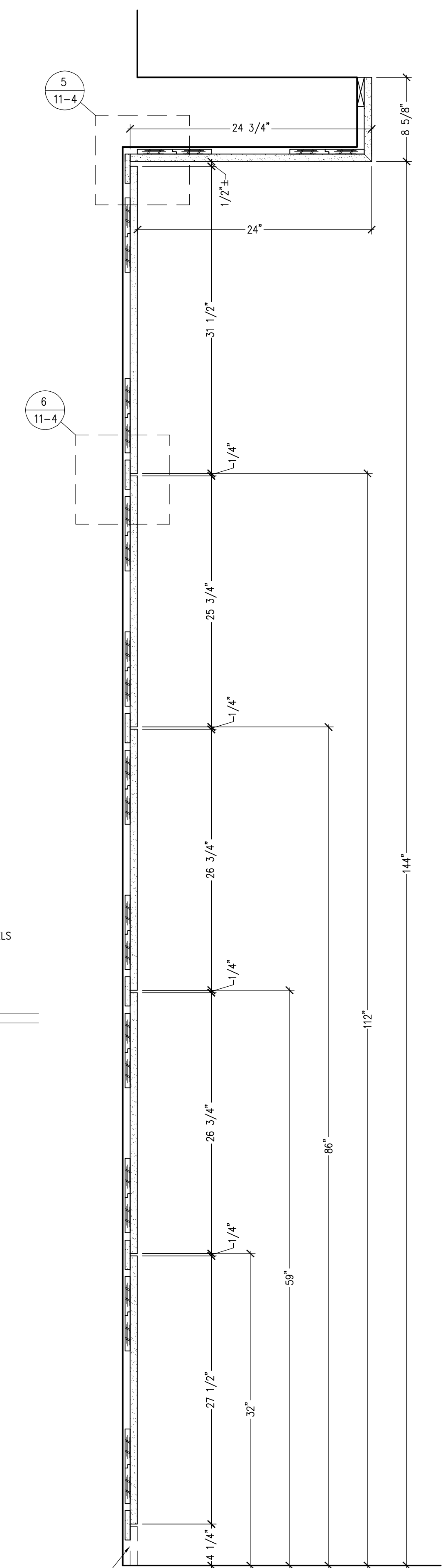
NOTE TO G.C.: PLEASE VERIFY CLEARANCE REQUIREMENTS FOR DOOR HARDWARE



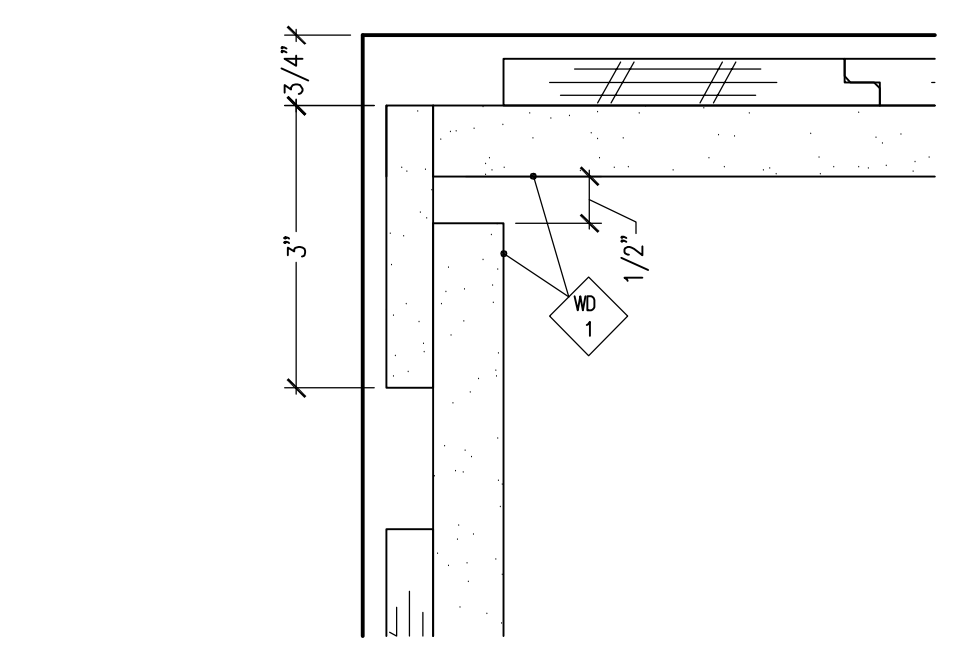
2 DETAIL
11-4 SCALE: 1 1/2"=12" REF: 15/A-531



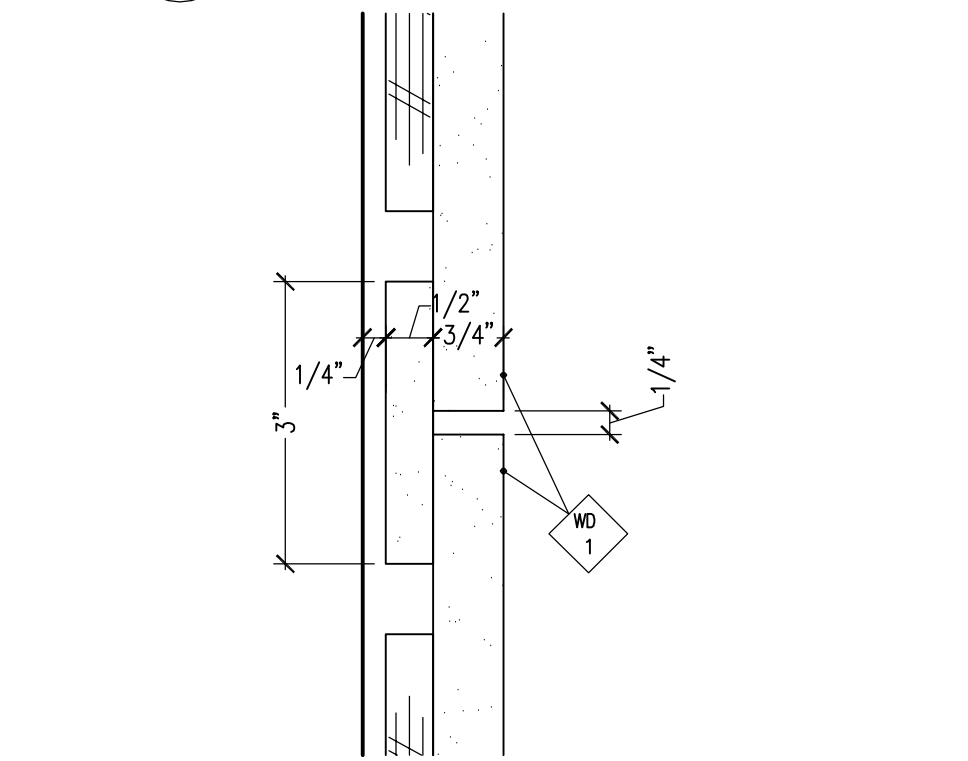
3 DETAIL
11-4 SCALE: 1 1/2"=12" REF: NONE



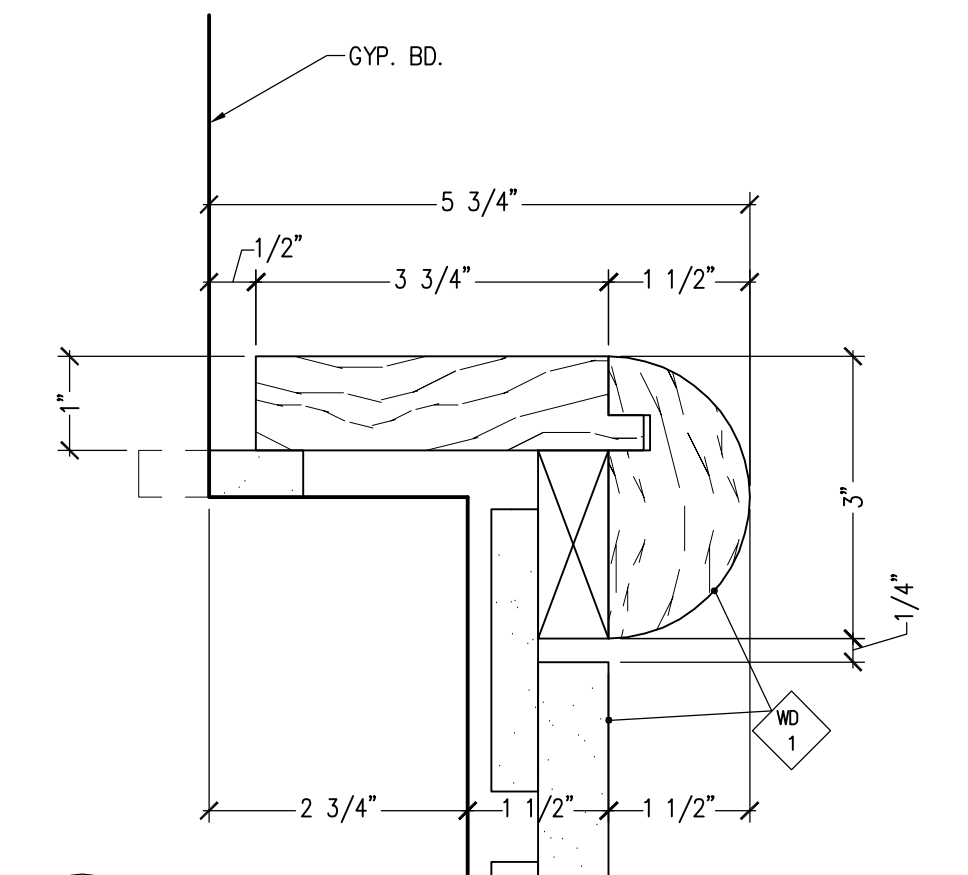
4 VERTICAL SECTION
11-4 SCALE: 1 1/2"=12" REF: 1/A-531



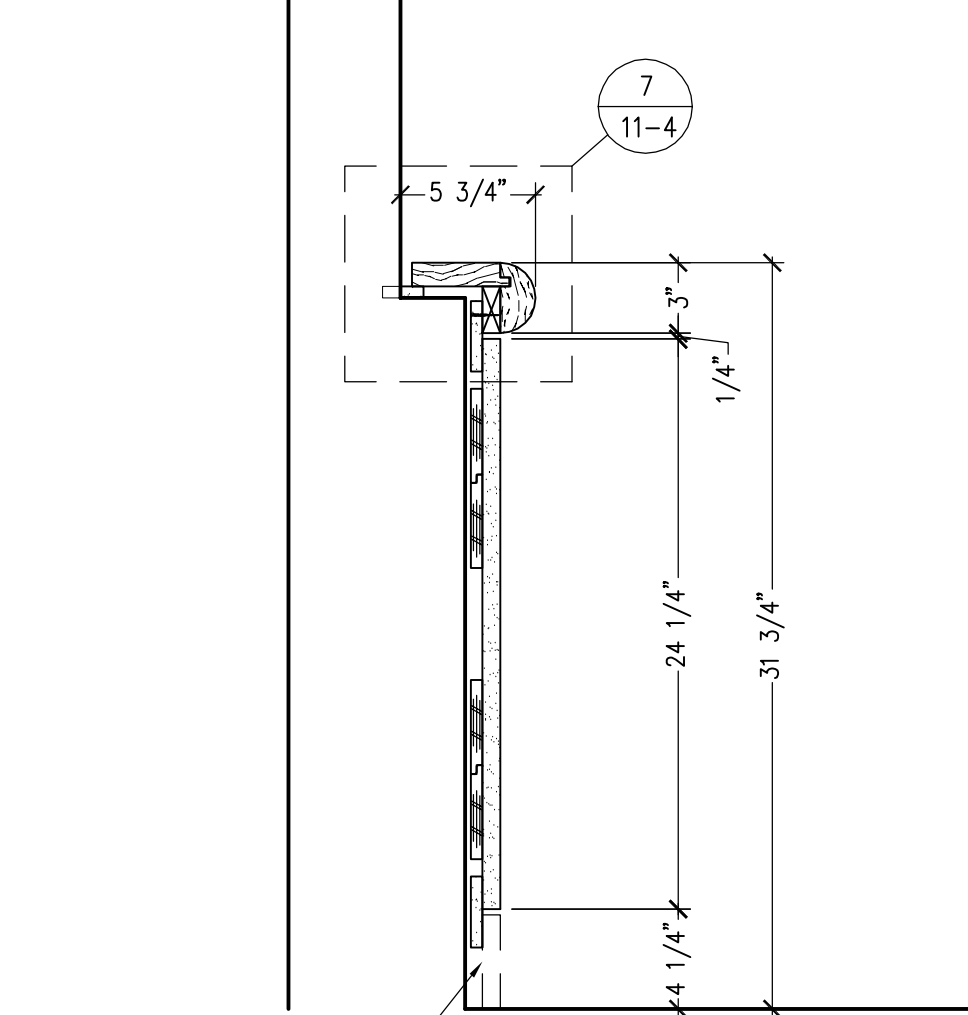
5 DETAIL
11-4 SCALE: 1 1/2"=12" REF: NONE



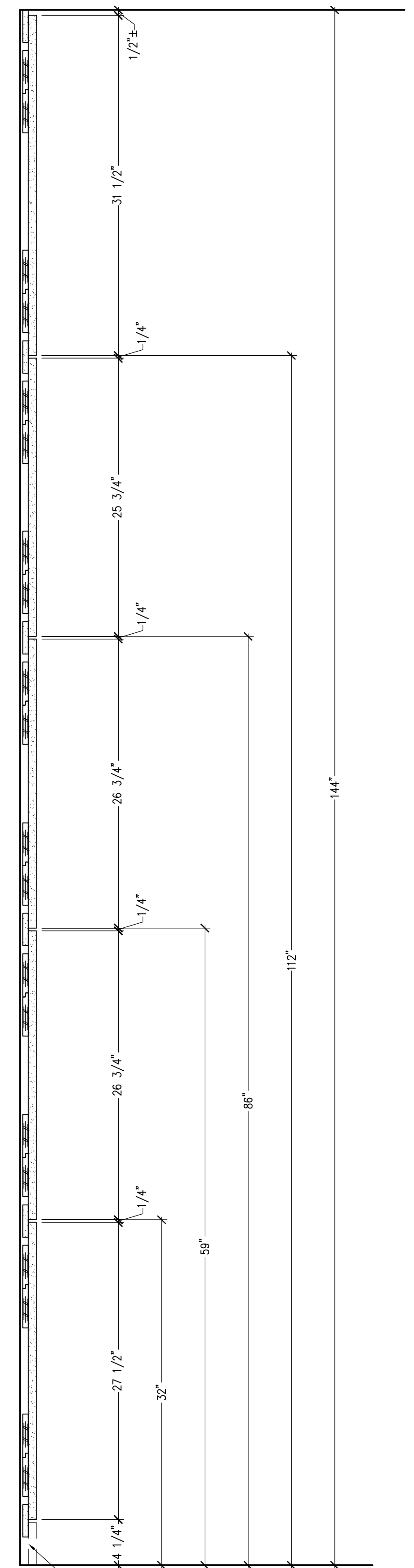
6 DETAIL
11-4 SCALE: 1 1/2"=12" REF: 5B/A-531



7 DETAIL
11-4 SCALE: 1 1/2"=12" REF: 15/A-531



8 VERTICAL SECTION
11-4 SCALE: 1 1/2"=12" REF: 3/A-531

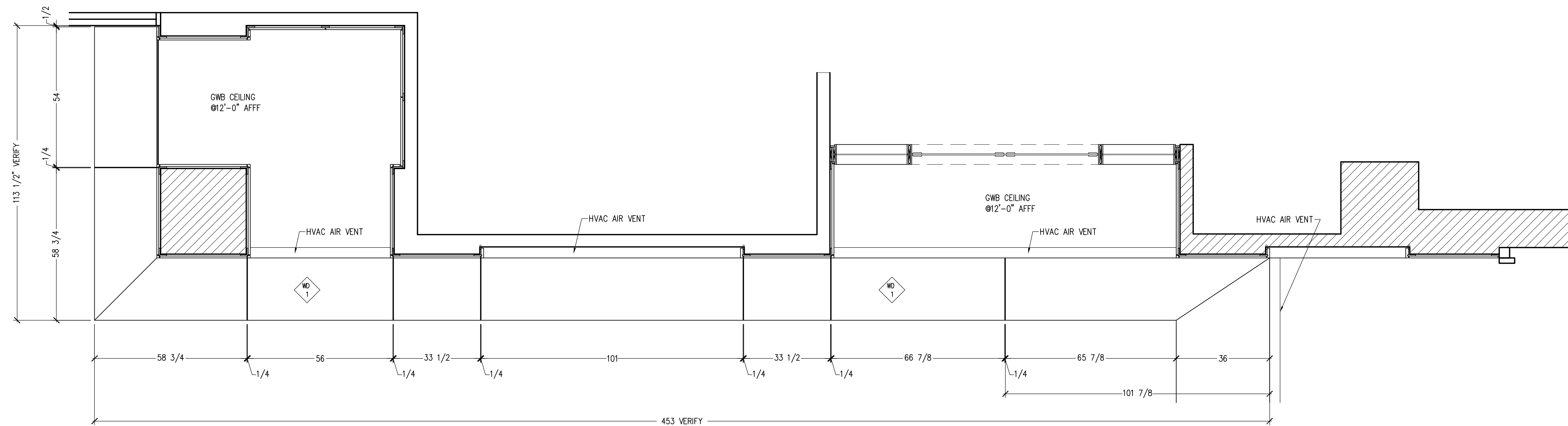


9 VERTICAL SECTION
11-4 SCALE: 1 1/2"=12" REF: 1/A-531

PROJECT NO.	
CUTBILL NO.	
PSI WORK ORDER NO.	
SCALE	AS SHOWN
DRAWN BY	DATE
TM	06/05/06
DELIVERY DATE	

REVISIONS		
NO.	DATE	DESCRIPTION
1		
2		
3		
4		
5		
6		
7		
8		
9		
10		
11		
12		

SHEET NO.
11-4
PRELIMINARY



1 REFLECTED PLAN OF SOFFIT
 11-5 SCALE: 1/2"=12" REF: 1/A-121C

PROJECT NO.	
CUTBILL NO.	
PSI WORK ORDER NO.	
SCALE AS SHOWN	
DRAWN BY TM	DATE 06/05/06
DELIVERY DATE	

REVISIONS		
NO.	DATE	DESCRIPTION
1		
2		
3		
4		
5		
6		
7		
8		
9		
10		
11		
12		

SHEET NO.
 11-5
 PRELIMINARY