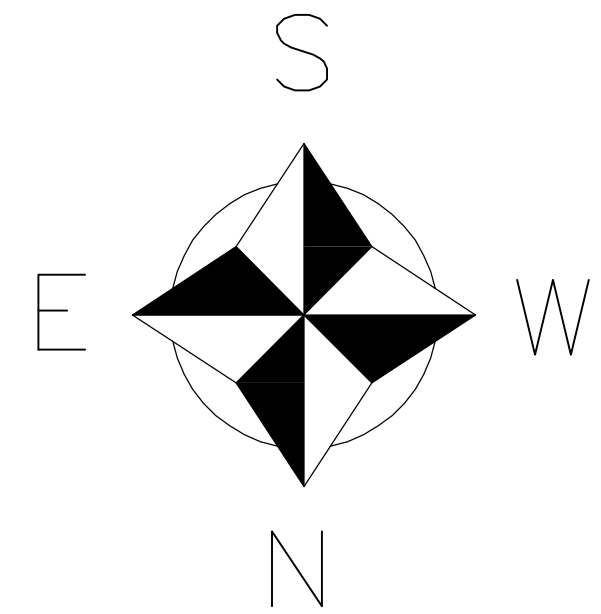


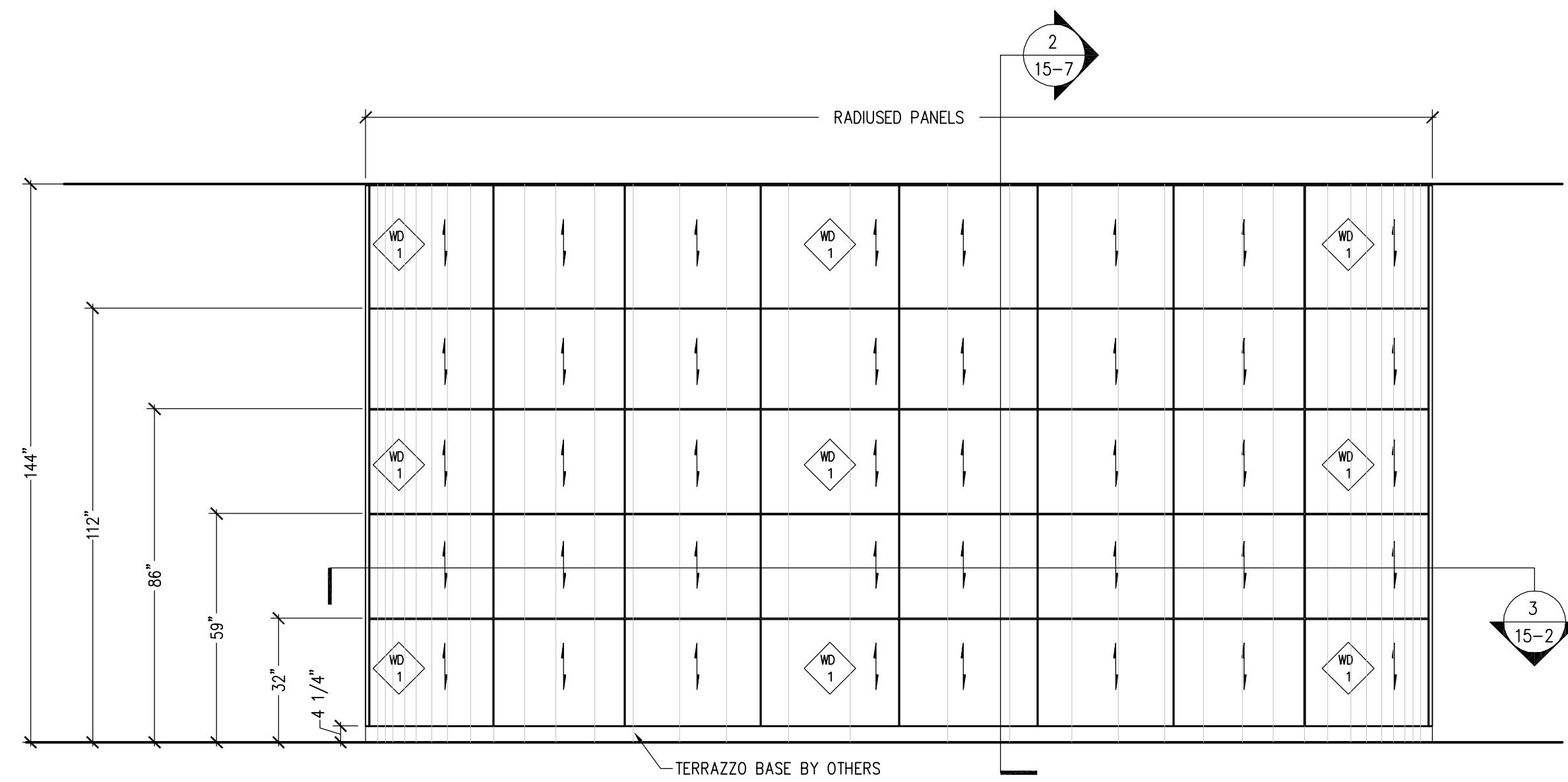
MATERIAL SPECIFICATIONS			
TYPE	DESCRIPTION	M.R.	
CORE	F.R. PARTICLE BOARD		
VENEER	RIFT CUT WHITE OAK		
SOLID	RIFT SAWN WHITE OAK		
FINISH	TO MATCH SAMPLE		
HARDWARE LIST			
QTY:	DESCRIPTION	M.R.	
INFORMATION SYSTEMS			
ITEM #	DESCRIPTION	CUST.	PROD.

PROJECT NO.
CUTBILL NO.
PSI WORK ORDER NO.
SCALE
AS SHOWN
DRAWN BY DATE
TM 06/05/06
DELIVERY DATE

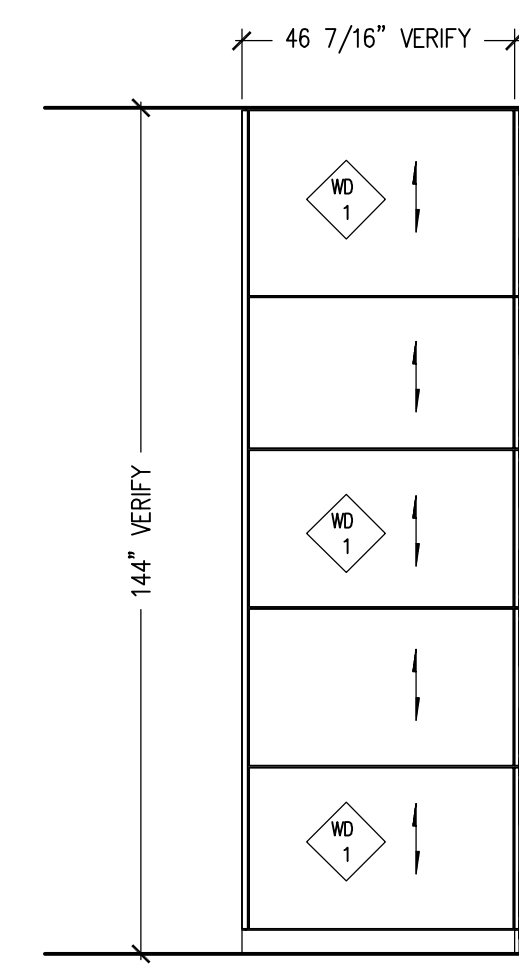
REVISIONS		
NO.	DATE	DESCRIPTION
1		
2		
3		
4		
5		
6		
7		
8		
9		
10		
11		
12		



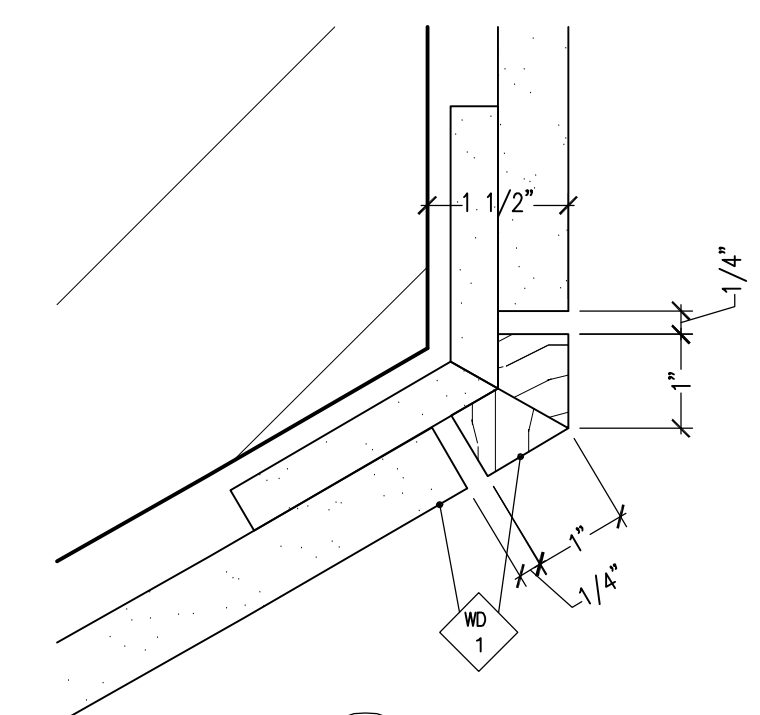
SHEET NO.
15-1
PRELIMINARY



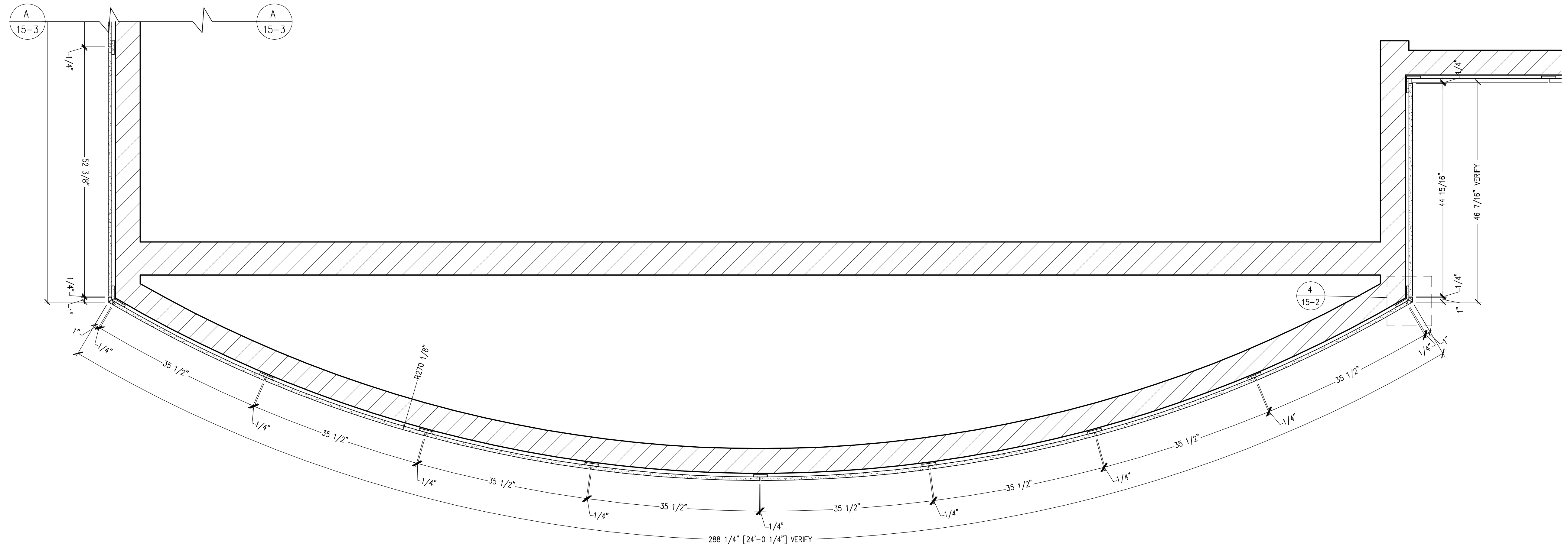
1 ELEVATION
 15-2 SCALE: 3/8"=12" REF: 13/A-411



2 ELEVATION
 15-2 SCALE: 3/8"=12" REF: NONE



4 DETAIL
 15-2 SCALE: 6"=12" REF: NONE



3 HORIZONTAL SECTION
 15-2 SCALE: 1"=12" REF: NONE

PROJECT NO.

CUTBILL NO.

PSI WORK ORDER NO.

SCALE
 AS SHOWN

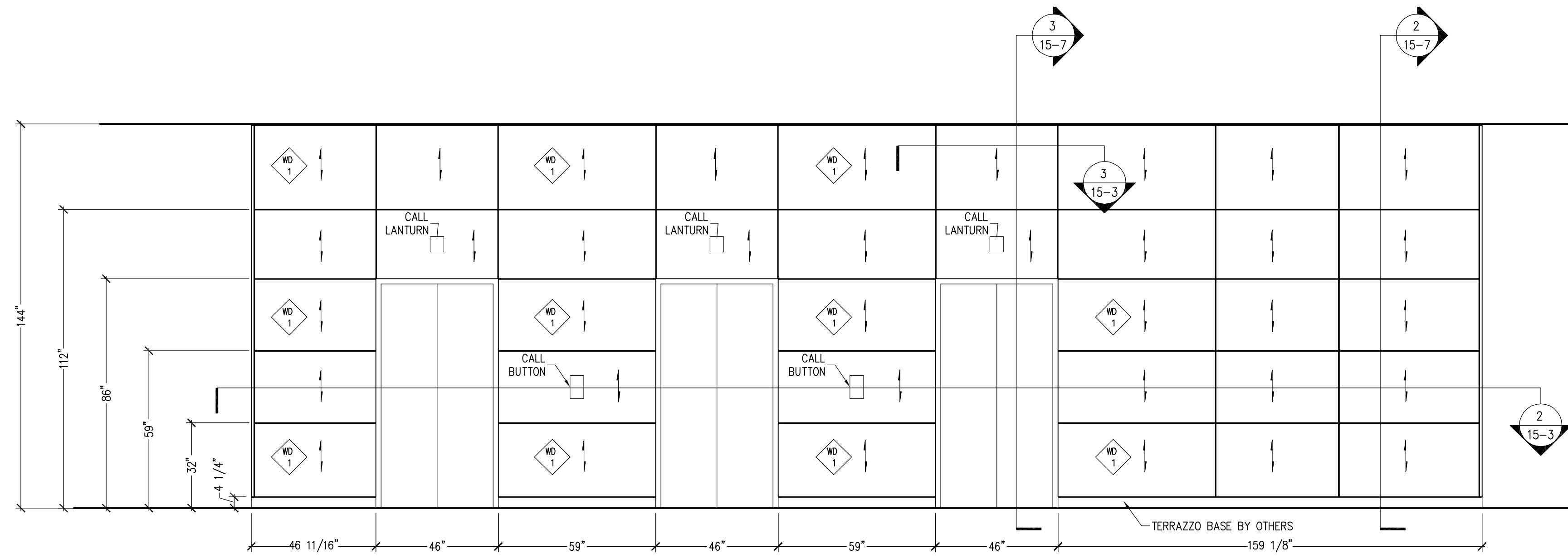
DRAWN BY
 TM

DATE
 06/08/06

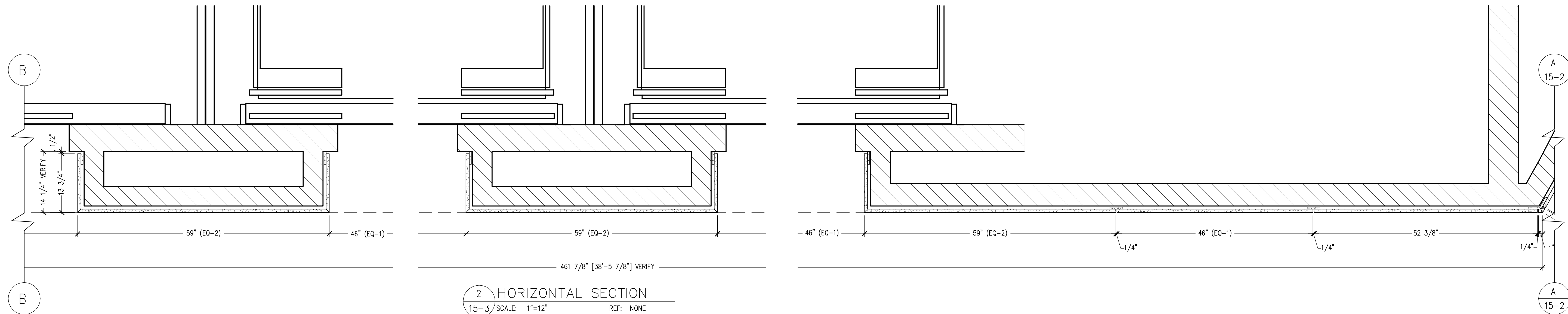
DELIVERY DATE

REVISIONS		
NO.	DATE	DESCRIPTION
1		
2		
3		
4		
5		
6		
7		
8		
9		
10		
11		
12		

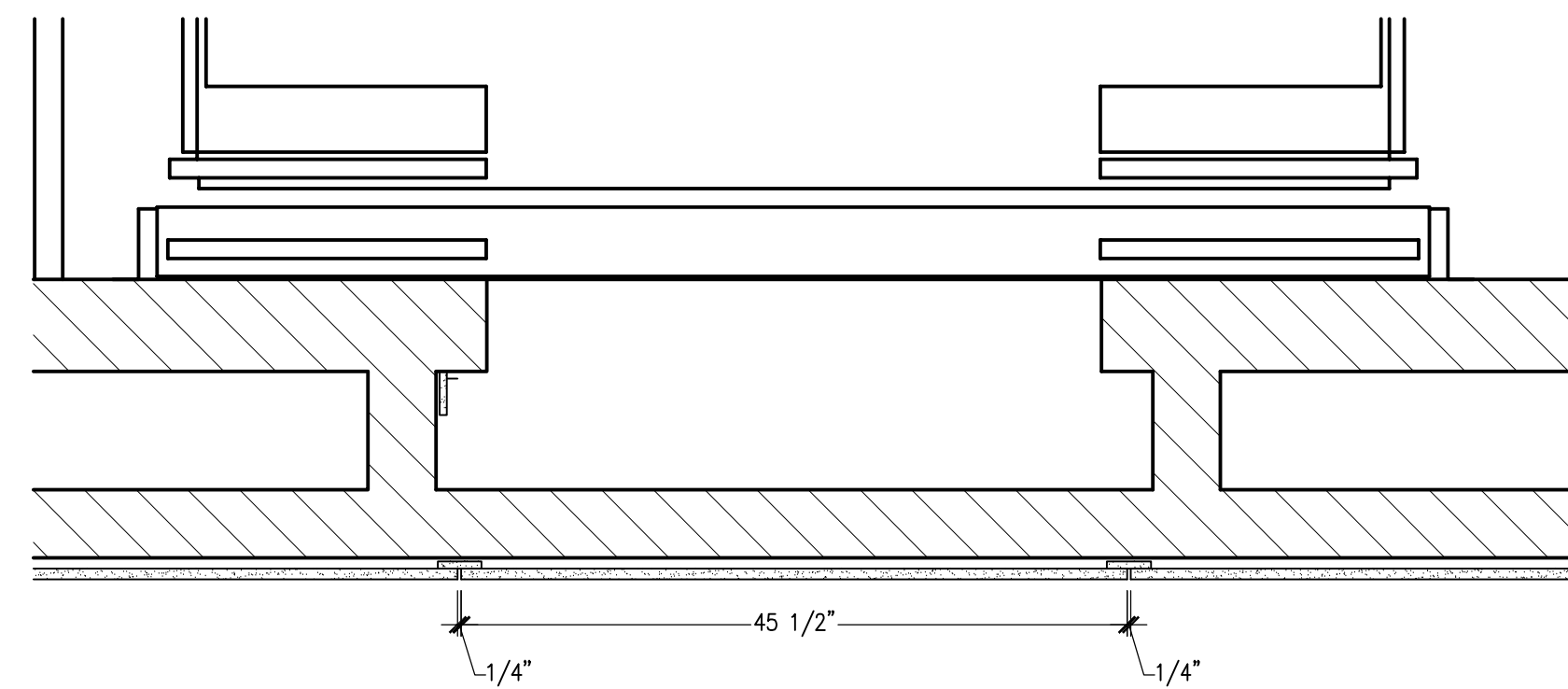
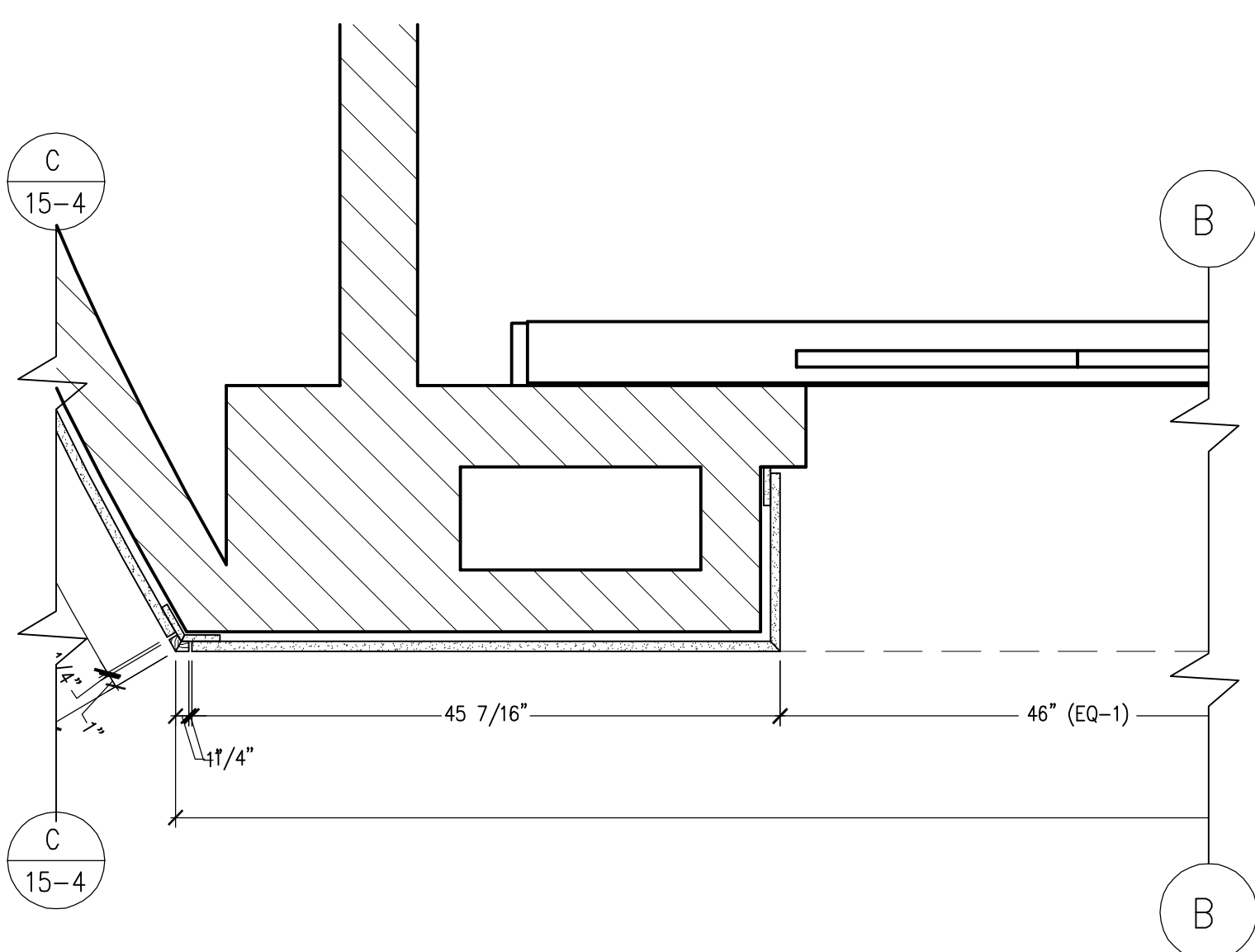
SHEET NO.
 15-2
 PRELIMINARY



1 ELEVATION
 15-3 SCALE: 3/8"=12" REF: 11/A-411
 ELEVATOR LOBBY 1C01



2 HORIZONTAL SECTION
 15-3 SCALE: 1"=12" REF: NONE

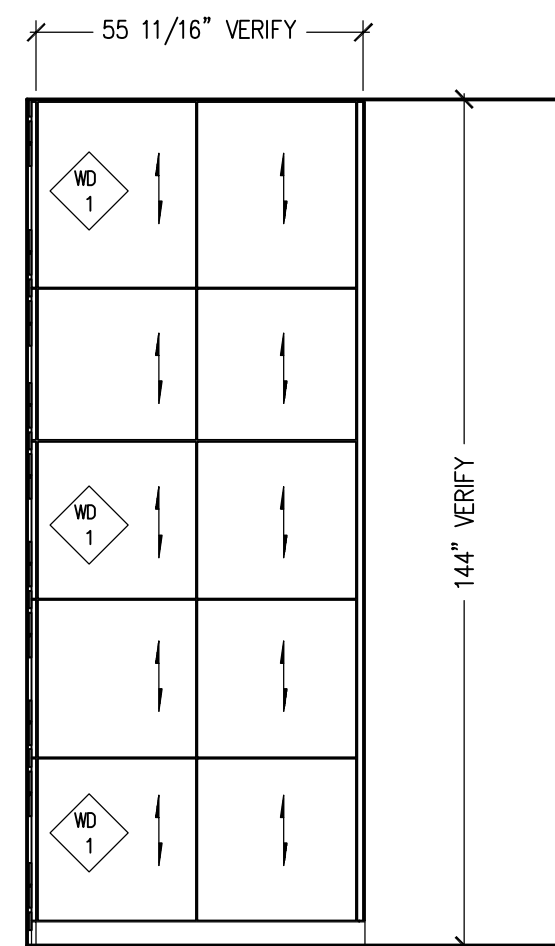


3 HORIZONTAL SECTION
 15-3 SCALE: 1"=12" REF: NONE

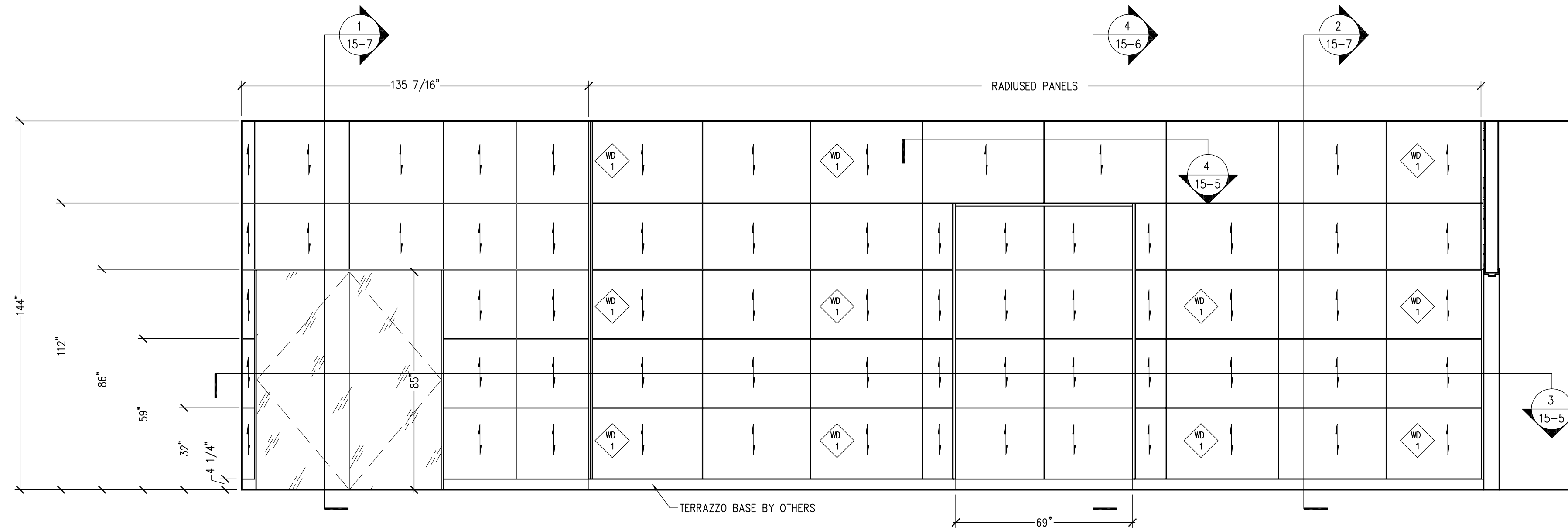
PROJECT NO.
 CUTBILL NO.
 PSI WORK ORDER NO.
 SCALE
 AS SHOWN
 DRAWN BY
 TM
 DATE
 06/08/06
 DELIVERY DATE

REVISIONS		
NO.	DATE	DESCRIPTION
1		
2		
3		
4		
5		
6		
7		
8		
9		
10		
11		
12		

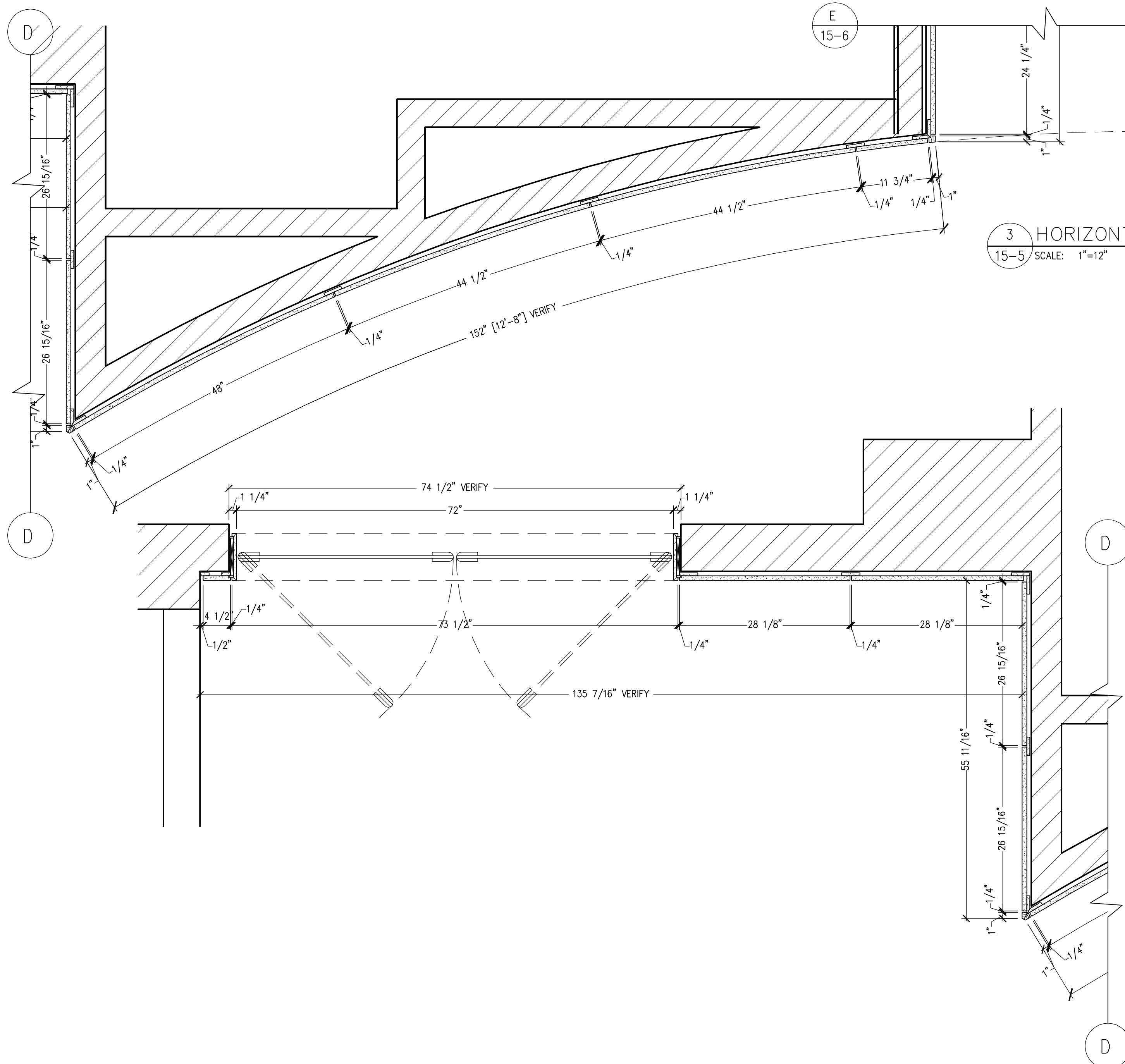
SHEET NO.
 15-3
 PRELIMINARY



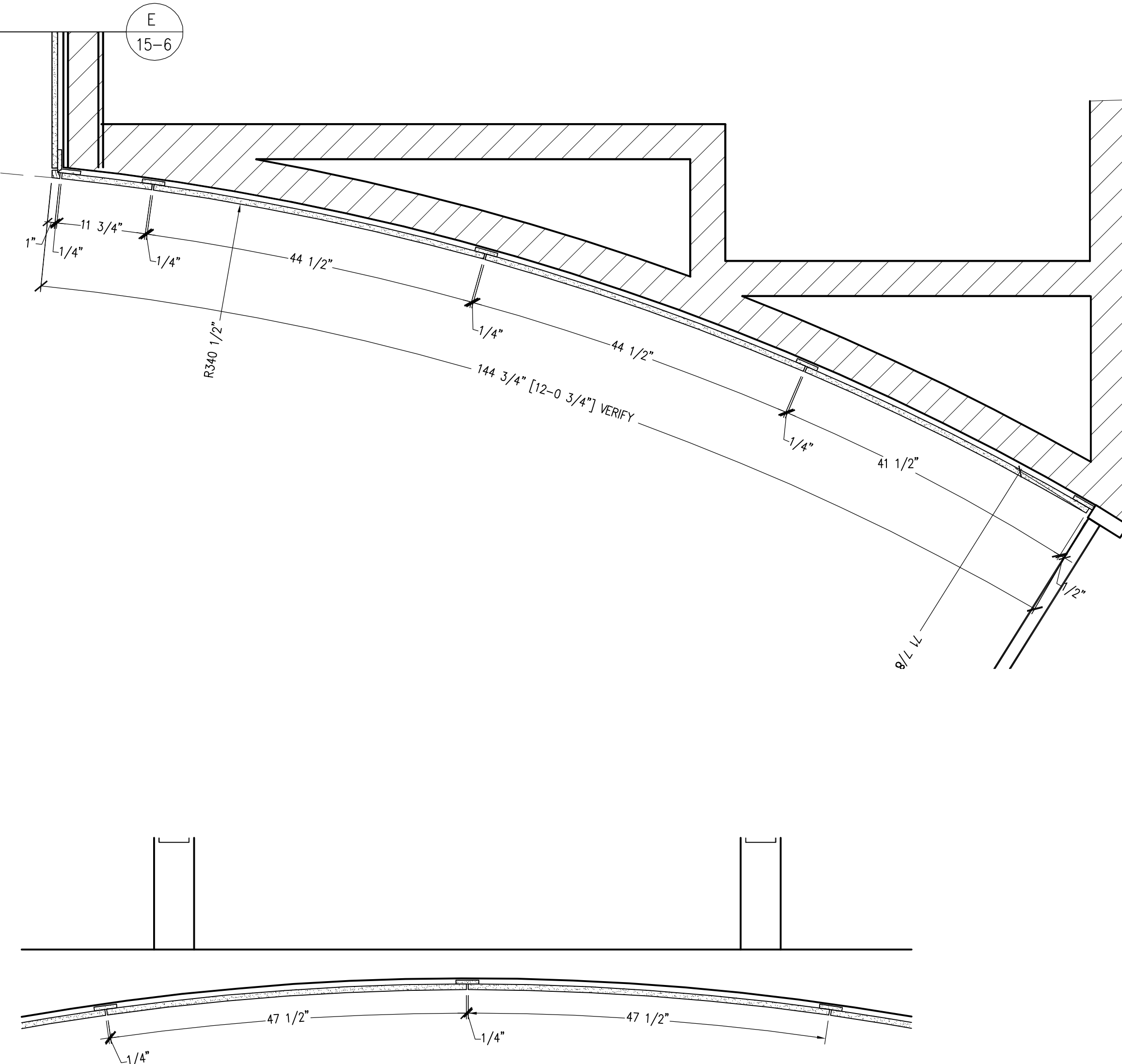
2 ELEVATION
CORRIDOR 1C02
15-5 SCALE: 3/8"=12" REF: 11/A-411



1 ELEVATION
CORRIDOR 1C02
15-5 SCALE: 3/8"=12" REF: 16/A-411



3 HORIZONTAL SECTION
15-5 SCALE: 1"=12" REF: NONE

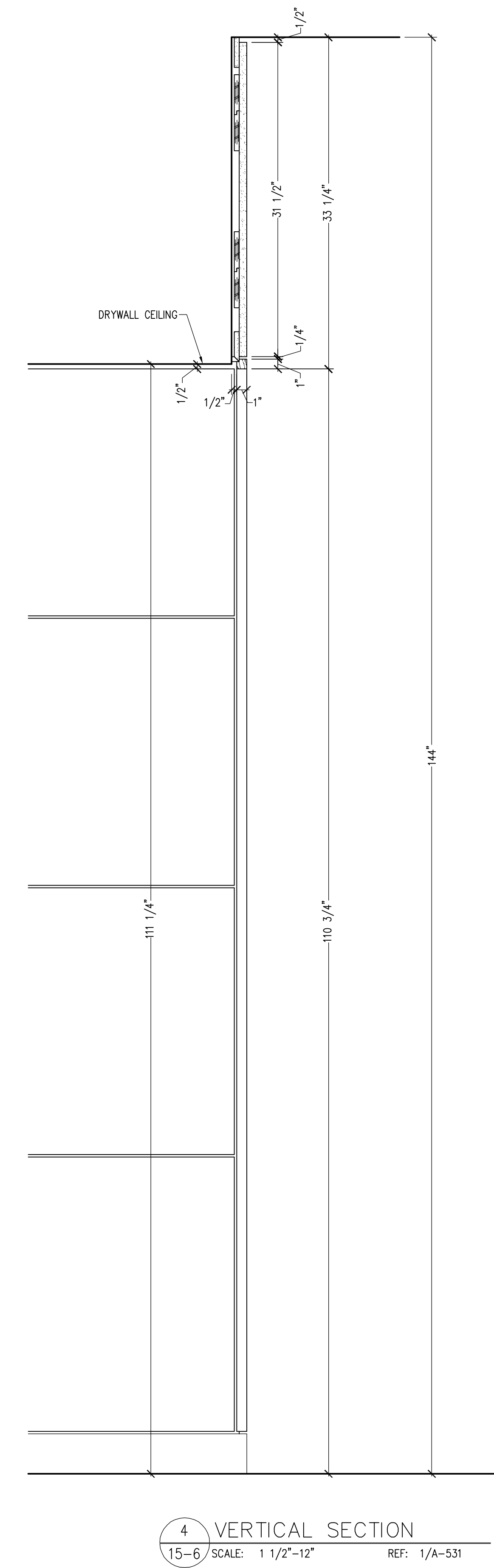
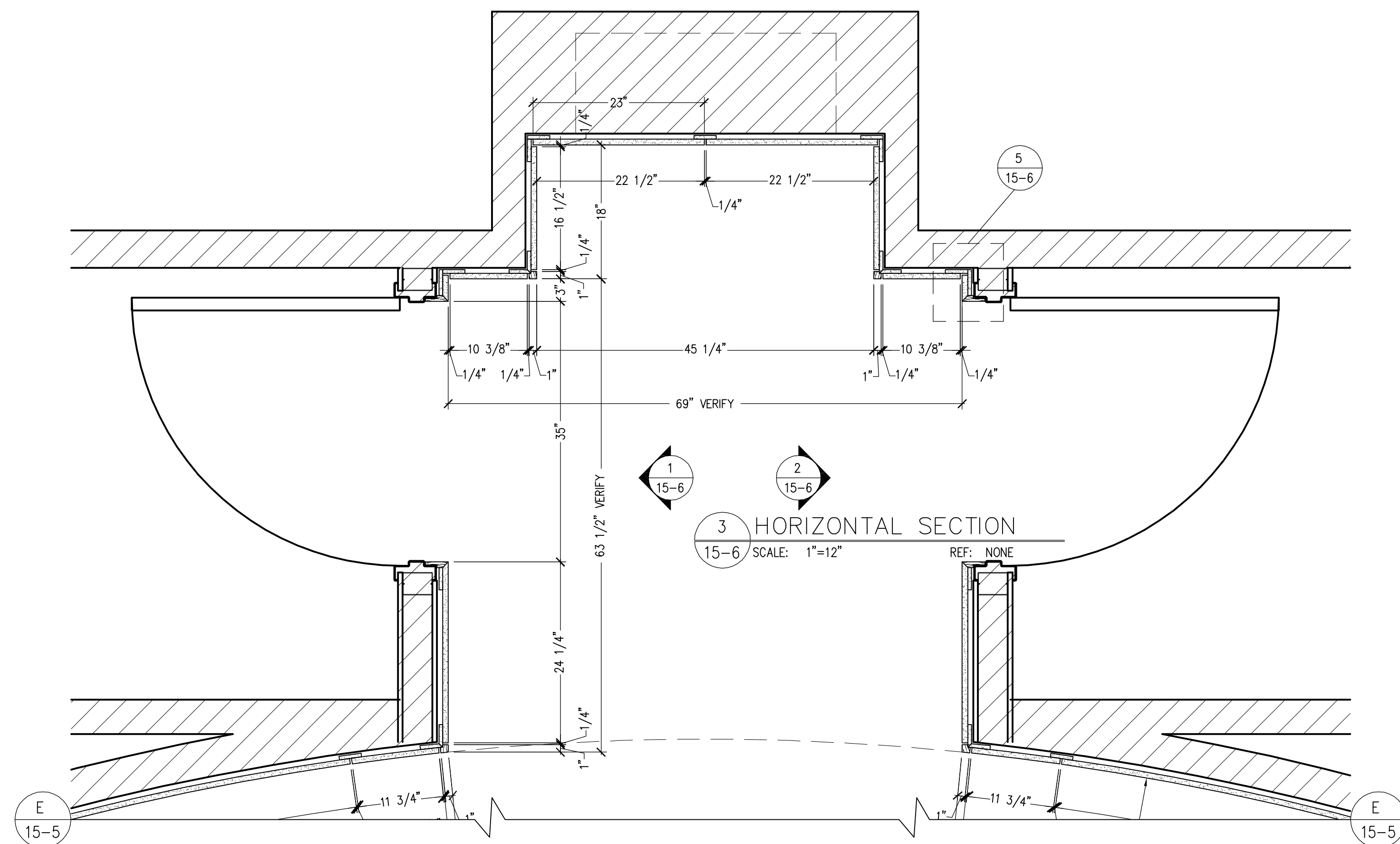
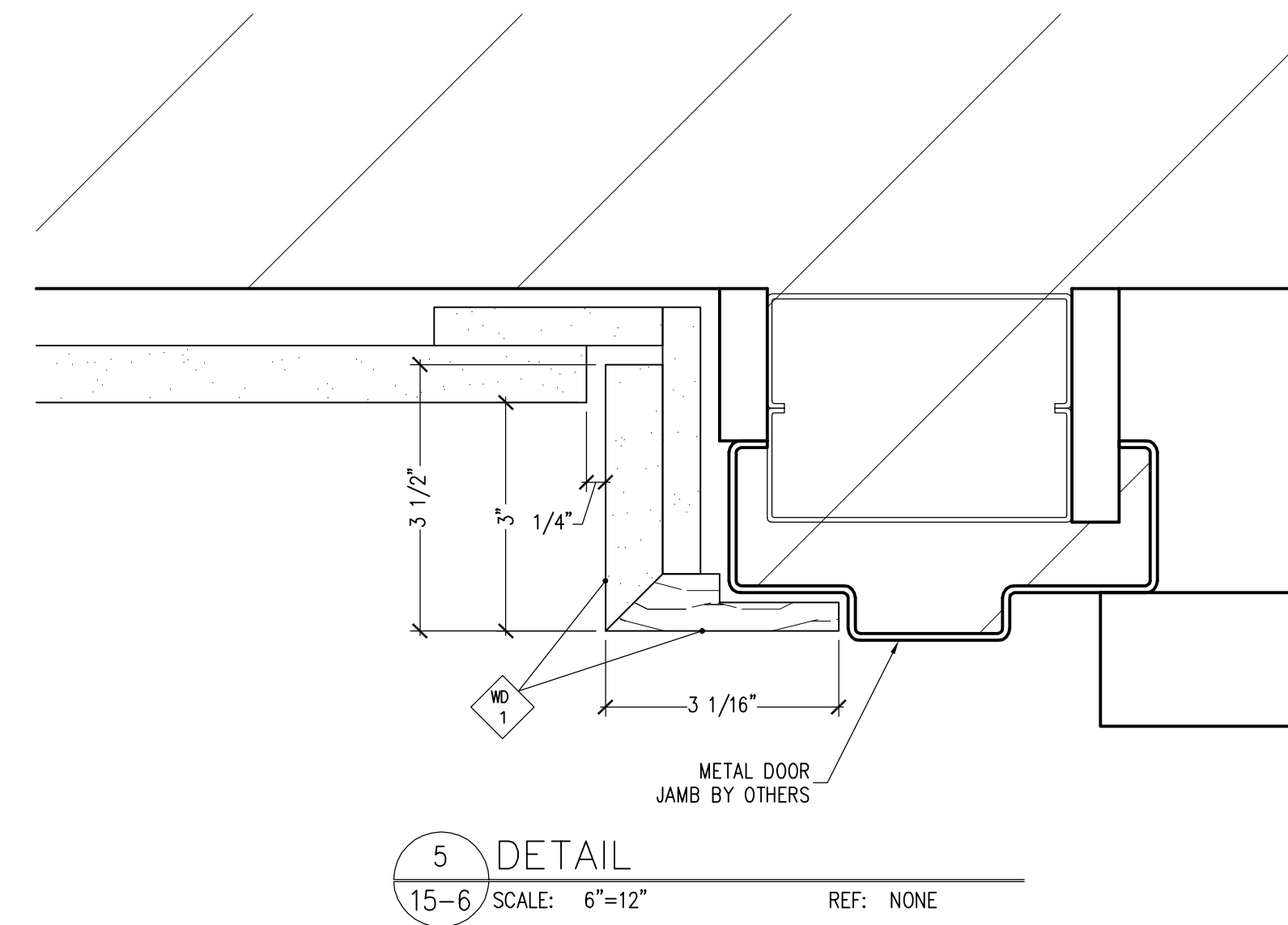
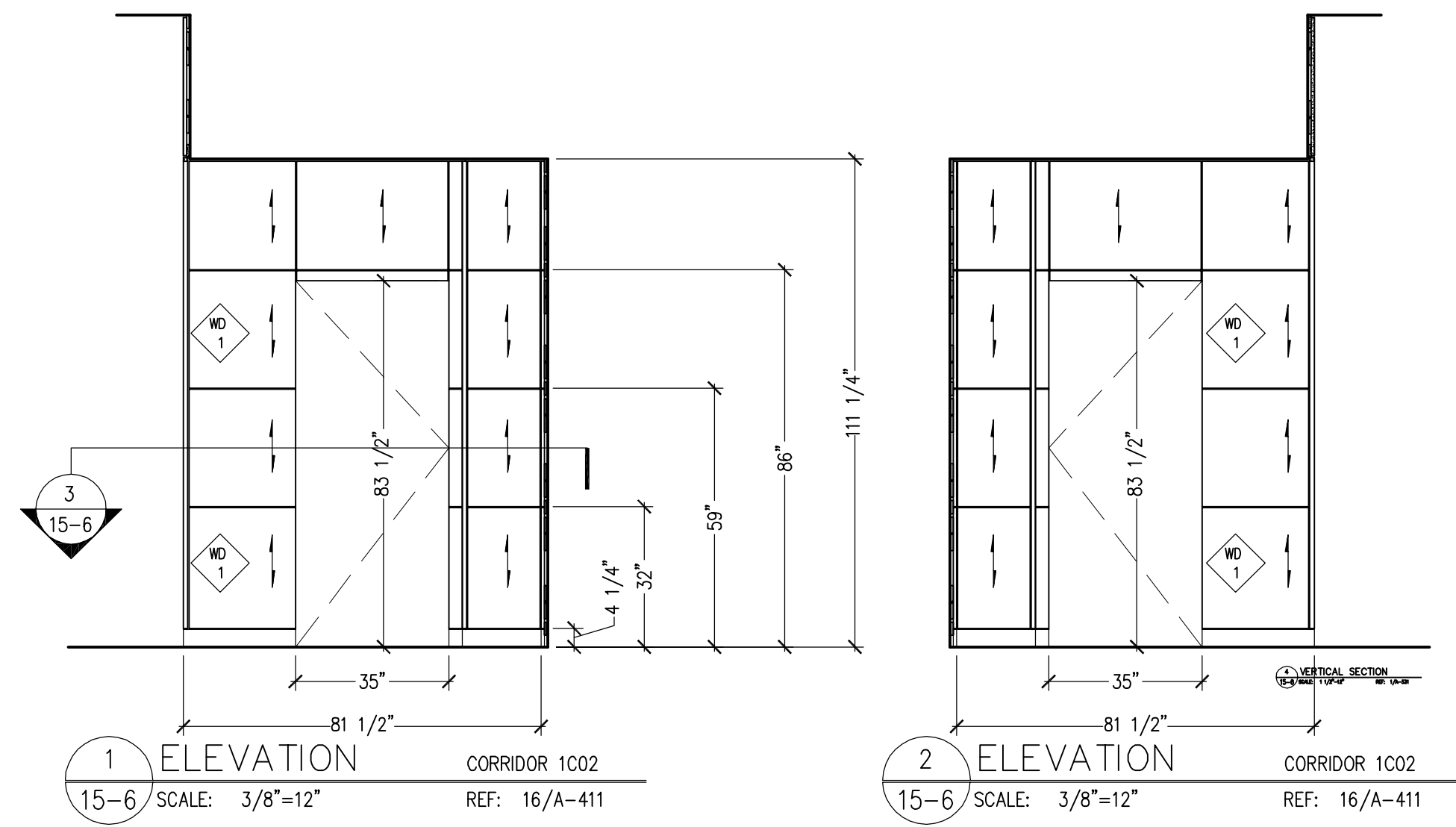


4 HORIZONTAL SECTION
15-5 SCALE: 1"=12" REF: NONE

PROJECT NO.
CUTBILL NO.
PSI WORK ORDER NO.
SCALE
AS SHOWN
DRAWN BY
TM
DATE
06/08/06
DELIVERY DATE

REVISIONS		
NO.	DATE	DESCRIPTION
1		
2		
3		
4		
5		
6		
7		
8		
9		
10		
11		
12		

SHEET NO.
15-5
PRELIMINARY



PROJECT NO.

CUTBILL NO.

PSI WORK ORDER NO.

SCALE
AS SHOWN

DRAWN BY DATE
TM 06/08/06

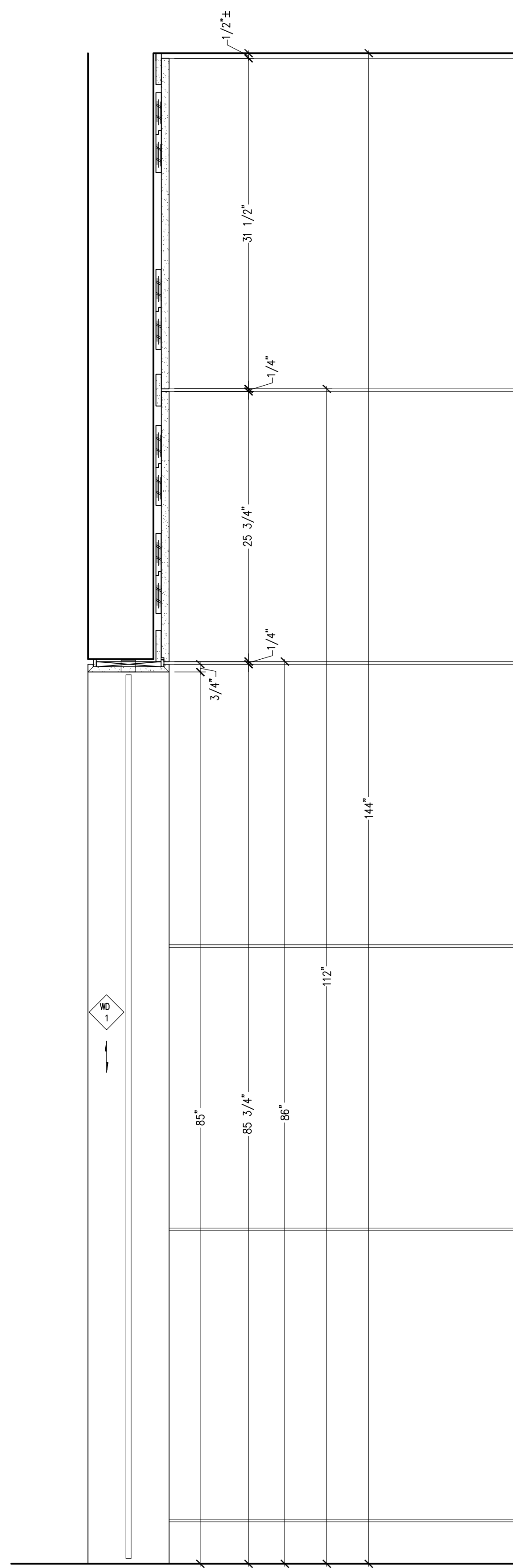
DELIVERY DATE

REVISIONS		
NO.	DATE	DESCRIPTION
1		
2		
3		
4		
5		
6		
7		
8		
9		
10		
11		
12		

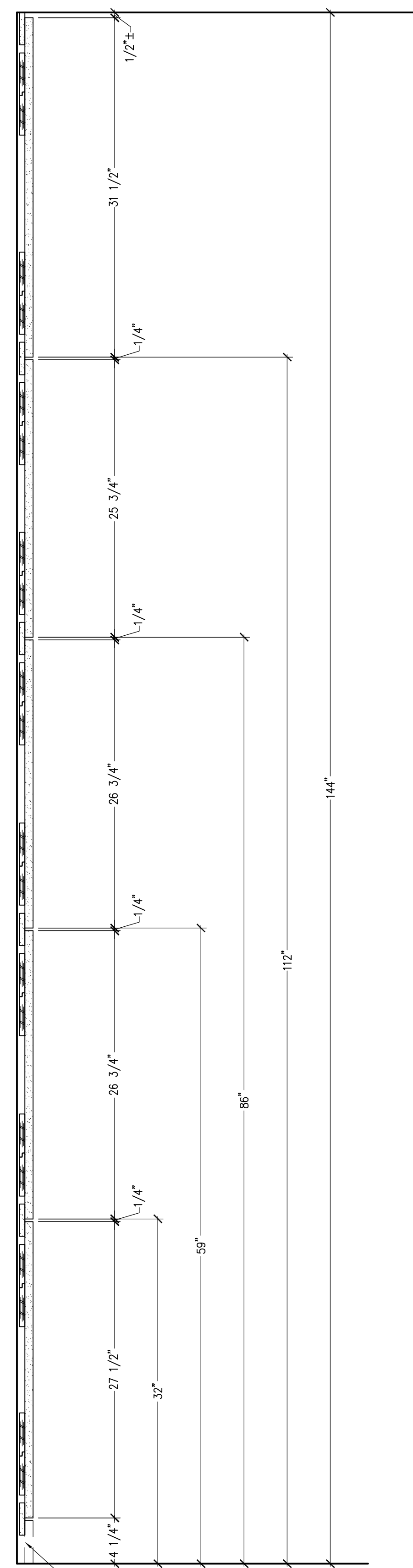
SHEET NO.

15-6

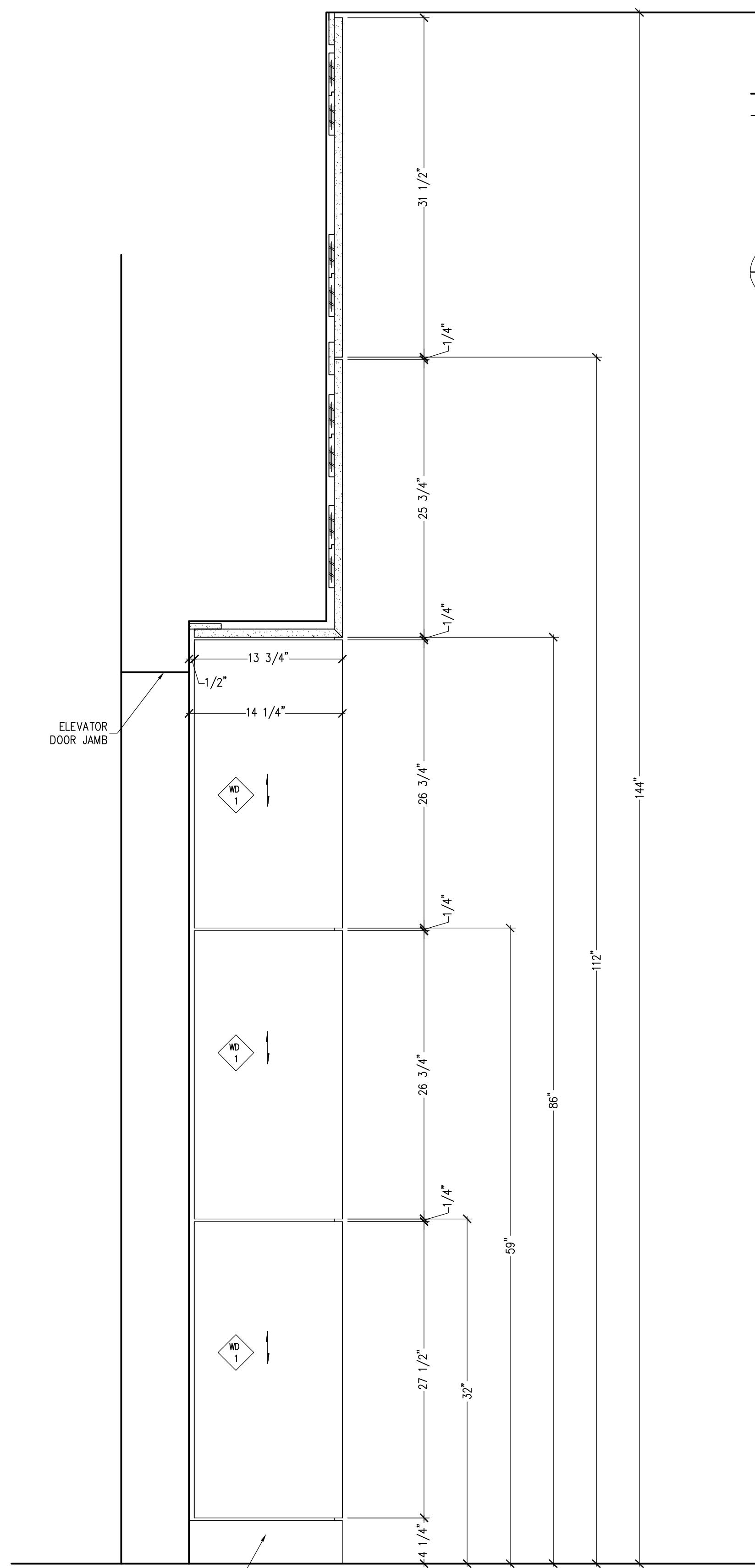
PRELIMINARY



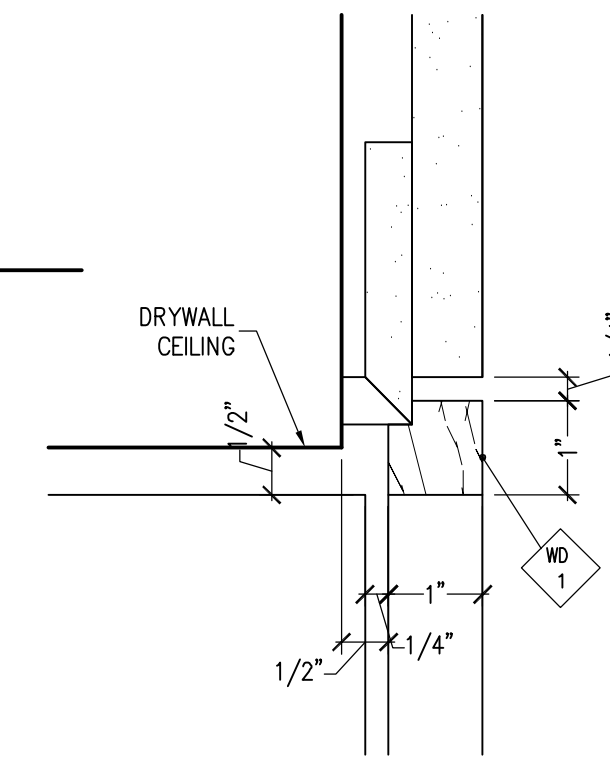
1 VERTICAL SECTION
15-7 SCALE: 1 1/2"-12" REF: NONE



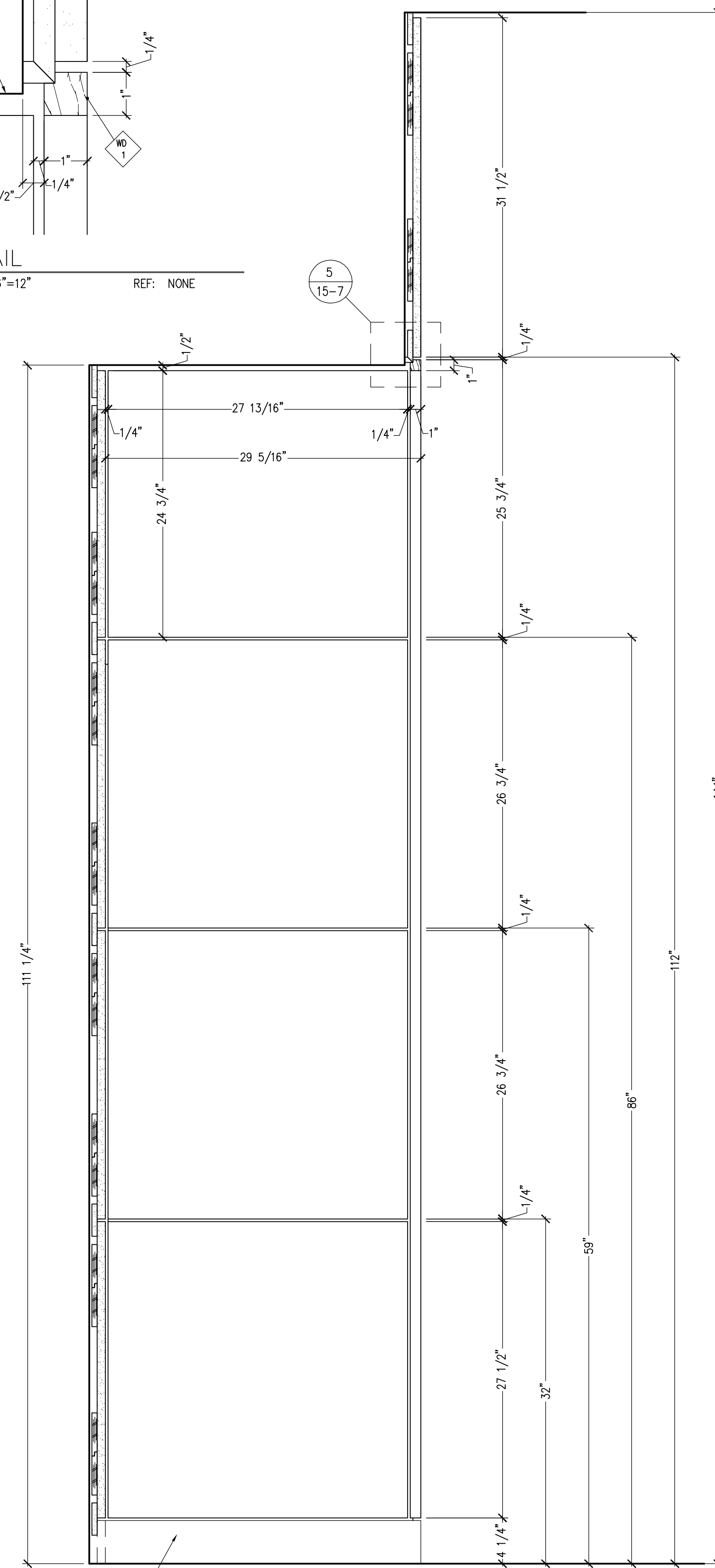
2 VERTICAL SECTION
15-7 SCALE: 1 1/2"-12" REF: 1/A-531



3 VERTICAL SECTION
15-7 SCALE: 1 1/2"-12" REF: NONE



5 DETAIL
15-7 SCALE: 6"-12" REF: NONE



4 VERTICAL SECTION
15-7 SCALE: 1 1/2"-12" REF: NONE

PROJECT NO.		
CUTBILL NO.		
PSI WORK ORDER NO.		
SCALE AS SHOWN		
DRAWN BY TM	DATE 06/08/06	
DELIVERY DATE		
REVISIONS		
NO.	DATE	DESCRIPTION
1		
2		
3		
4		
5		
6		
7		
8		
9		
10		
11		
12		

SHEET NO.
15-7
PRELIMINARY