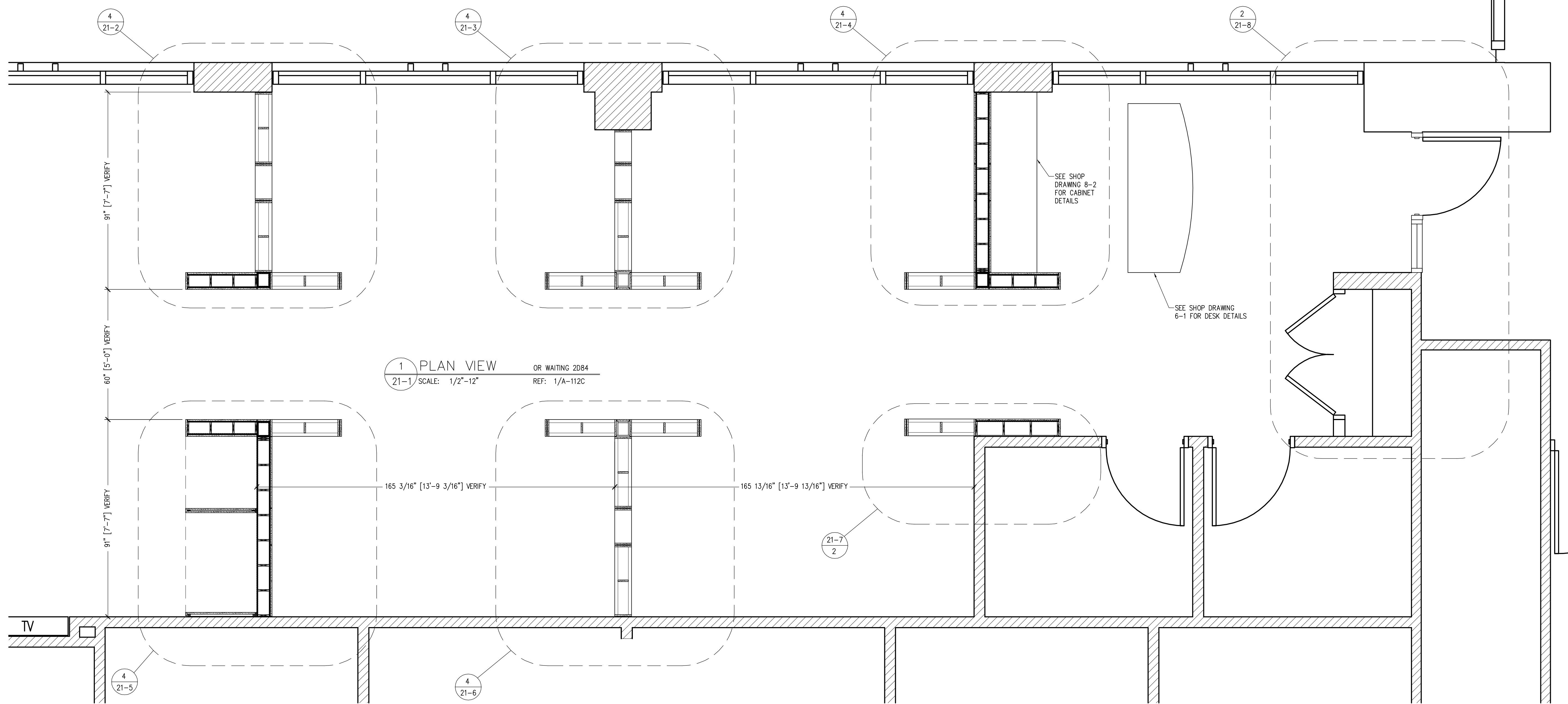


MATERIAL SPECIFICATIONS			
TYPE	DESCRIPTION	M.R.	
CORE	F.R. PARTICLE BOARD		
VENEER	RIFT CUT WHITE OAK		
SOLID	RIFT SAWN WHITE OAK		
FINISH	TO MATCH SAMPLE		
HARDWARE LIST			
QTY:	DESCRIPTION	M.R.	
INFORMATION SYSTEMS			
ITEM #	DESCRIPTION	CUST.	PROD.

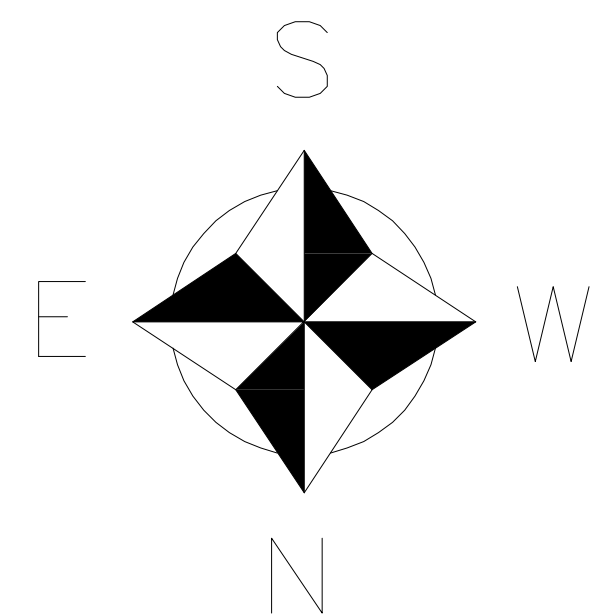


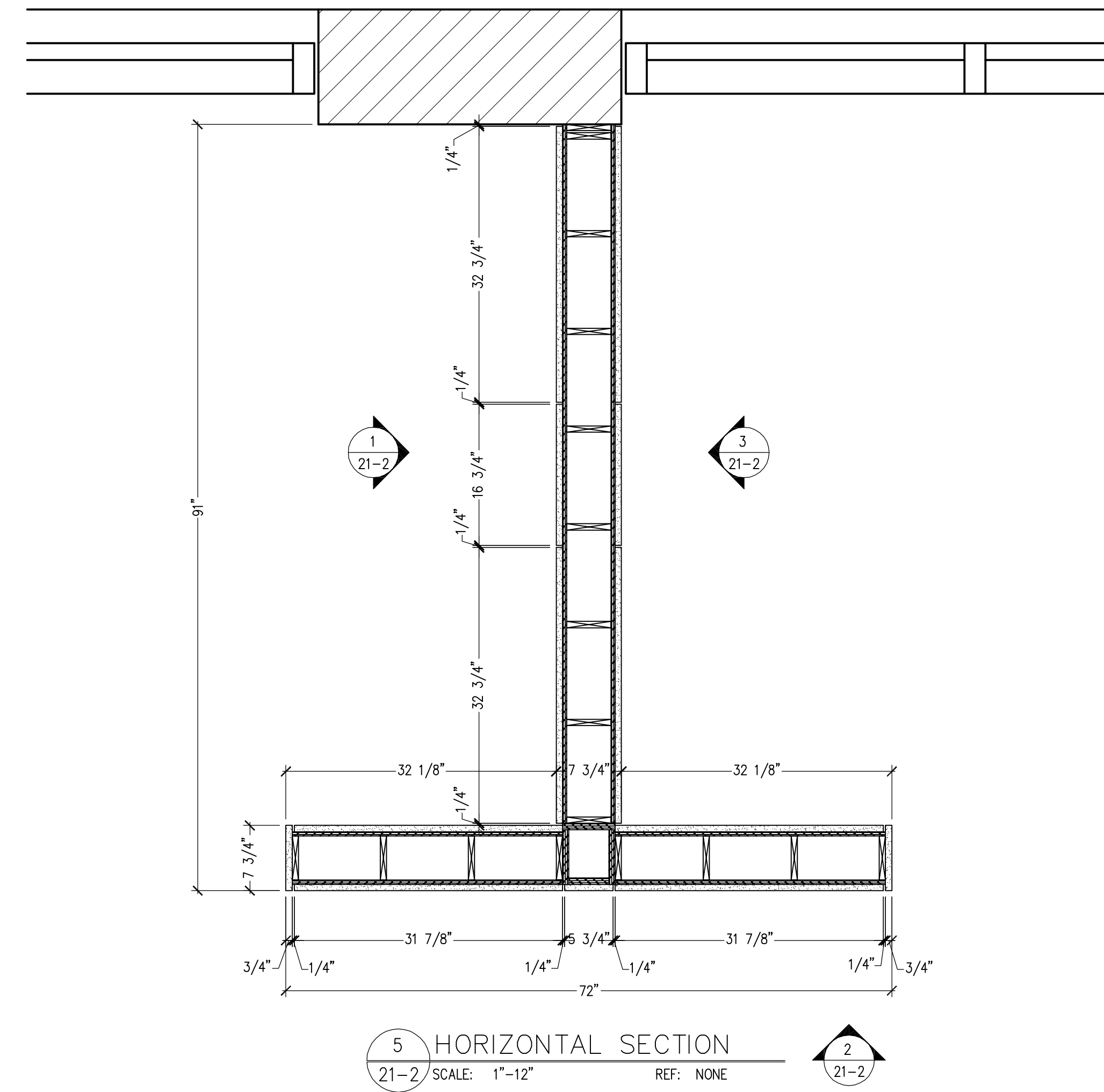
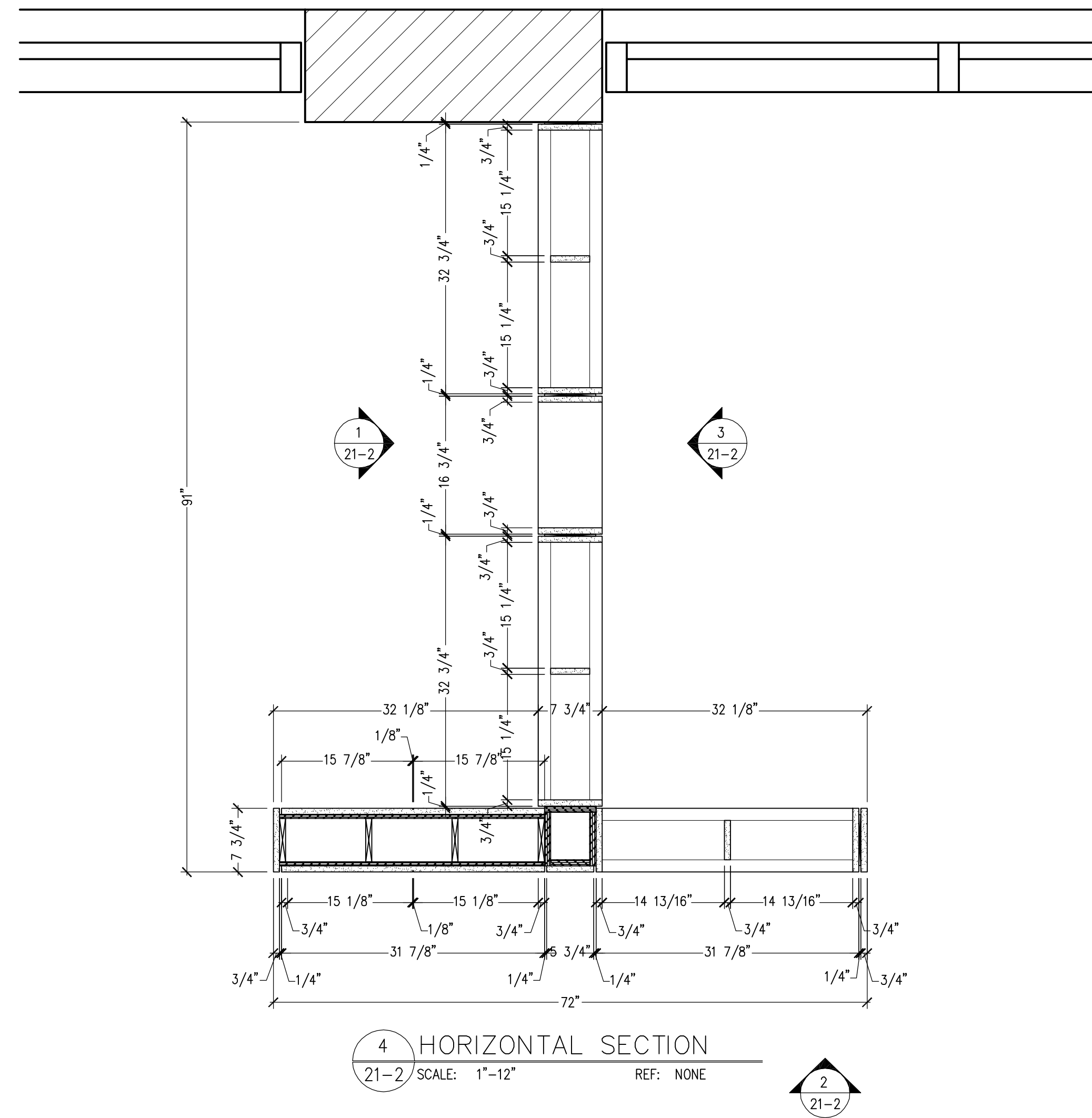
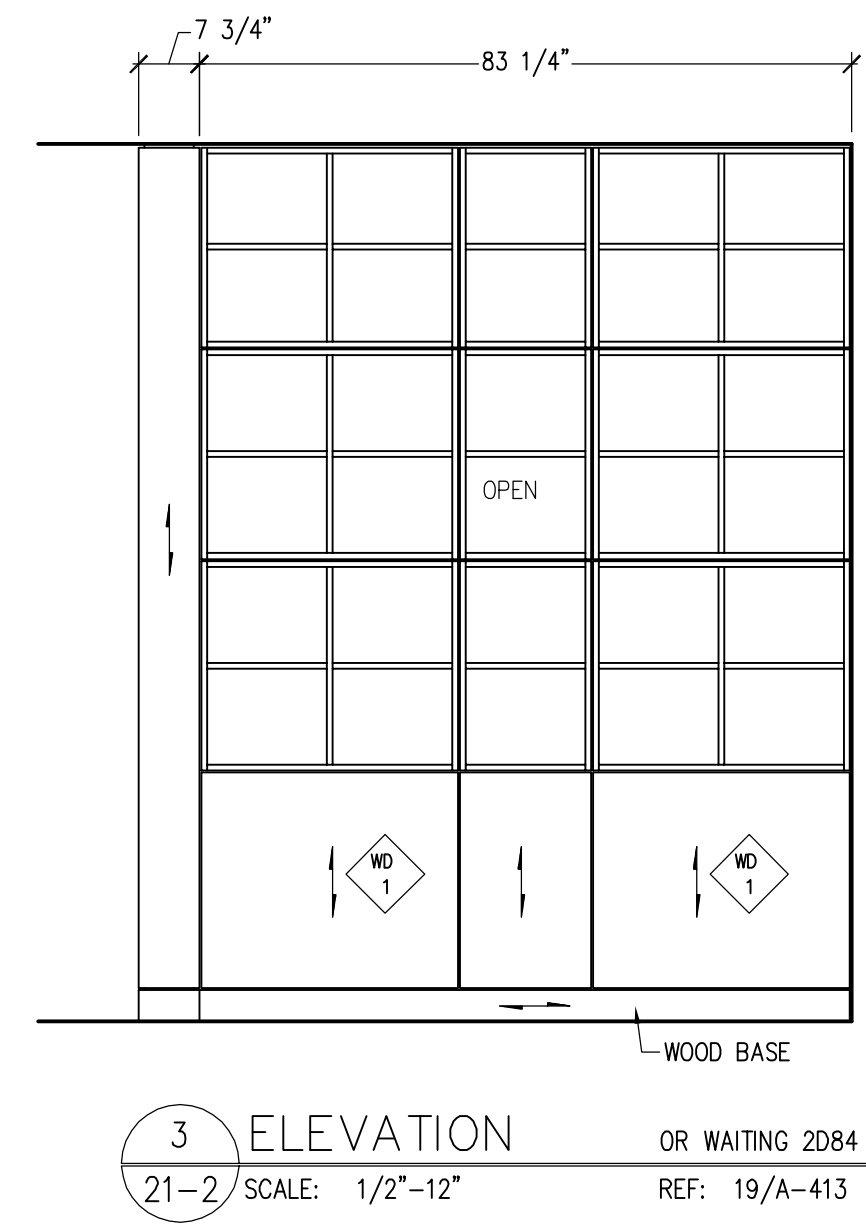
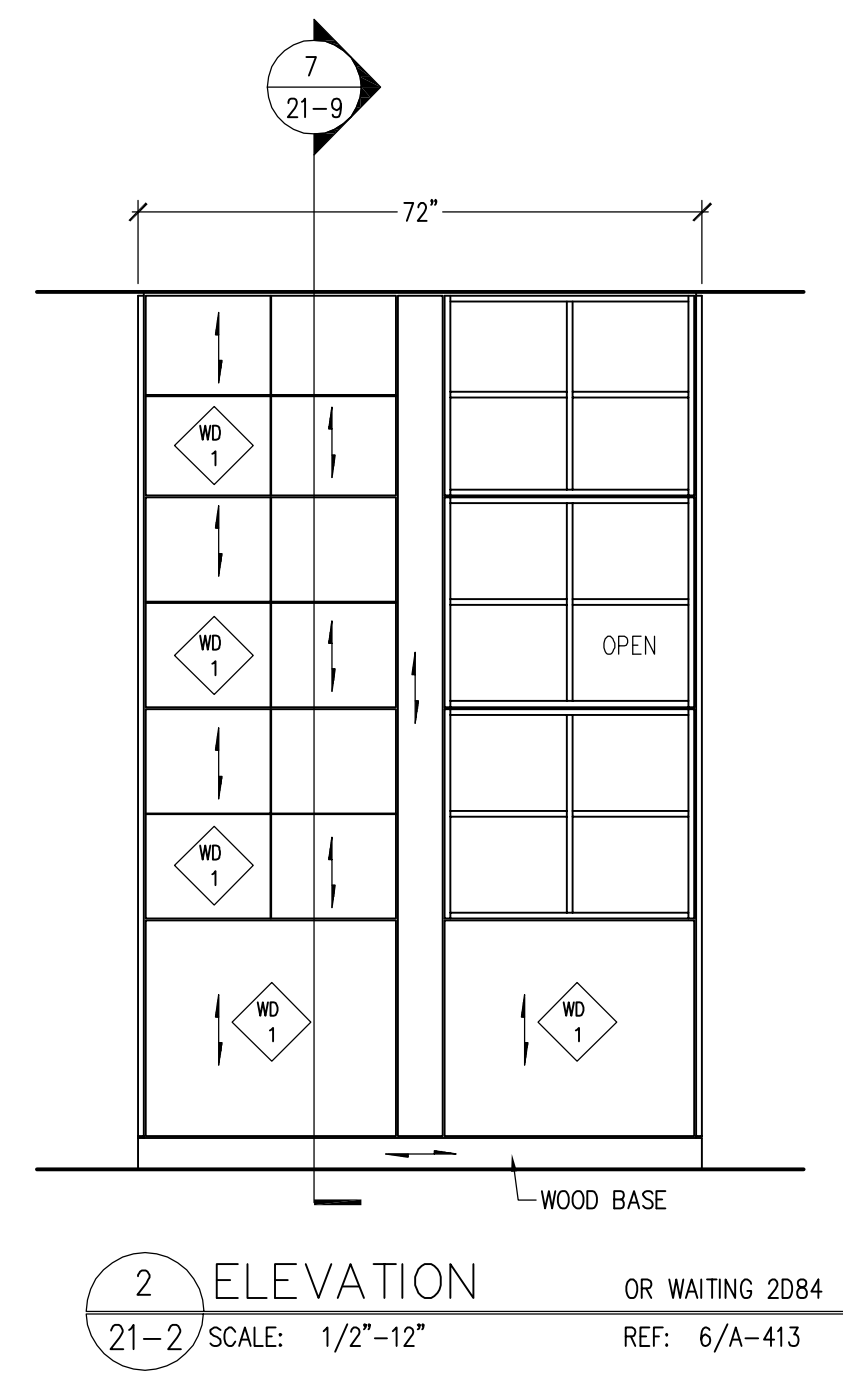
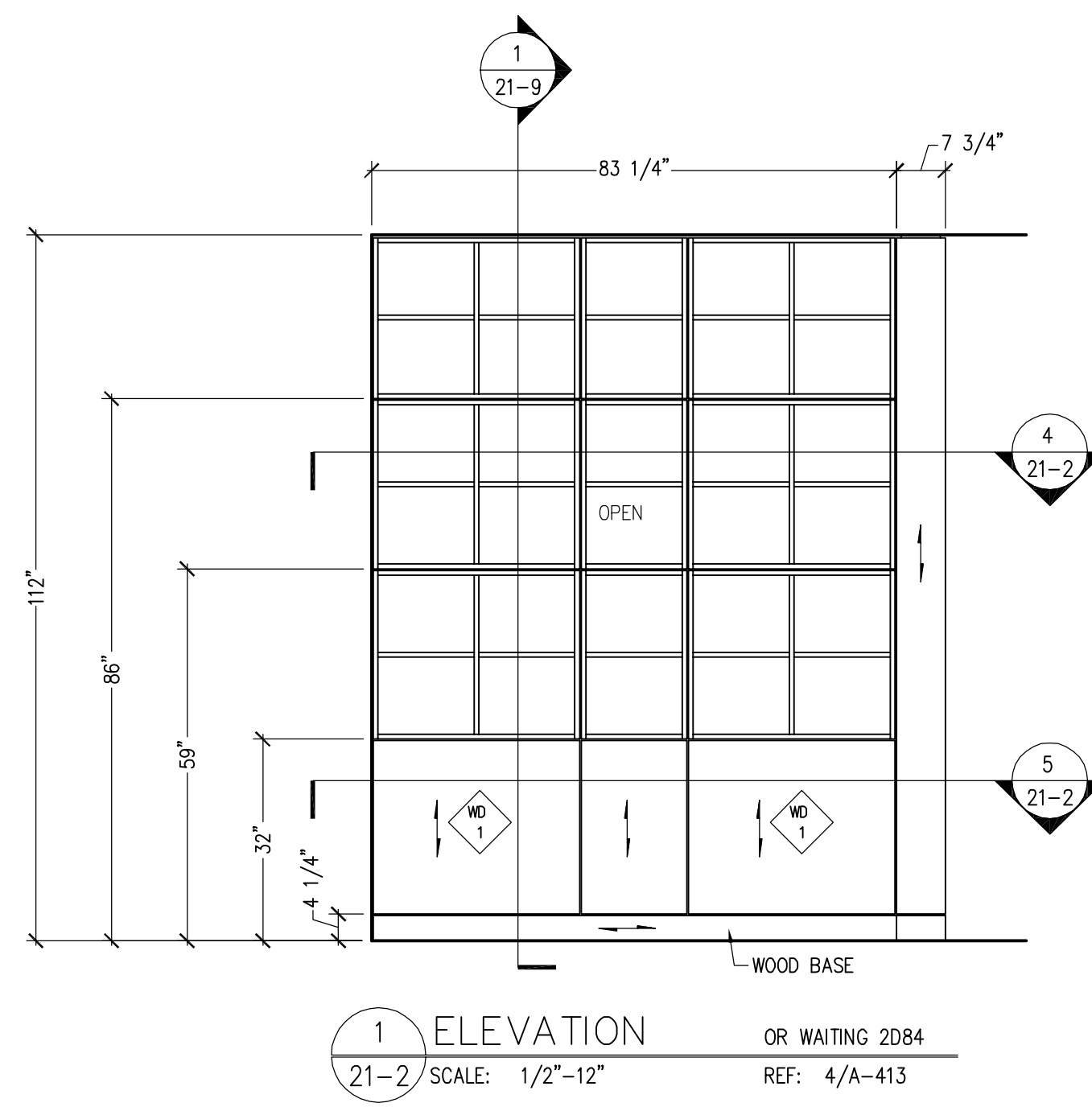
1 PLAN VIEW  
 21-1 SCALE: 1/2"=12" OR WAITING 2084 REF: 1/A-112C

PROJECT NO.  
 CUTBILL NO.  
 PSI WORK ORDER NO.  
 SCALE AS SHOWN  
 DRAWN BY DATE  
 TM 06/19/06  
 DELIVERY DATE

REVISIONS		
NO.	DATE	DESCRIPTION
1		
2		
3		
4		
5		
6		
7		
8		
9		
10		
11		
12		

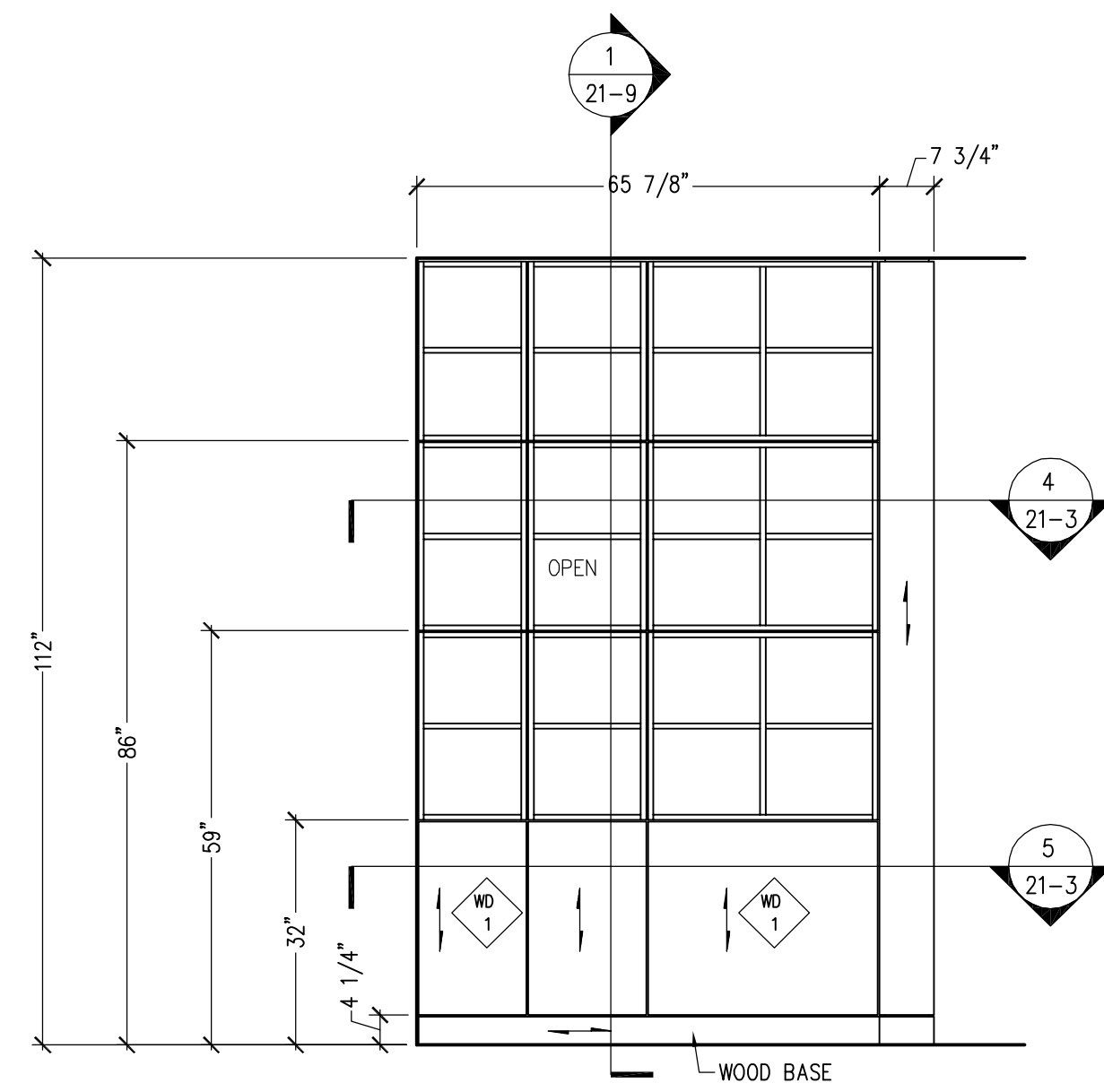
SHEET NO.  
 21-1  
 PRELIMINARY



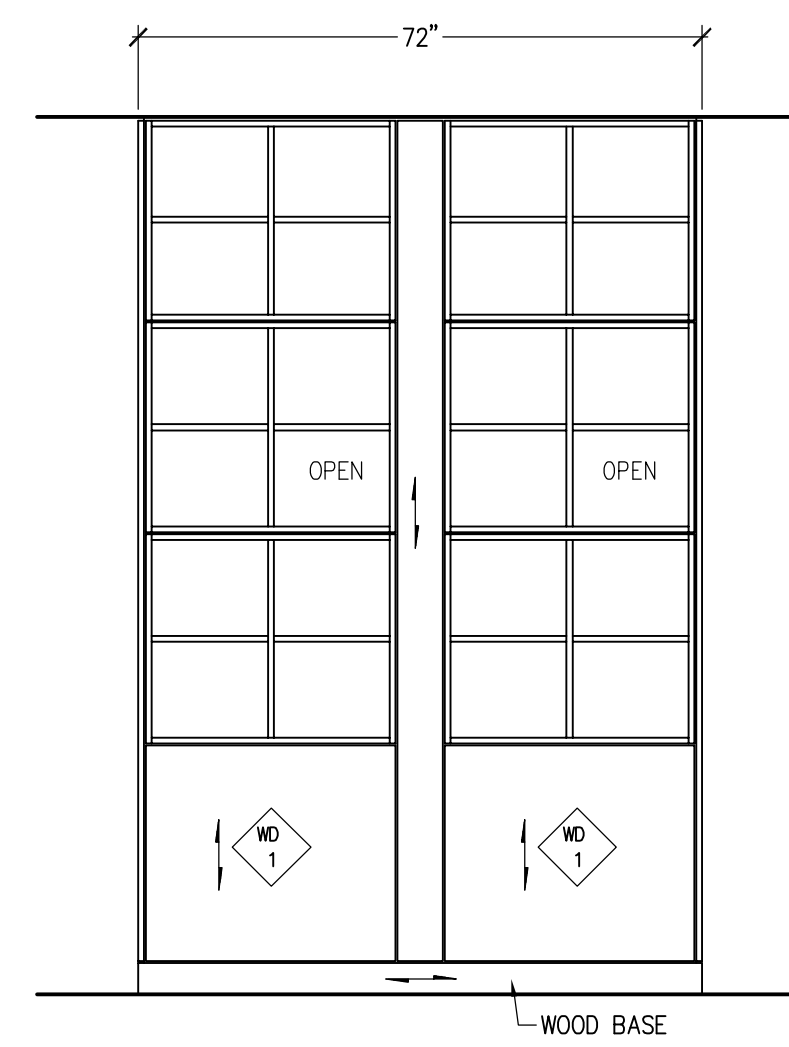


PROJECT NO.		
CUTBILL NO.		
PSI WORK ORDER NO.		
SCALE AS SHOWN		
DRAWN BY TM	DATE 06/19/06	
DELIVERY DATE		
REVISIONS		
NO.	DATE	DESCRIPTION
1		
2		
3		
4		
5		
6		
7		
8		
9		
10		
11		
12		
SHEET NO.		

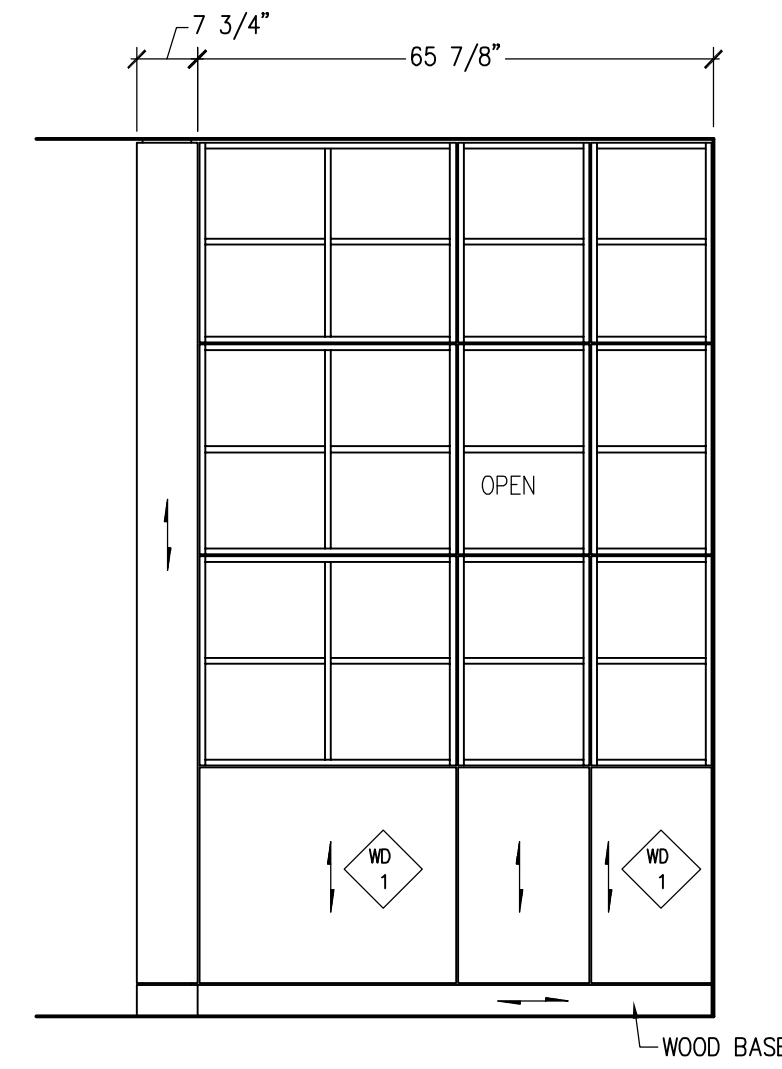
21-2  
PRELIMINARY



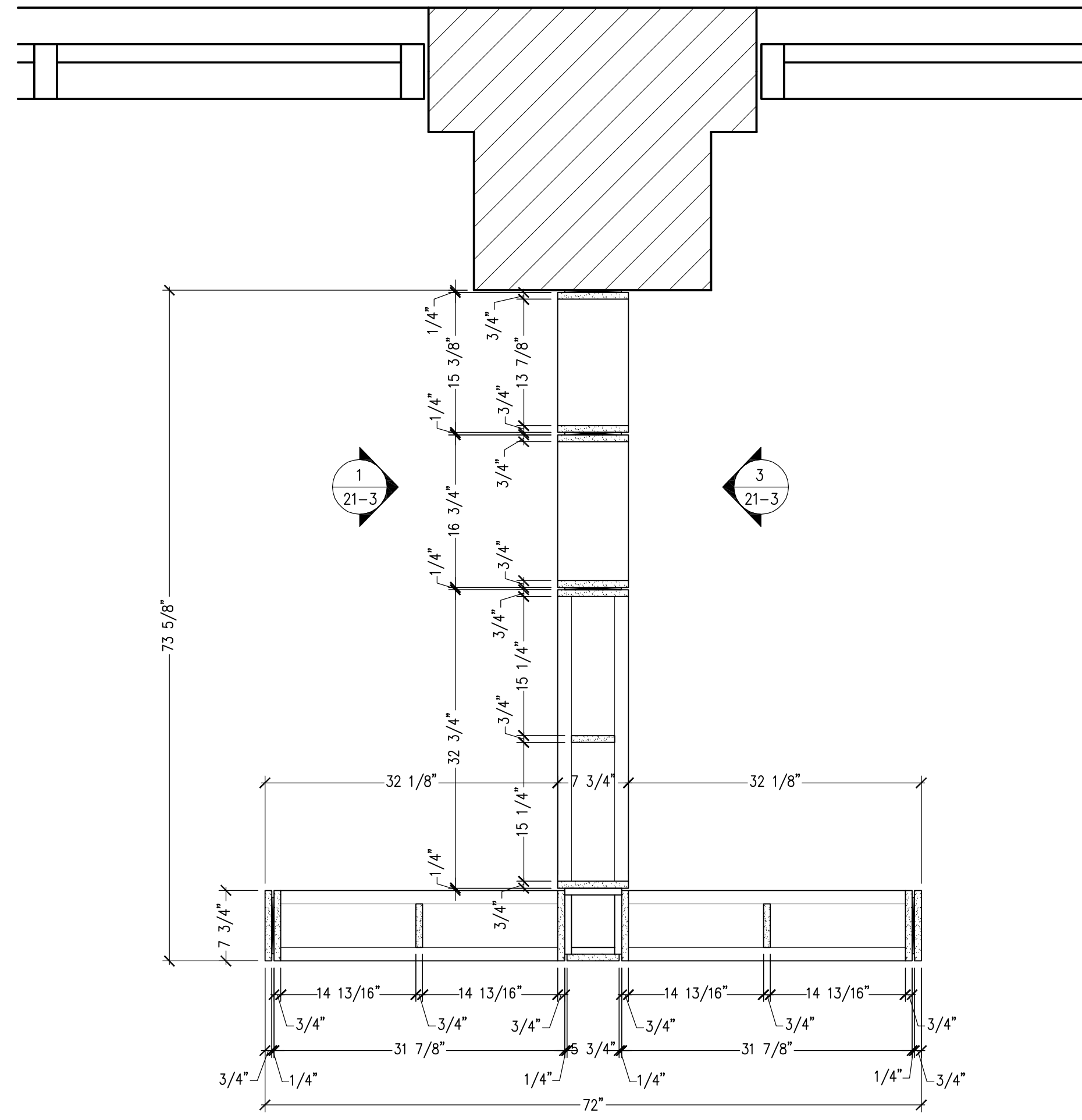
1 ELEVATION  
21-3 SCALE: 1/2"-12" OR WAITING 2D84  
REF: 9/A-413



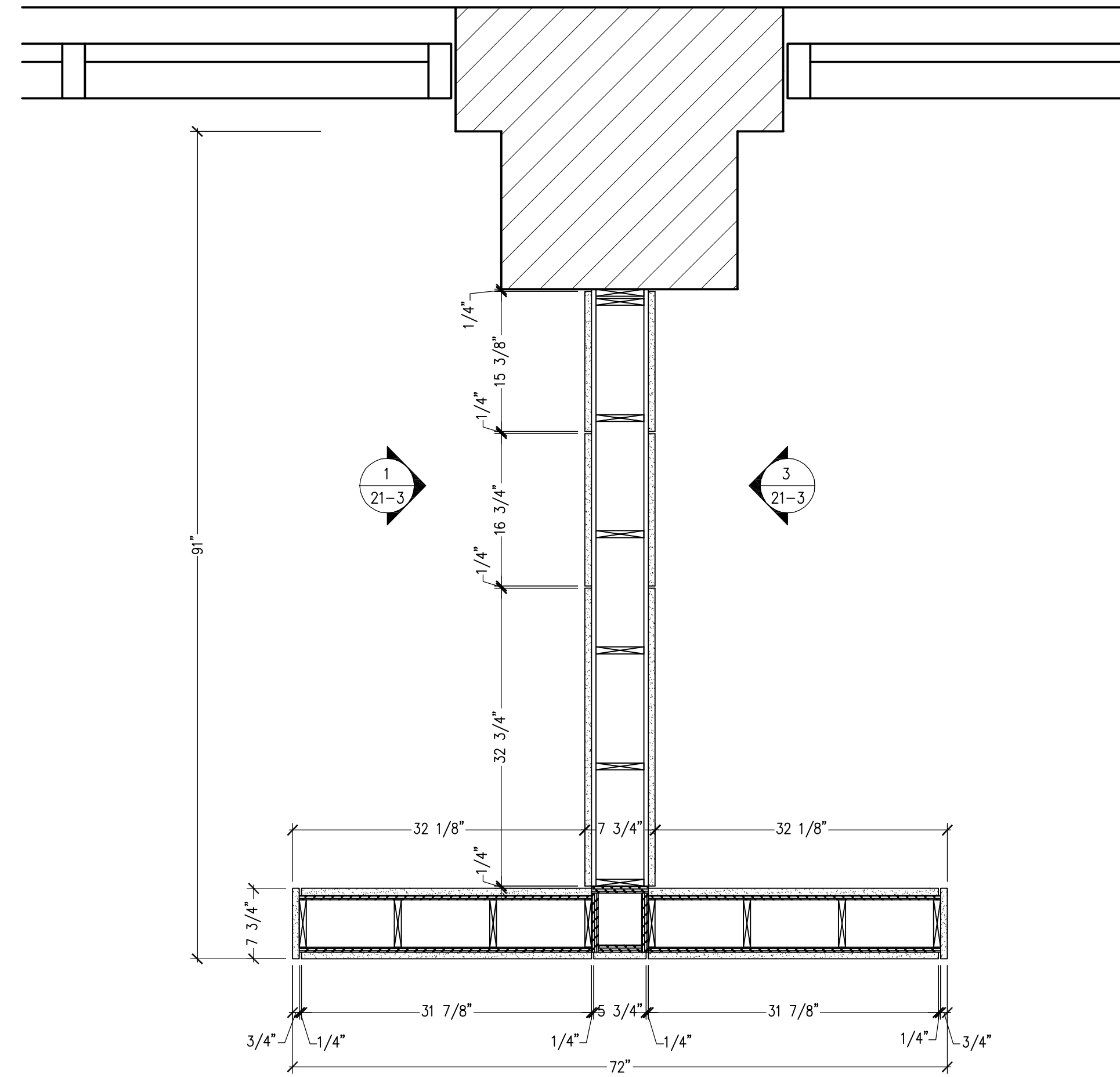
2 ELEVATION  
21-3 SCALE: 1/2"-12" OR WAITING 2D84  
REF: 6/A-413



3 ELEVATION  
21-3 SCALE: 1/2"-12" OR WAITING 2D84  
REF: 9/A-413



4 HORIZONTAL SECTION  
21-3 SCALE: 1"-12" REF: NONE



5 HORIZONTAL SECTION  
21-3 SCALE: 1"-12" REF: NONE

PROJECT NO.

CUTBILL NO.

PSI WORK ORDER NO.

SCALE  
AS SHOWN

DRAWN BY  
TM DATE  
06/20/06

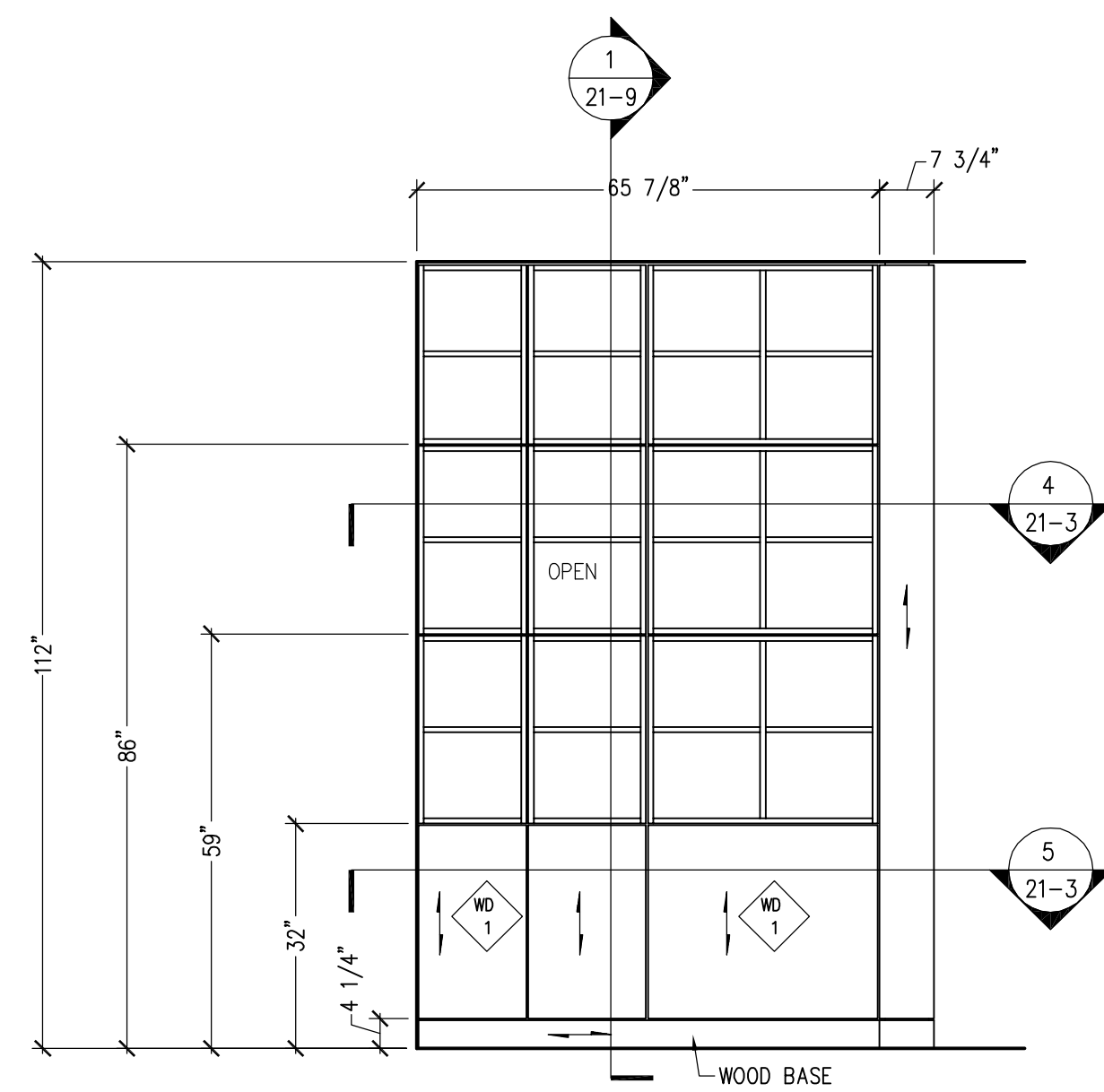
DELIVERY DATE

REVISIONS

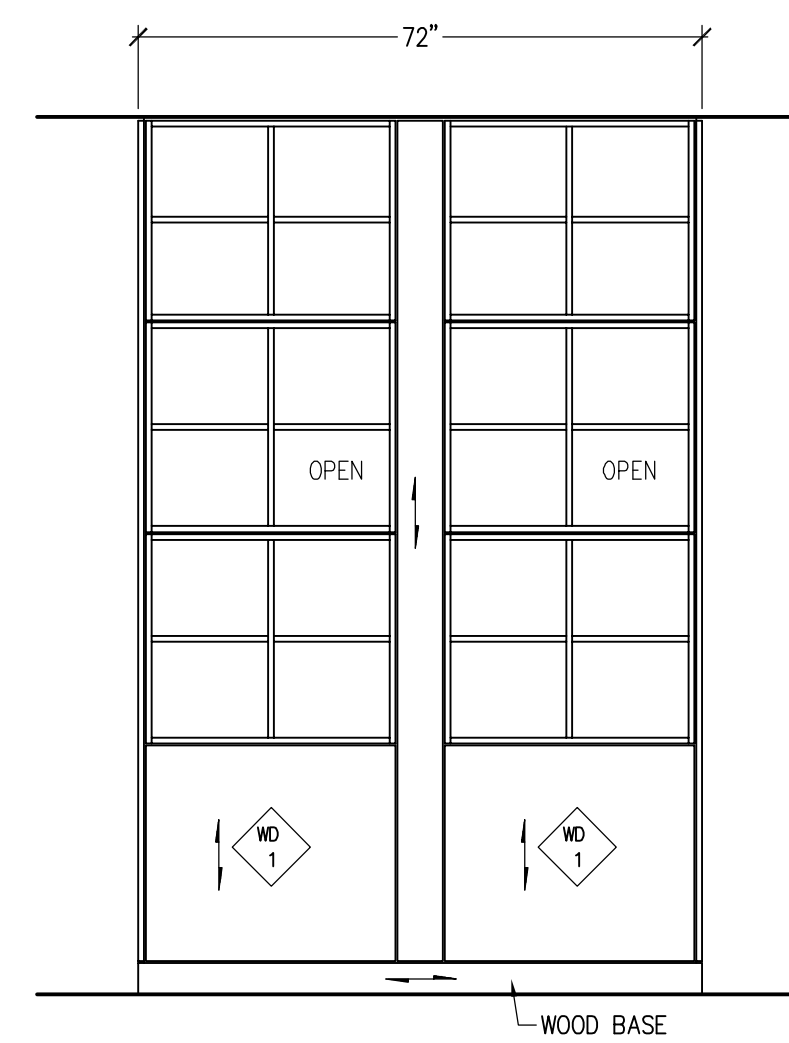
NO.	DATE	DESCRIPTION
1		
2		
3		
4		
5		
6		
7		
8		
9		
10		
11		
12		

SHEET NO.

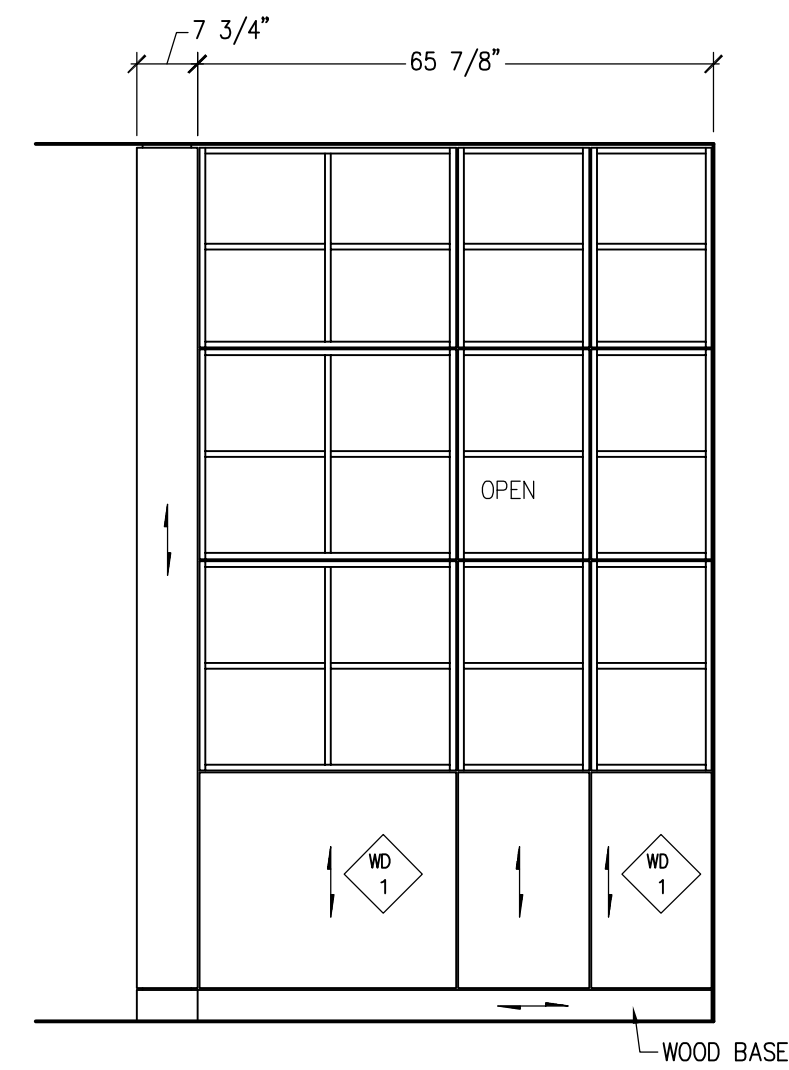
21-3  
PRELIMINARY



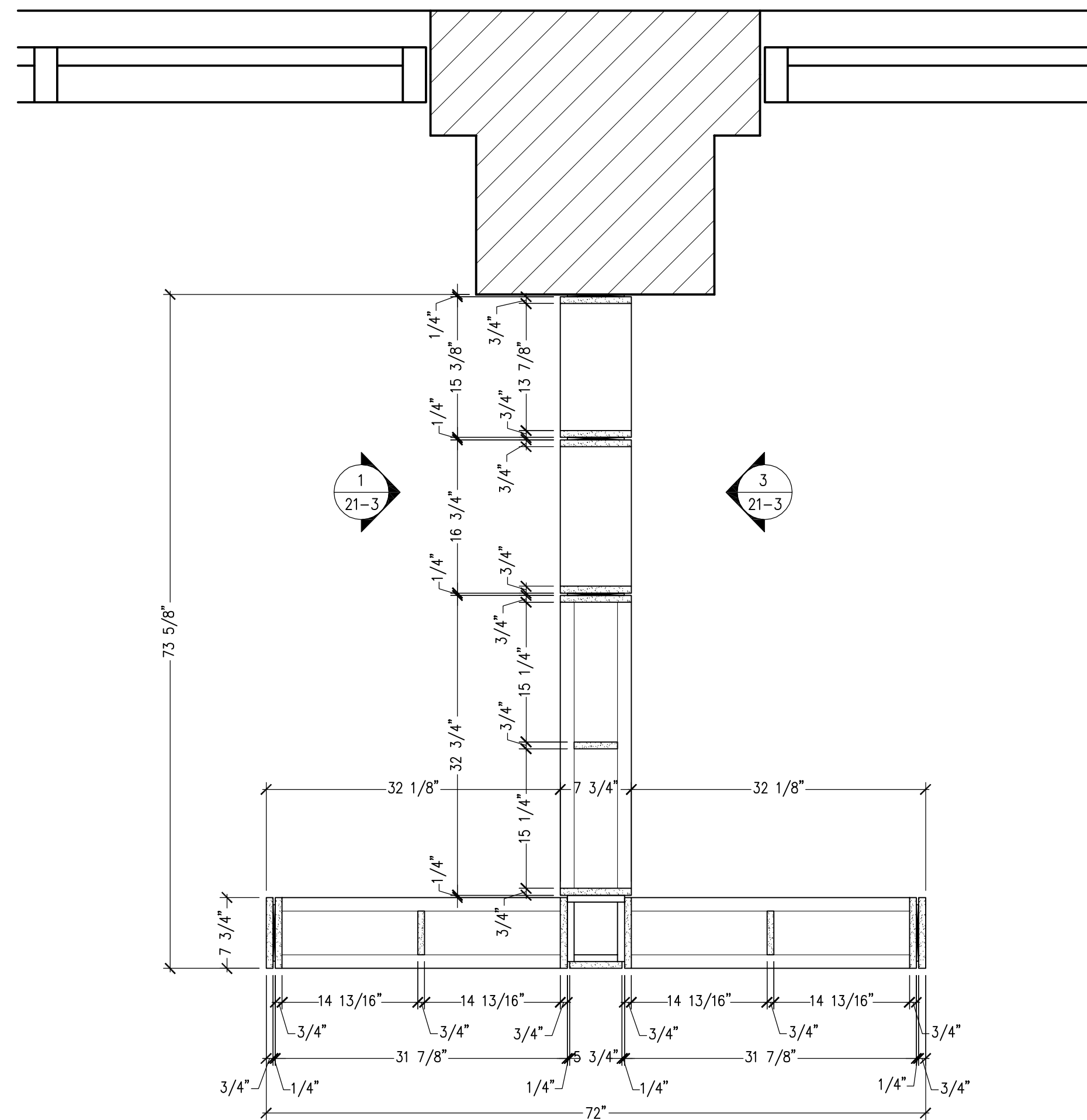
1 ELEVATION  
21-3 SCALE: 1/2"-12" OR WAITING 2D84  
REF: 9/A-413



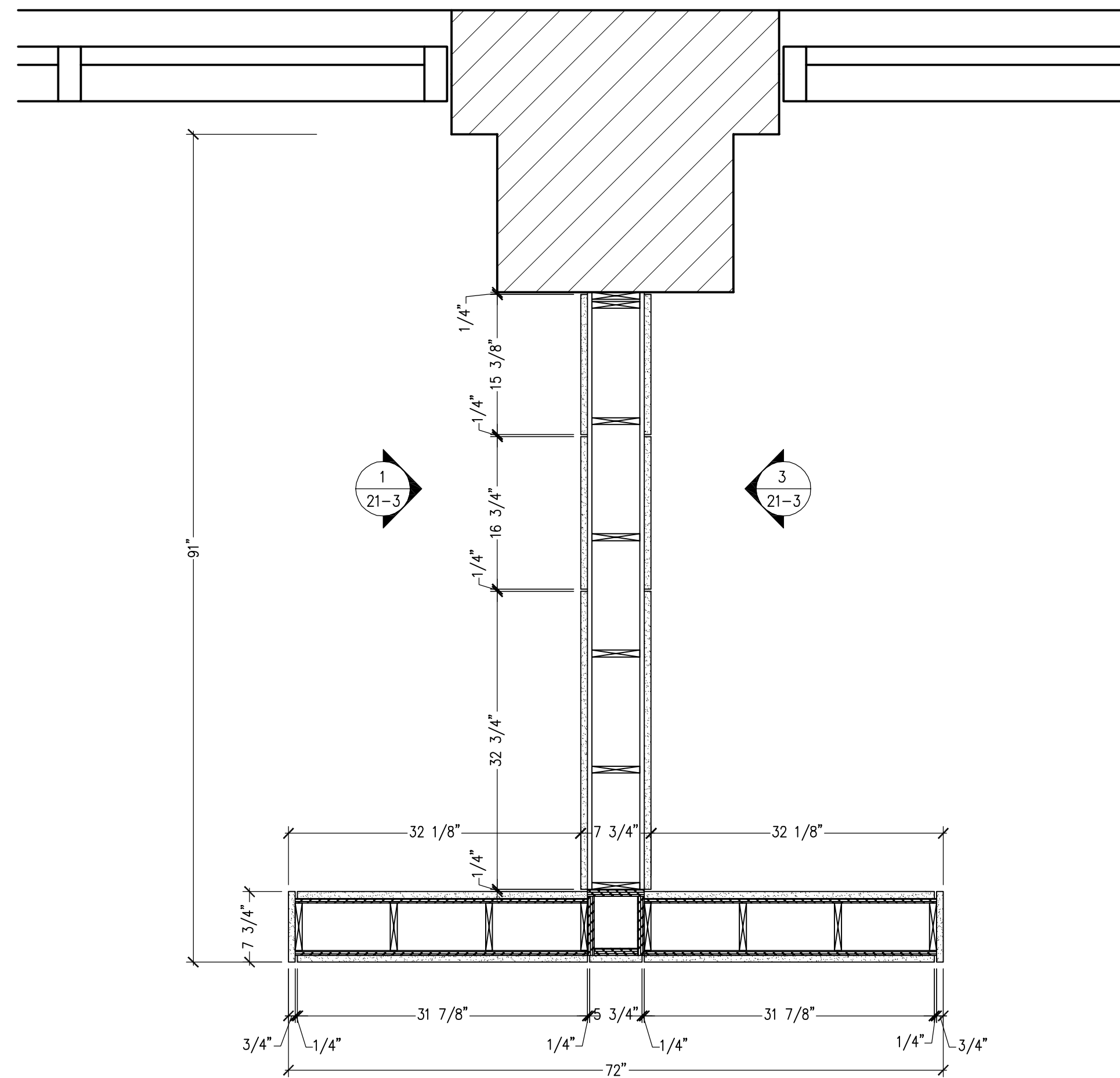
2 ELEVATION  
21-3 SCALE: 1/2"-12" OR WAITING 2D84  
REF: 6/A-413



3 ELEVATION  
21-3 SCALE: 1/2"-12" OR WAITING 2D84  
REF: 9/A-413



4 HORIZONTAL SECTION  
21-3 SCALE: 1"-12" REF: NONE



5 HORIZONTAL SECTION  
21-3 SCALE: 1"-12" REF: NONE

PROJECT NO.

CUTBILL NO.

PSI WORK ORDER NO.

SCALE  
AS SHOWN

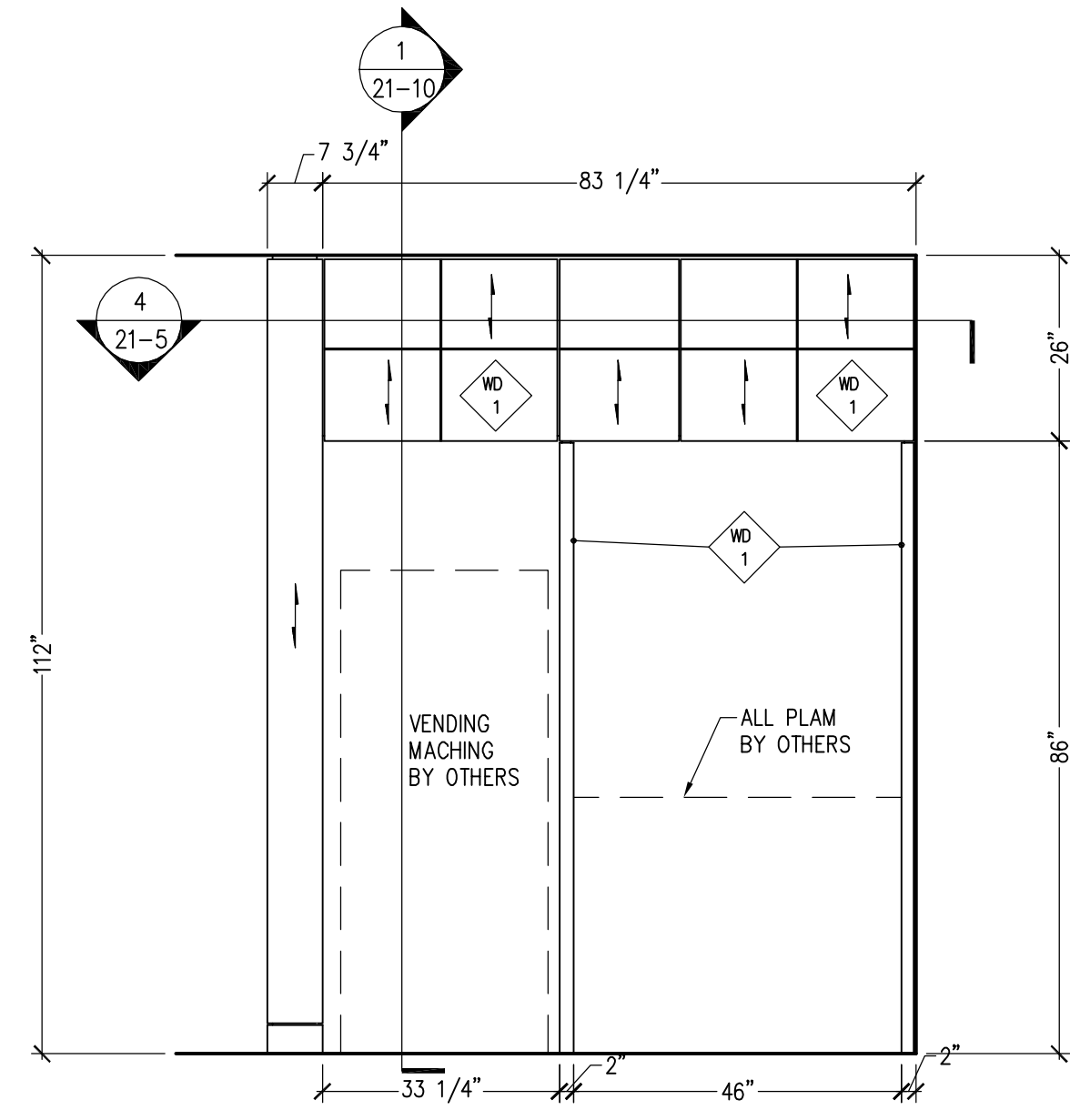
DRAWN BY  
TM DATE  
06/20/06

DELIVERY DATE

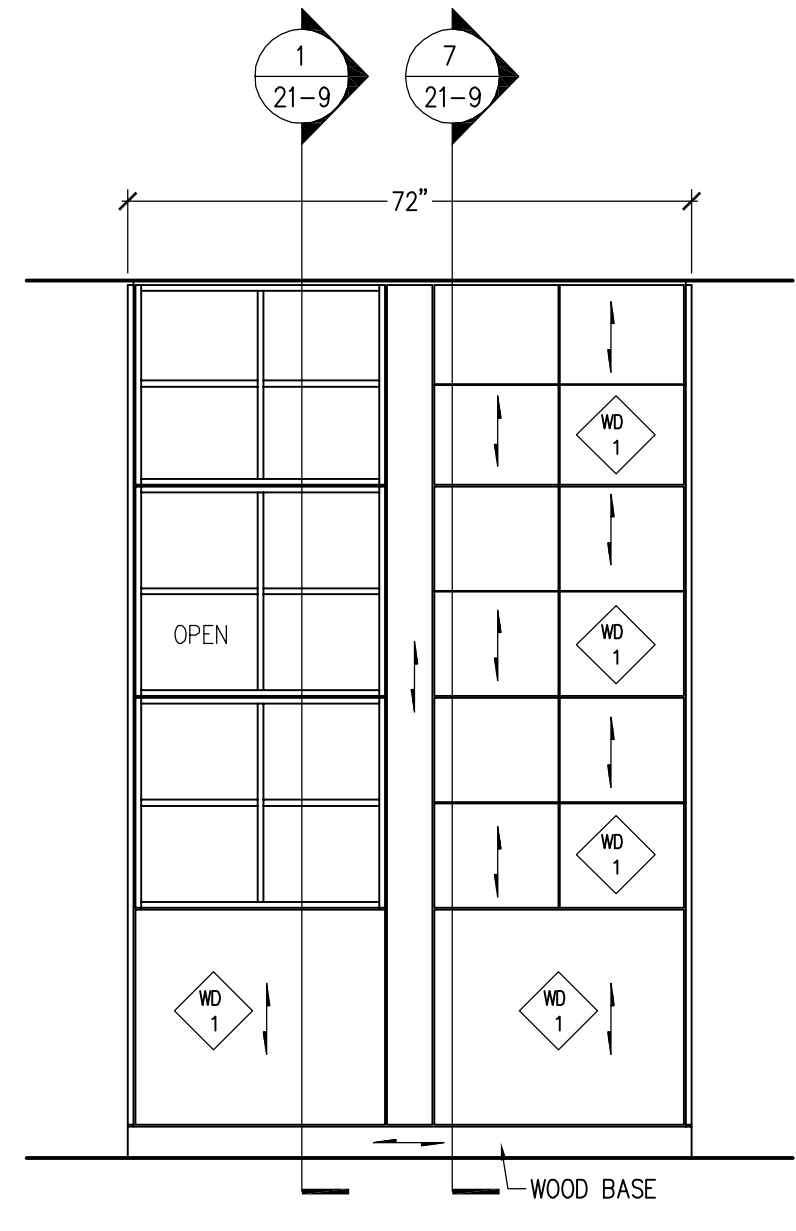
REVISIONS		
NO.	DATE	DESCRIPTION
1		
2		
3		
4		
5		
6		
7		
8		
9		
10		
11		
12		

SHEET NO.

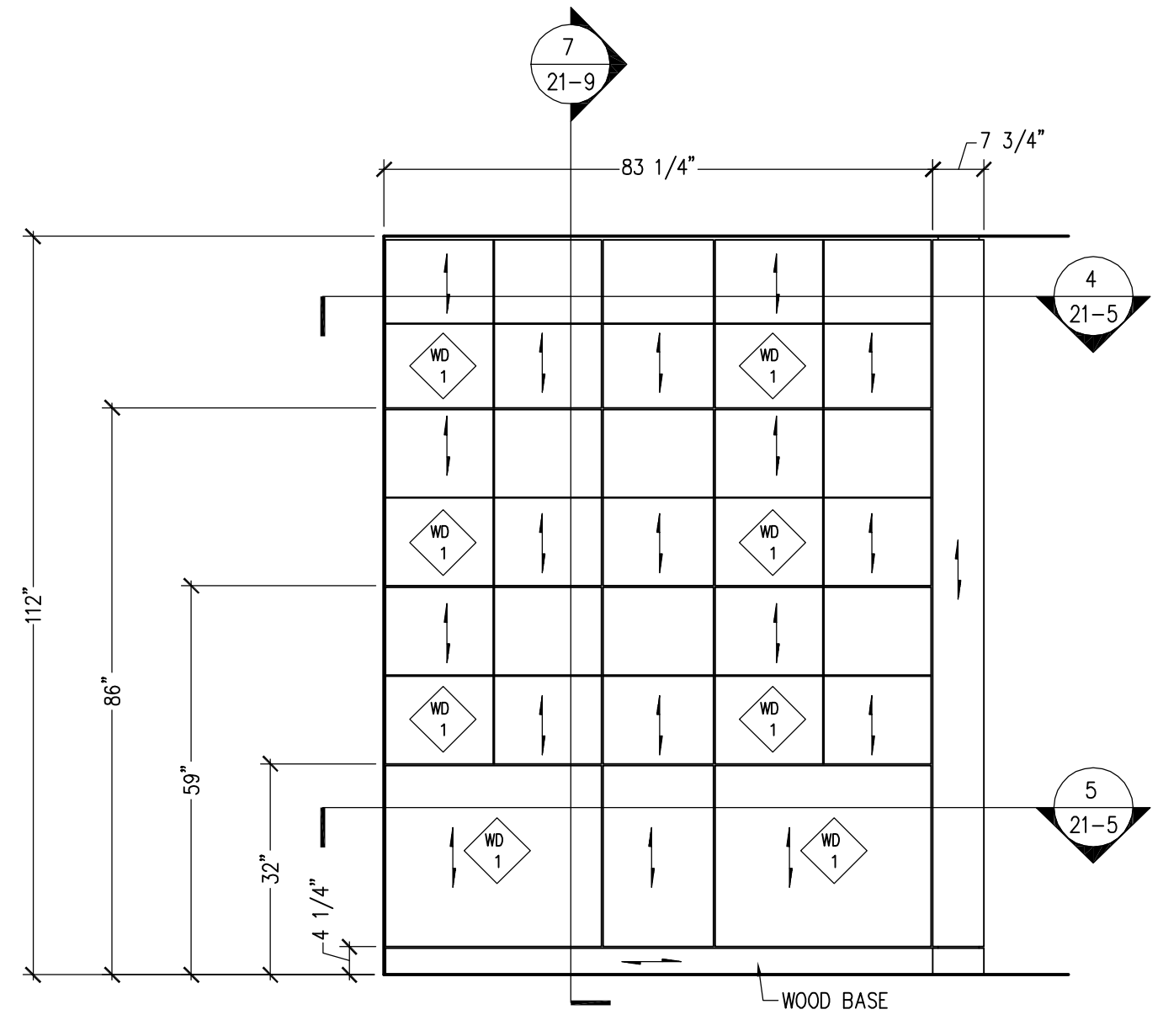
21-4  
PRELIMINARY



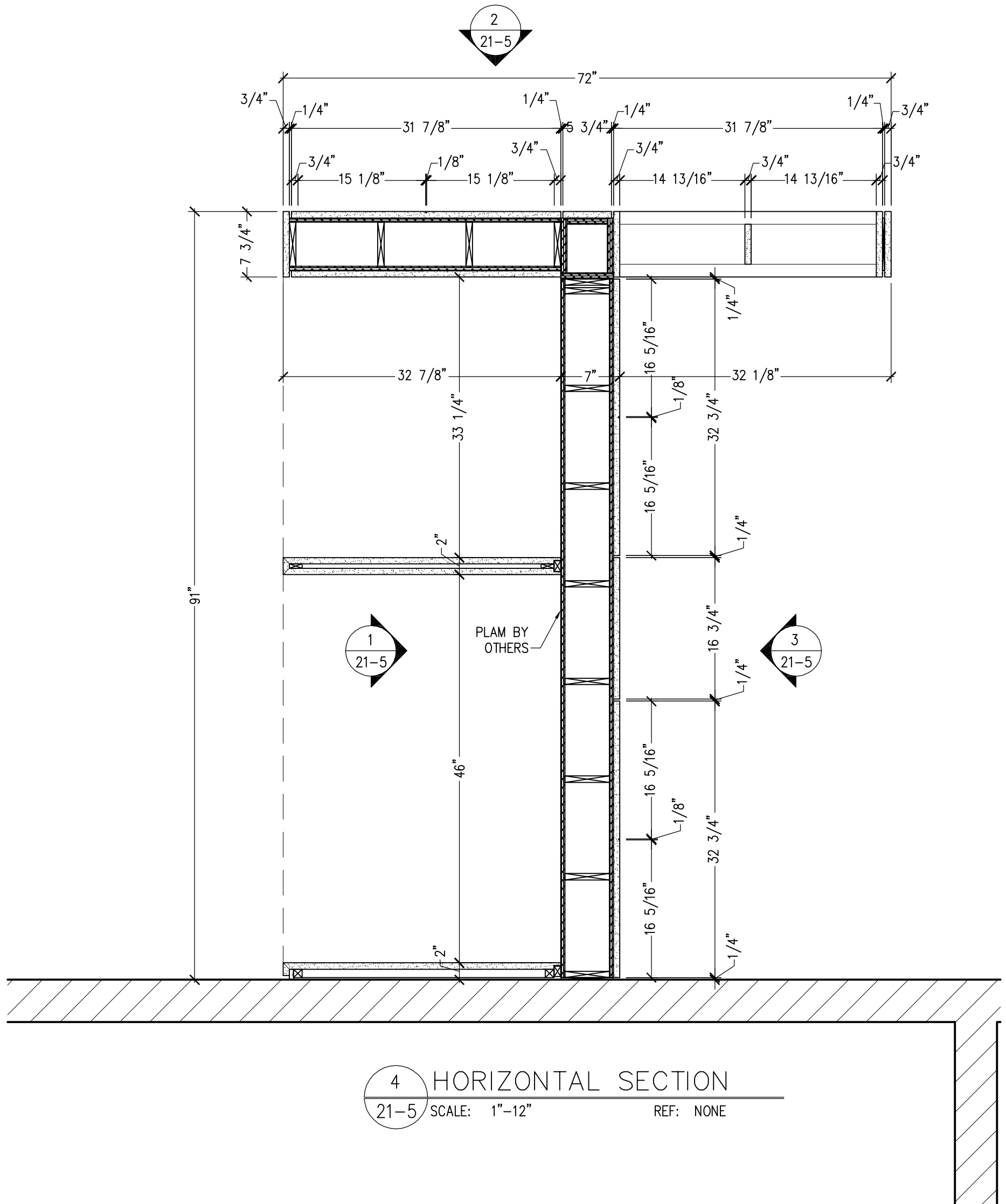
1 ELEVATION OR WAITING 2D84  
21-5 SCALE: 1/2"-12" REF: 4/A-413



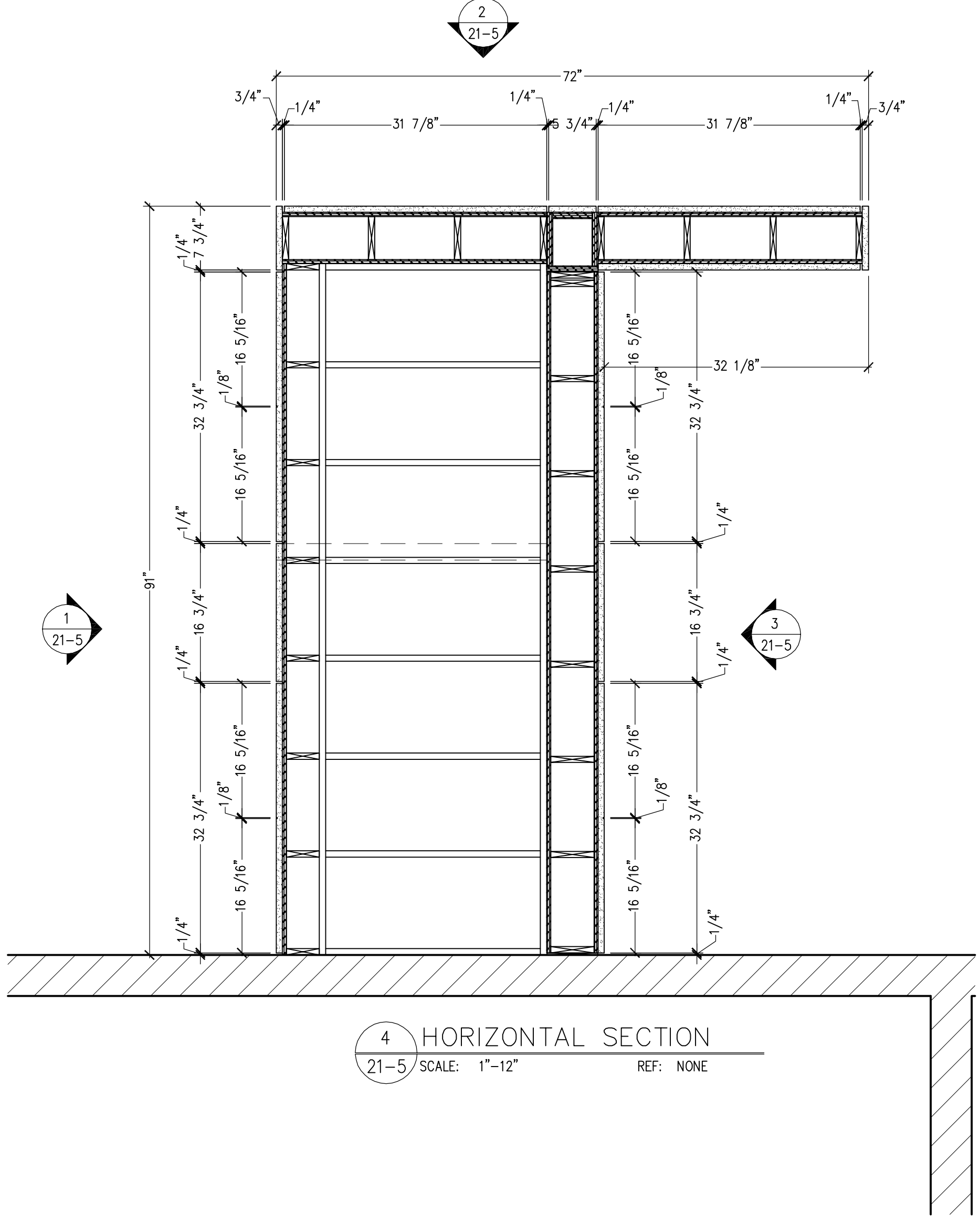
2 ELEVATION OR WAITING 2D84  
21-5 SCALE: 1/2"-12" REF: 1/A-413



3 ELEVATION OR WAITING 2D84  
21-5 SCALE: 1/2"-12" REF: 19/A-413

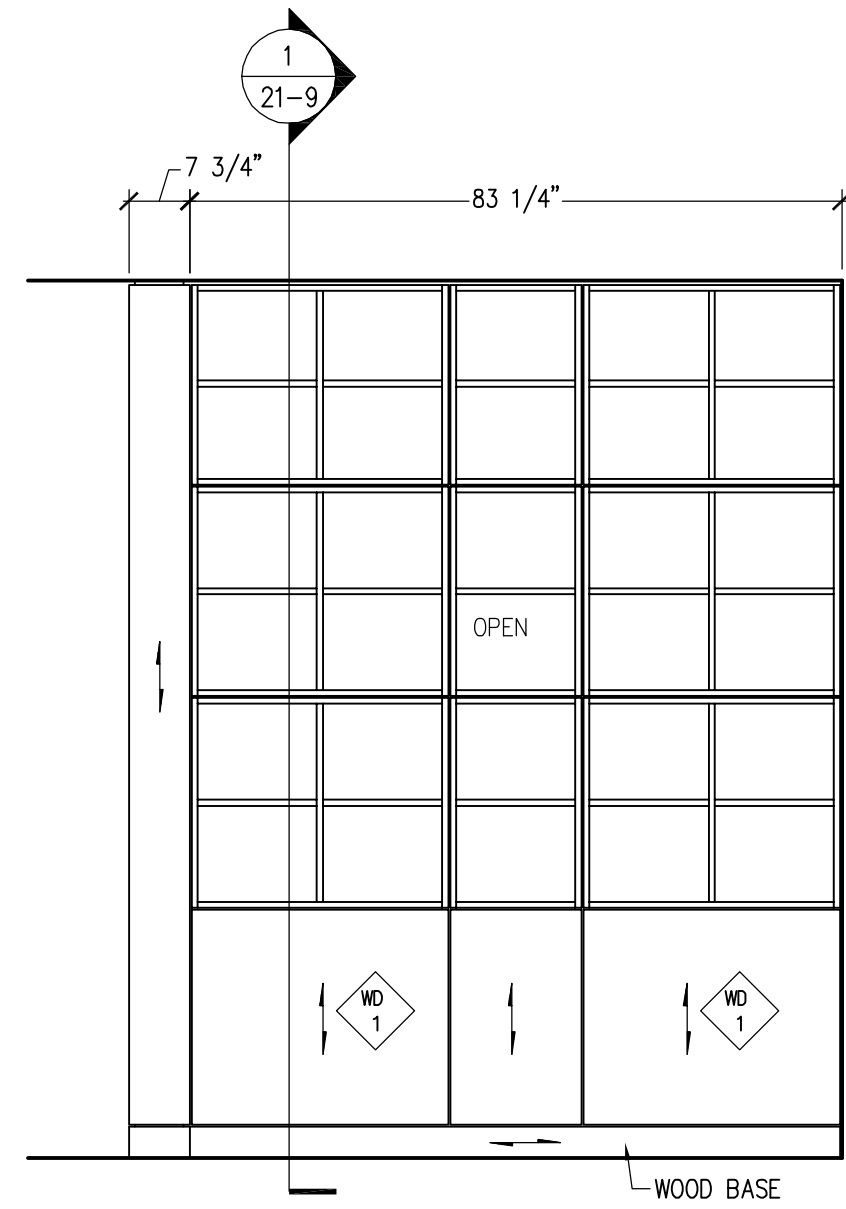


4 HORIZONTAL SECTION  
21-5 SCALE: 1"-12" REF: NONE

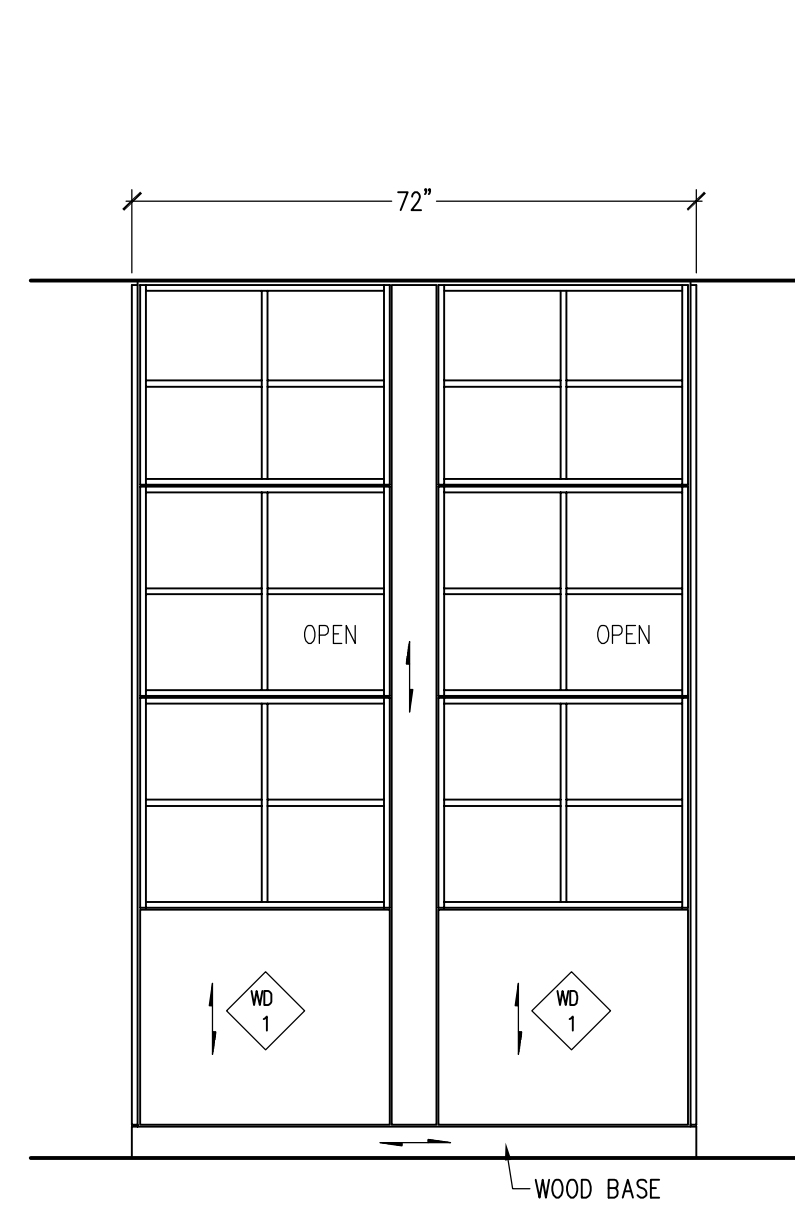


4 HORIZONTAL SECTION  
21-5 SCALE: 1"-12" REF: NONE

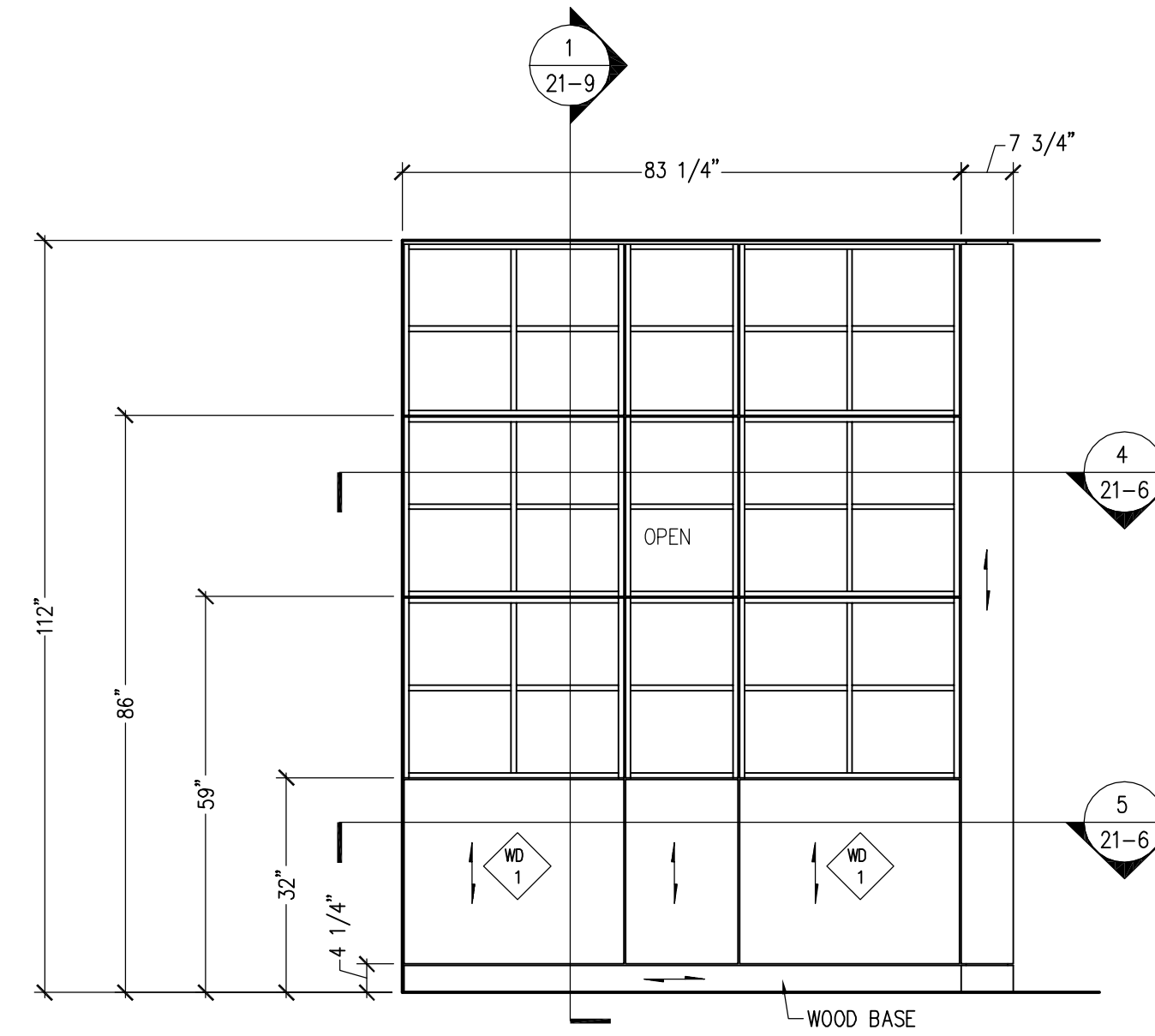
PROJECT NO.		
CUTBILL NO.		
PSI WORK ORDER NO.		
SCALE AS SHOWN		
DRAWN BY TM	DATE 06/20/06	
DELIVERY DATE		
REVISIONS		
NO.	DATE	DESCRIPTION
1		
2		
3		
4		
5		
6		
7		
8		
9		
10		
11		
12		
SHEET NO.		
21-5		
PRELIMINARY		



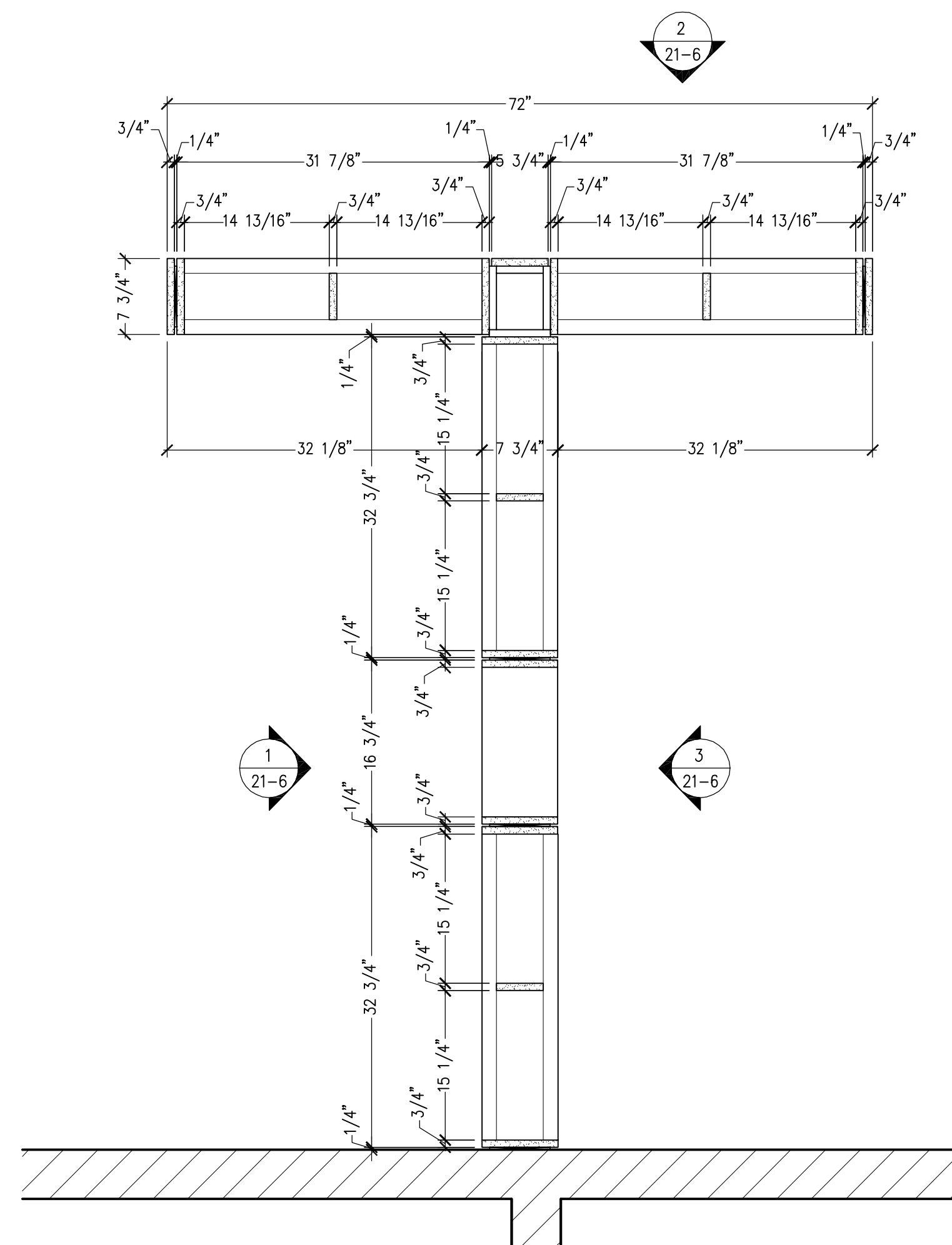
1 ELEVATION OR WAITING 2D84  
21-6 SCALE: 1/2"-12" REF: 4/A-413



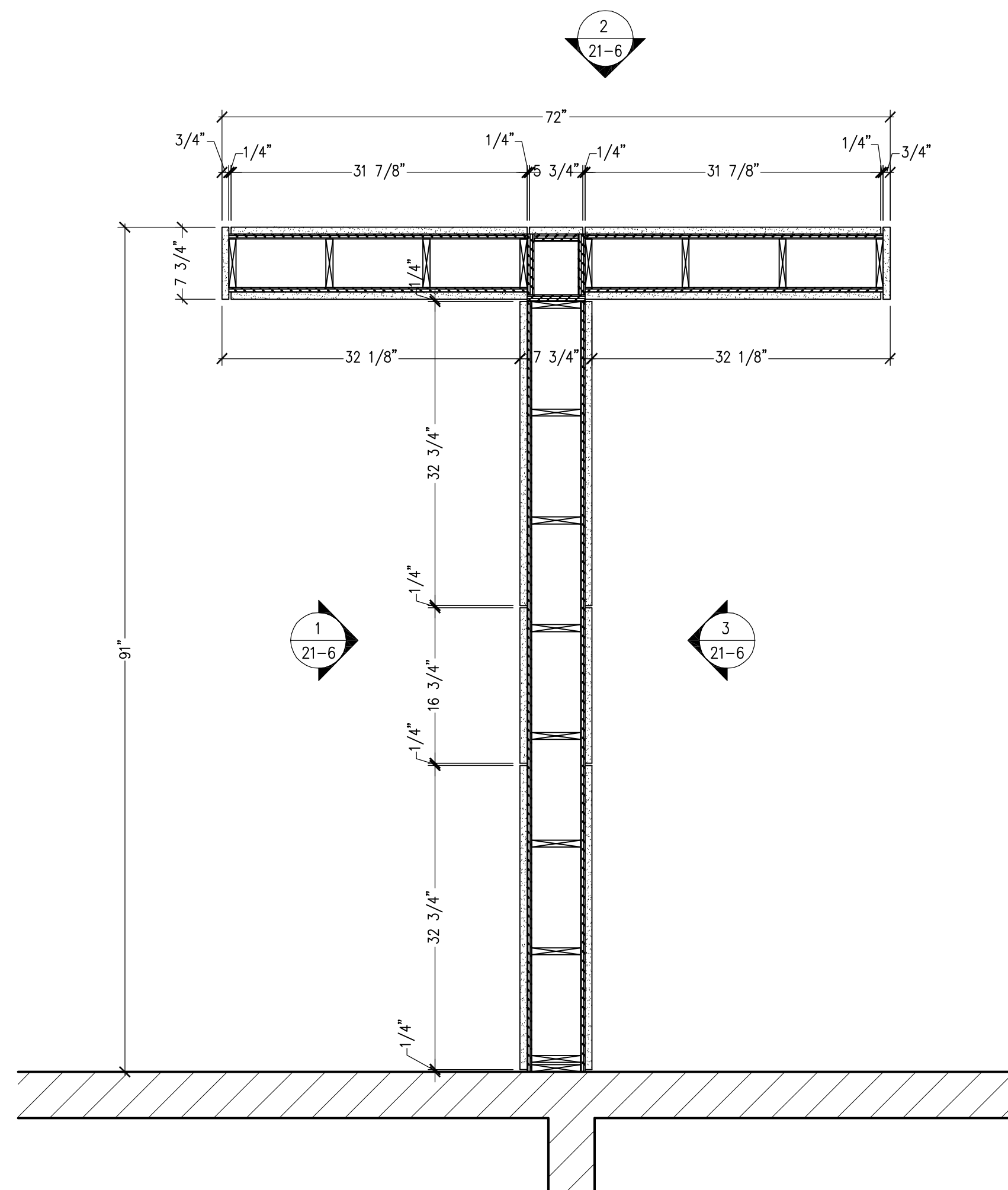
2 ELEVATION OR WAITING 2D84  
21-6 SCALE: 1/2"-12" REF: 6/A-413



3 ELEVATION OR WAITING 2D84  
21-6 SCALE: 1/2"-12" REF: 19/A-413



4 HORIZONTAL SECTION  
21-6 SCALE: 1"-12" REF: NONE



5 HORIZONTAL SECTION  
21-6 SCALE: 1"-12" REF: NONE

PROJECT NO.

CUTBILL NO.

PSI WORK ORDER NO.

SCALE  
AS SHOWN

DRAWN BY  
TM DATE  
06/20/06

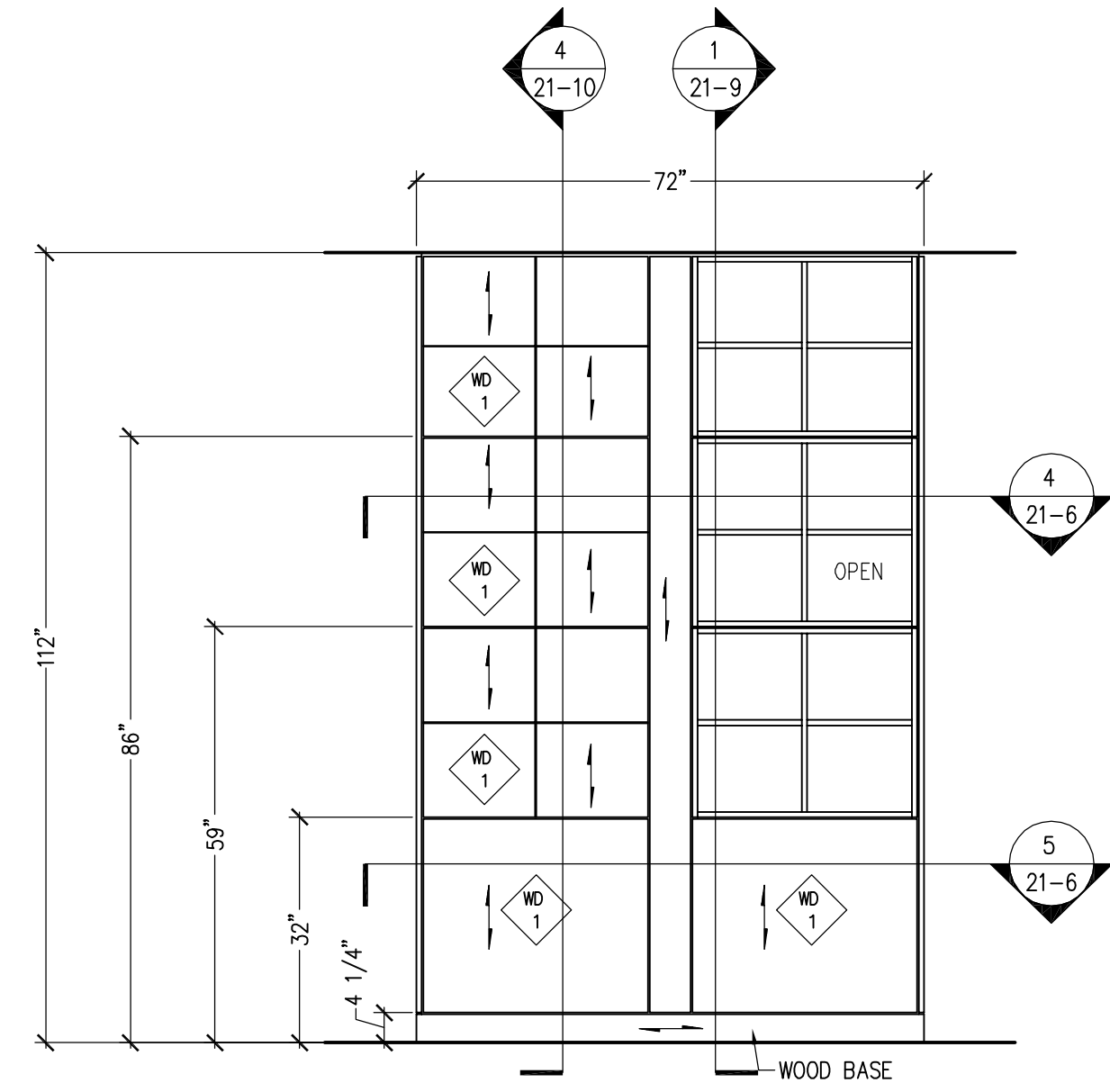
DELIVERY DATE

REVISIONS

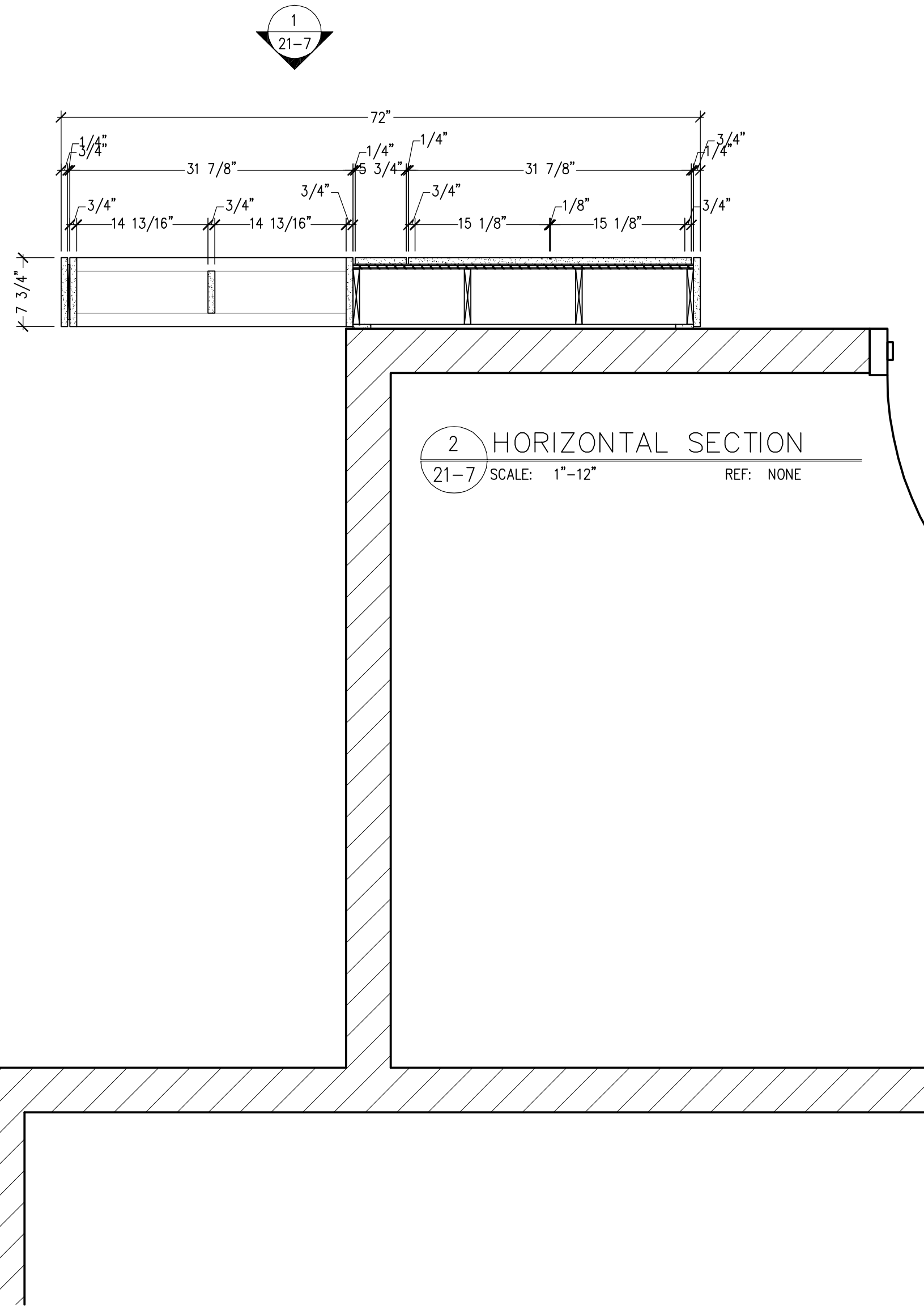
NO.	DATE	DESCRIPTION
1		
2		
3		
4		
5		
6		
7		
8		
9		
10		
11		
12		

SHEET NO.

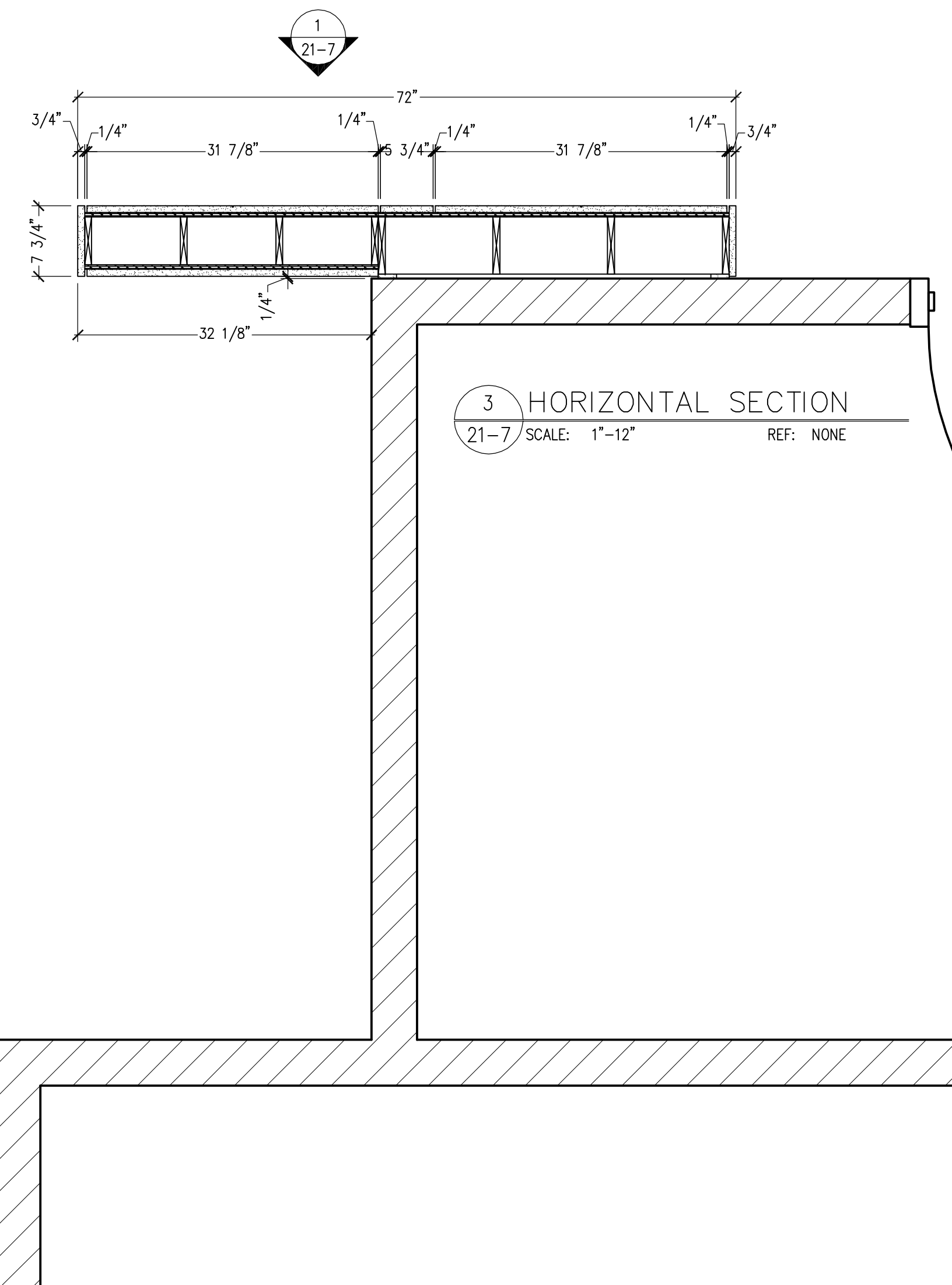
21-6  
PRELIMINARY



1 ELEVATION  
21-7 SCALE: 1/2"=12" OR WAITING 2084 REF: 1/A-413



2 HORIZONTAL SECTION  
21-7 SCALE: 1"=12" REF: NONE



3 HORIZONTAL SECTION  
21-7 SCALE: 1"=12" REF: NONE

PROJECT NO.

CUTBILL NO.

PSI WORK ORDER NO.

SCALE  
AS SHOWN

DRAWN BY DATE  
TM 06/20/06

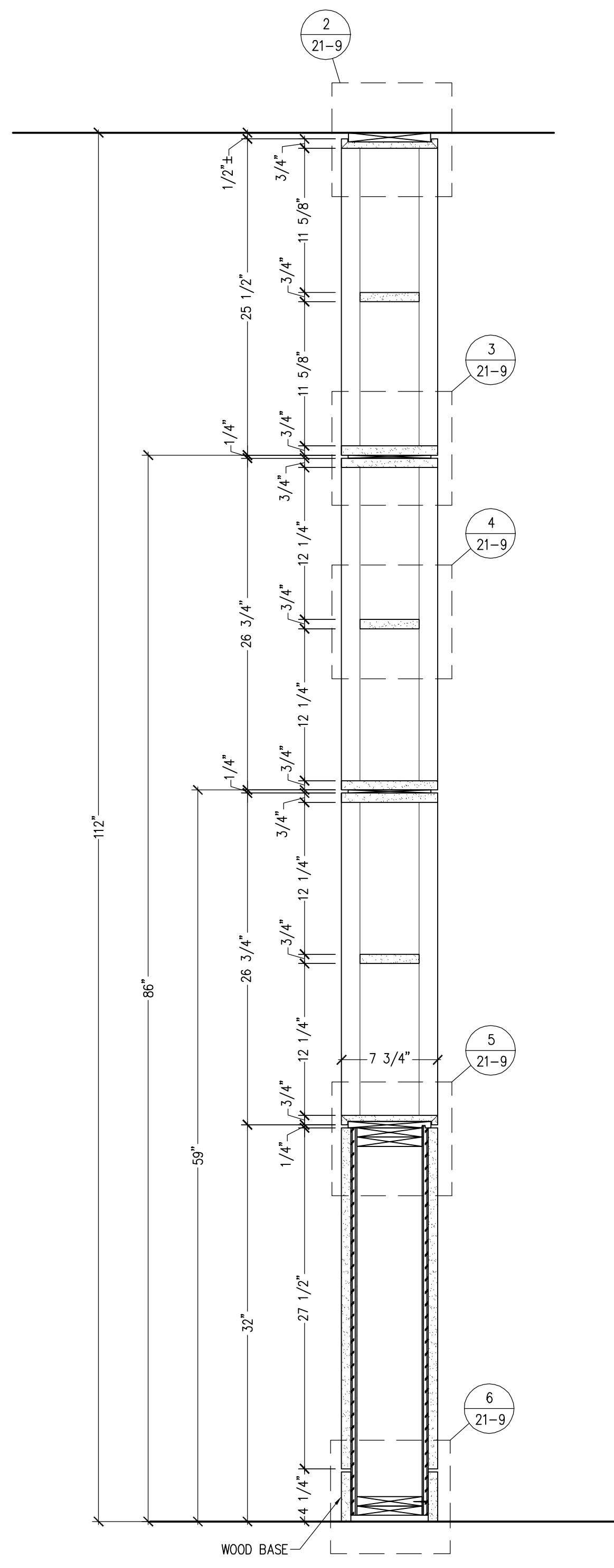
DELIVERY DATE

REVISIONS		
NO.	DATE	DESCRIPTION
1		
2		
3		
4		
5		
6		
7		
8		
9		
10		
11		
12		

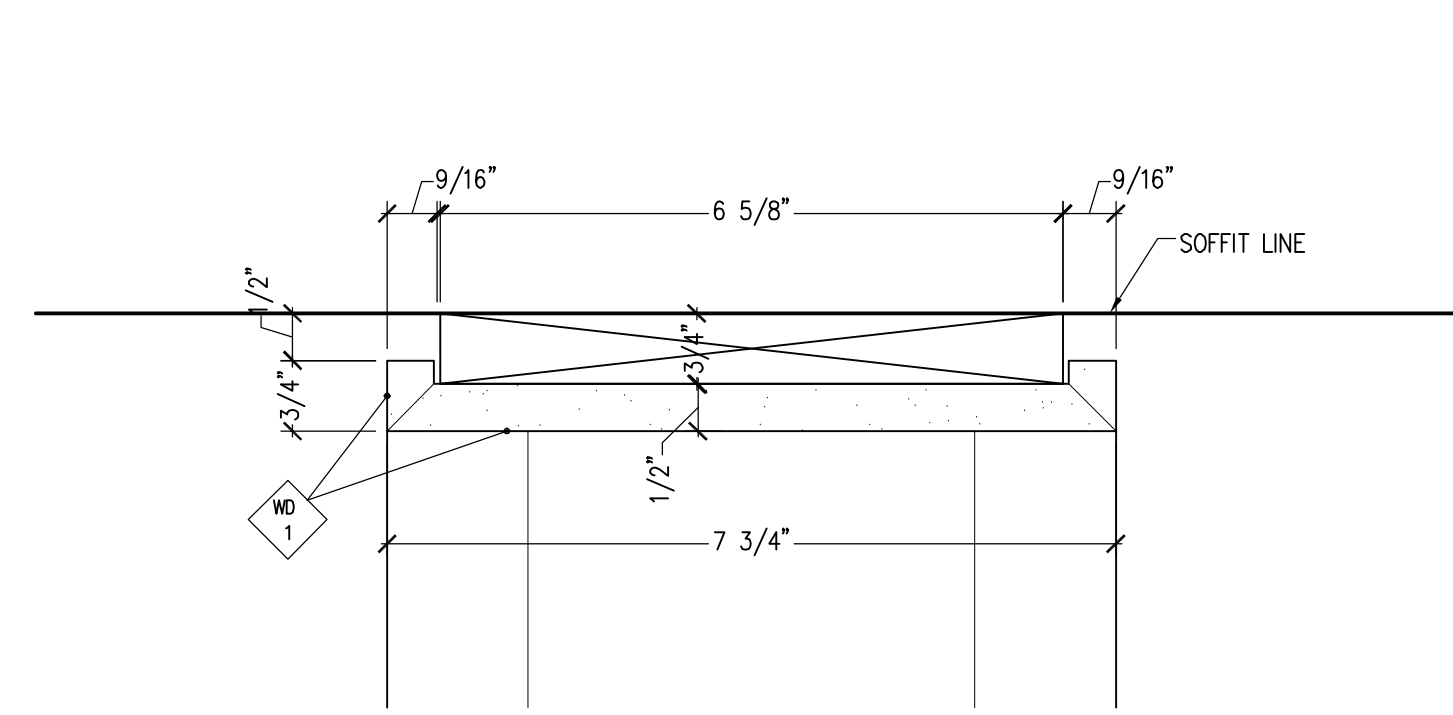
SHEET NO.

21-7  
PRELIMINARY

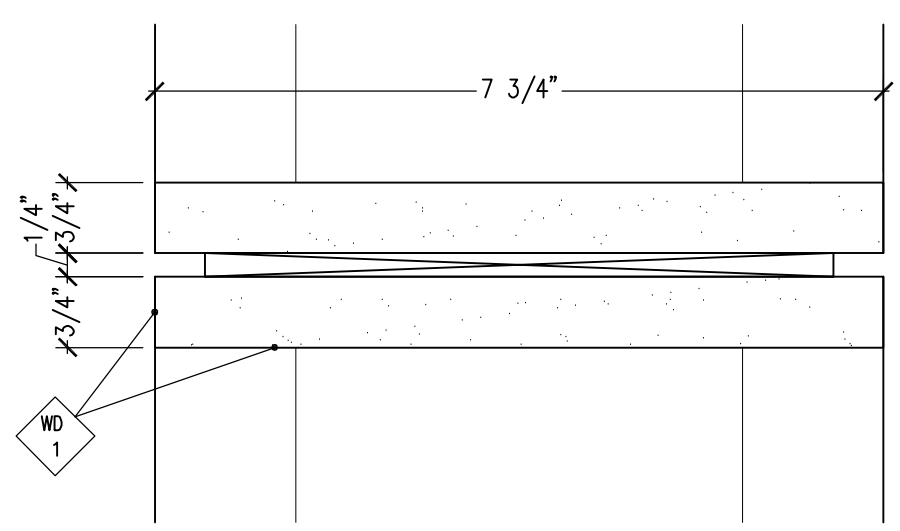




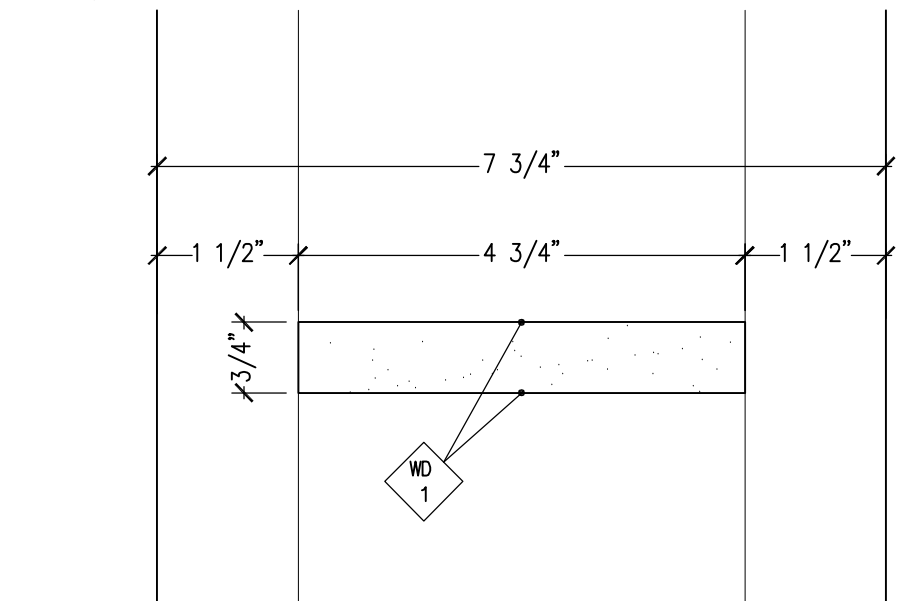
1 VERTICAL SECTION  
21-9 SCALE: 1 1/2"=12" REF: 1/A-532



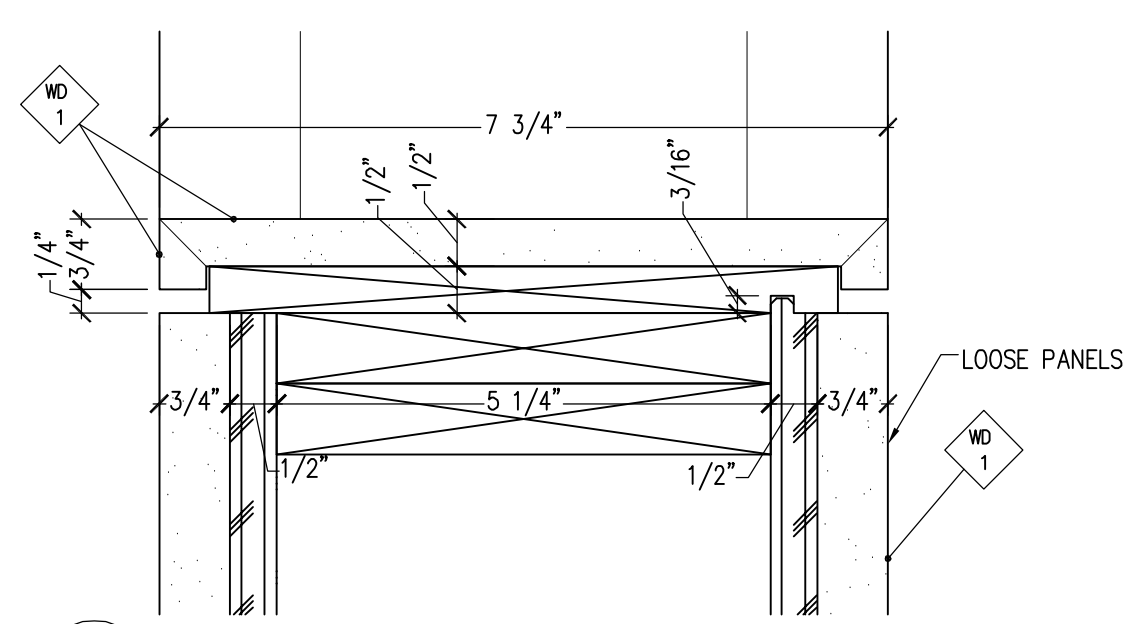
2 DETAIL  
21-9 SCALE: 6"=12" REF: 15C/A-531



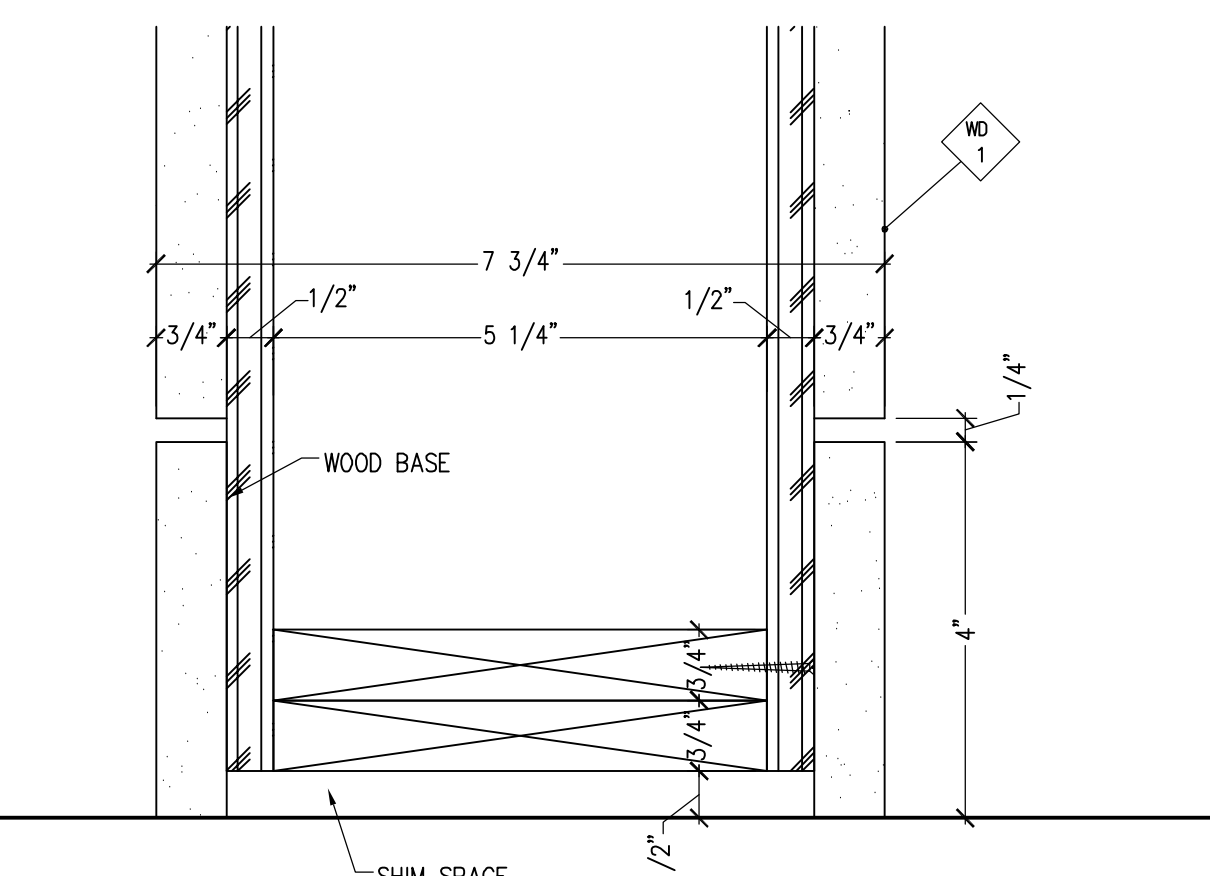
3 DETAIL  
21-9 SCALE: 6"=12" REF: NONE



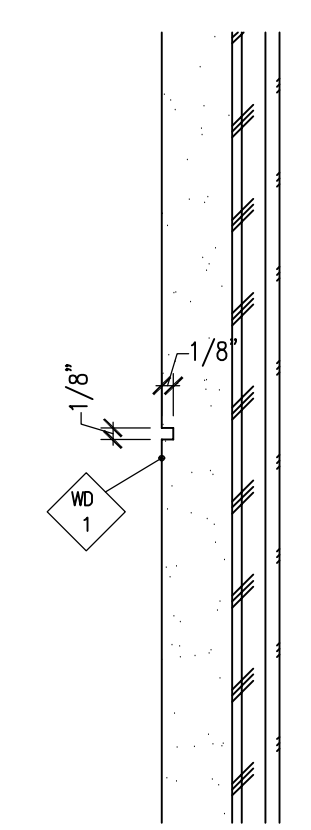
4 DETAIL  
21-9 SCALE: 6"=12" REF: 15B/A-531



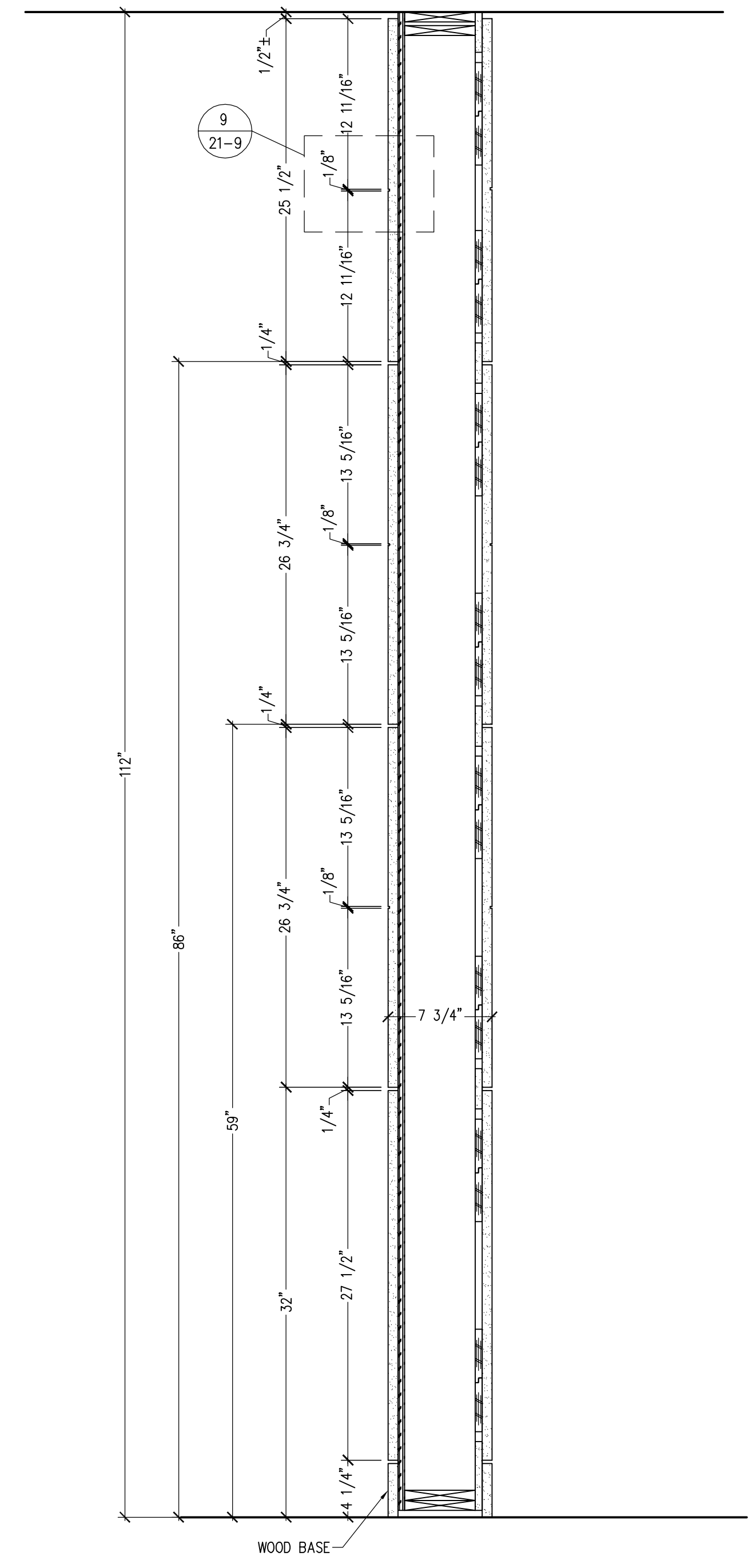
5 DETAIL  
21-9 SCALE: 6"=12" REF: 15A/A-531



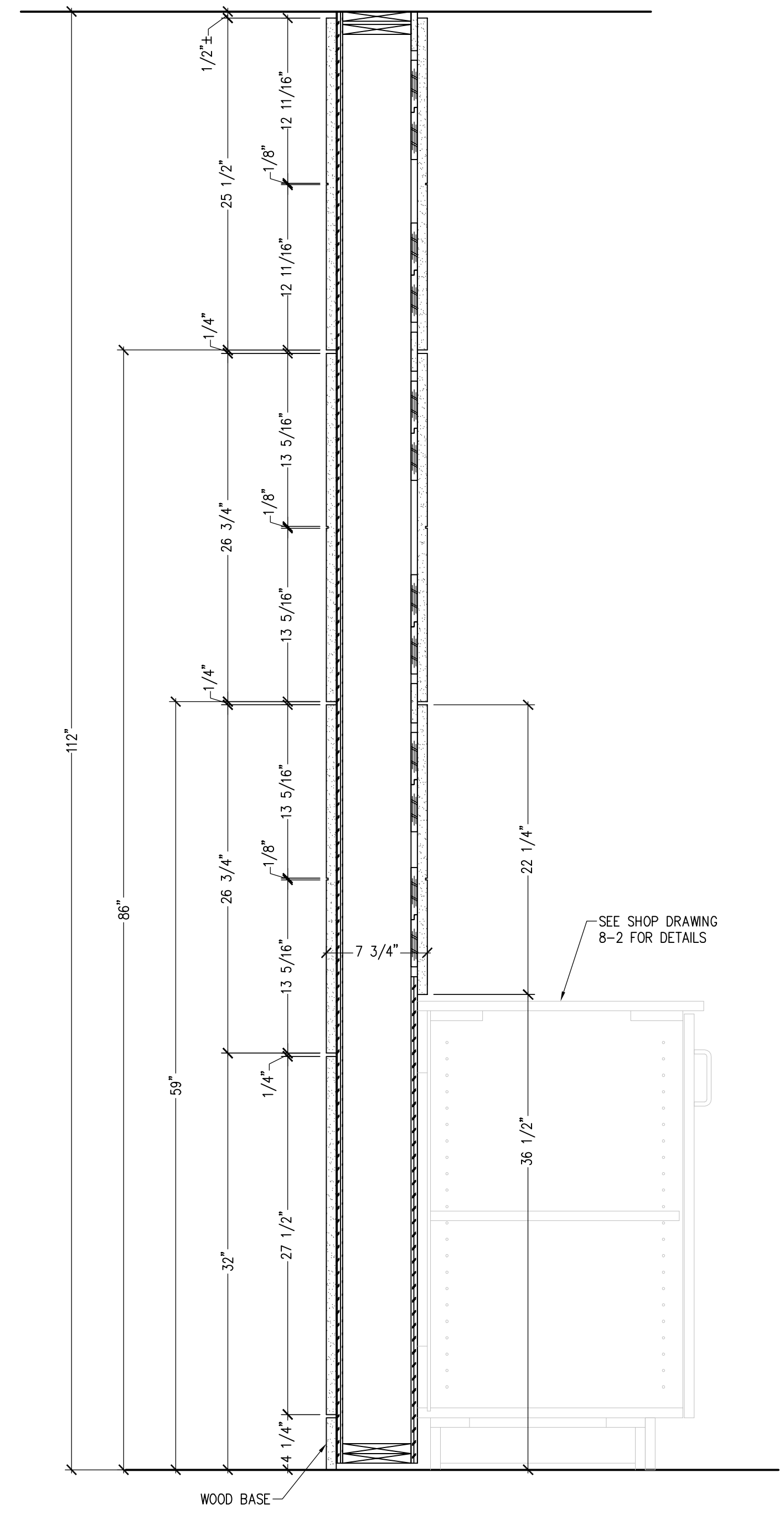
6 DETAIL  
21-9 SCALE: 6"=12" REF: 15C/A-531



9 DETAIL  
21-9 SCALE: 6"=12" REF: NONE



7 VERTICAL SECTION  
21-9 SCALE: 1 1/2"=12" REF: 1/A-532



8 VERTICAL SECTION  
21-9 SCALE: 1 1/2"=12" REF: NONE

PROJECT NO.

CUTBILL NO.

PSI WORK ORDER NO.

SCALE AS SHOWN

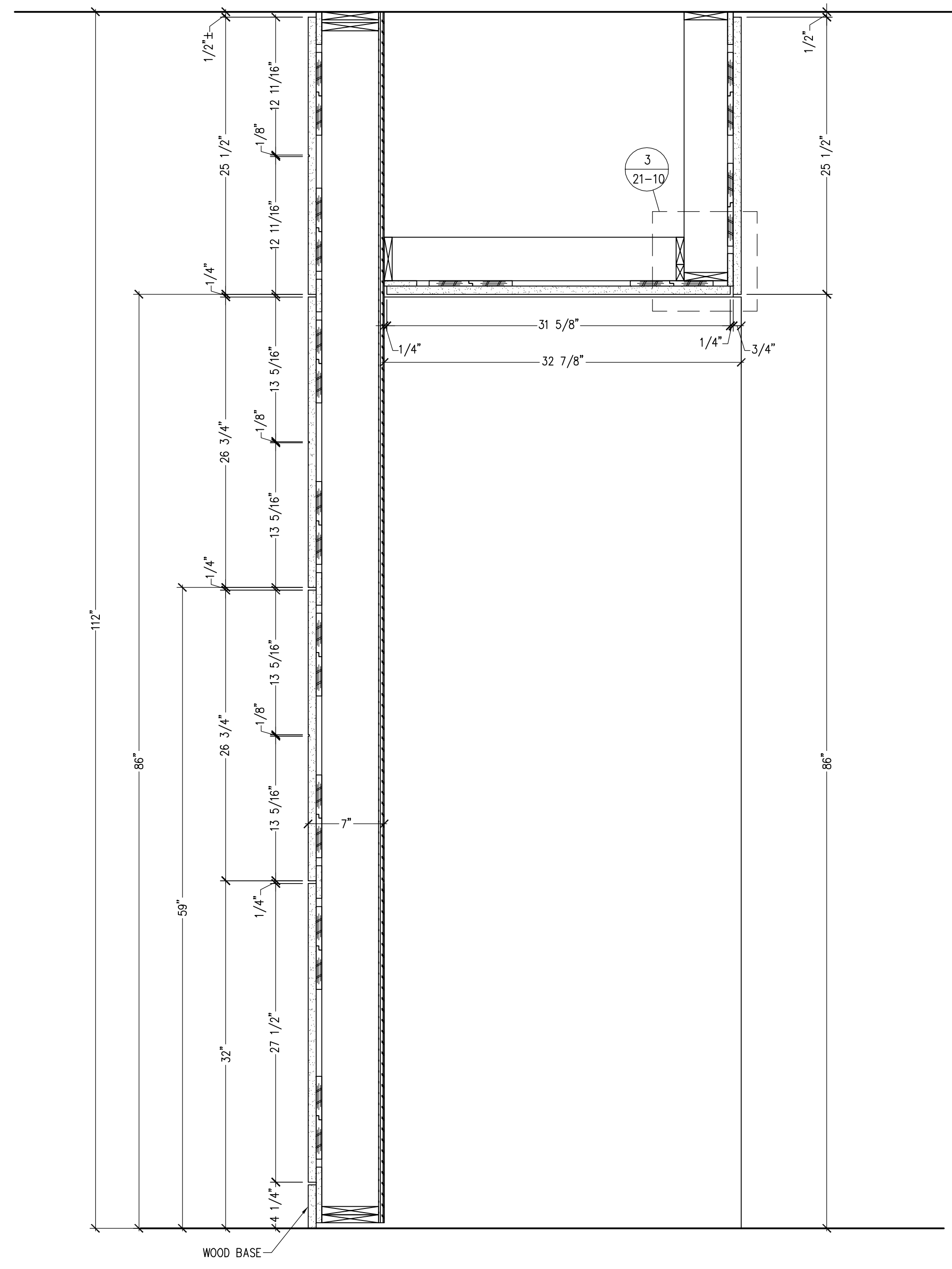
DRAWN BY TM DATE 06/20/06

DELIVERY DATE

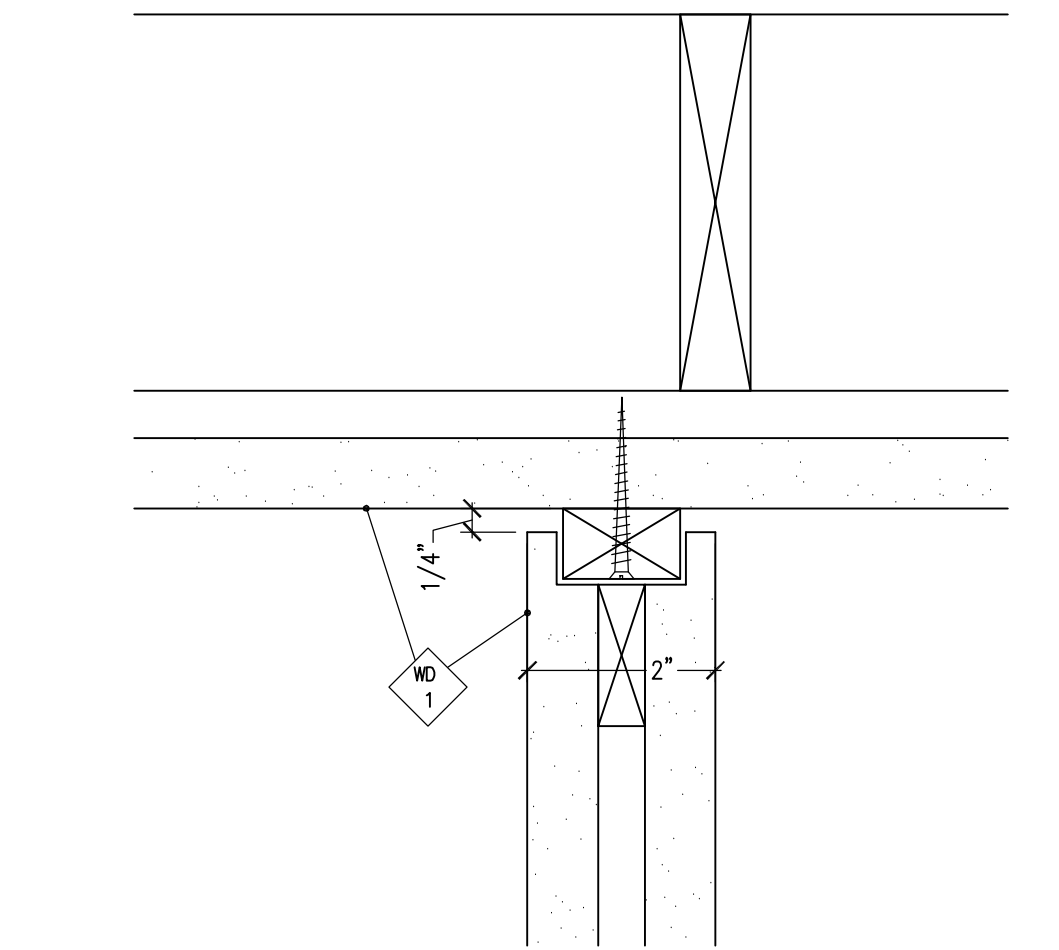
REVISIONS		
NO.	DATE	DESCRIPTION
1		
2		
3		
4		
5		
6		
7		
8		
9		
10		
11		
12		

SHEET NO.

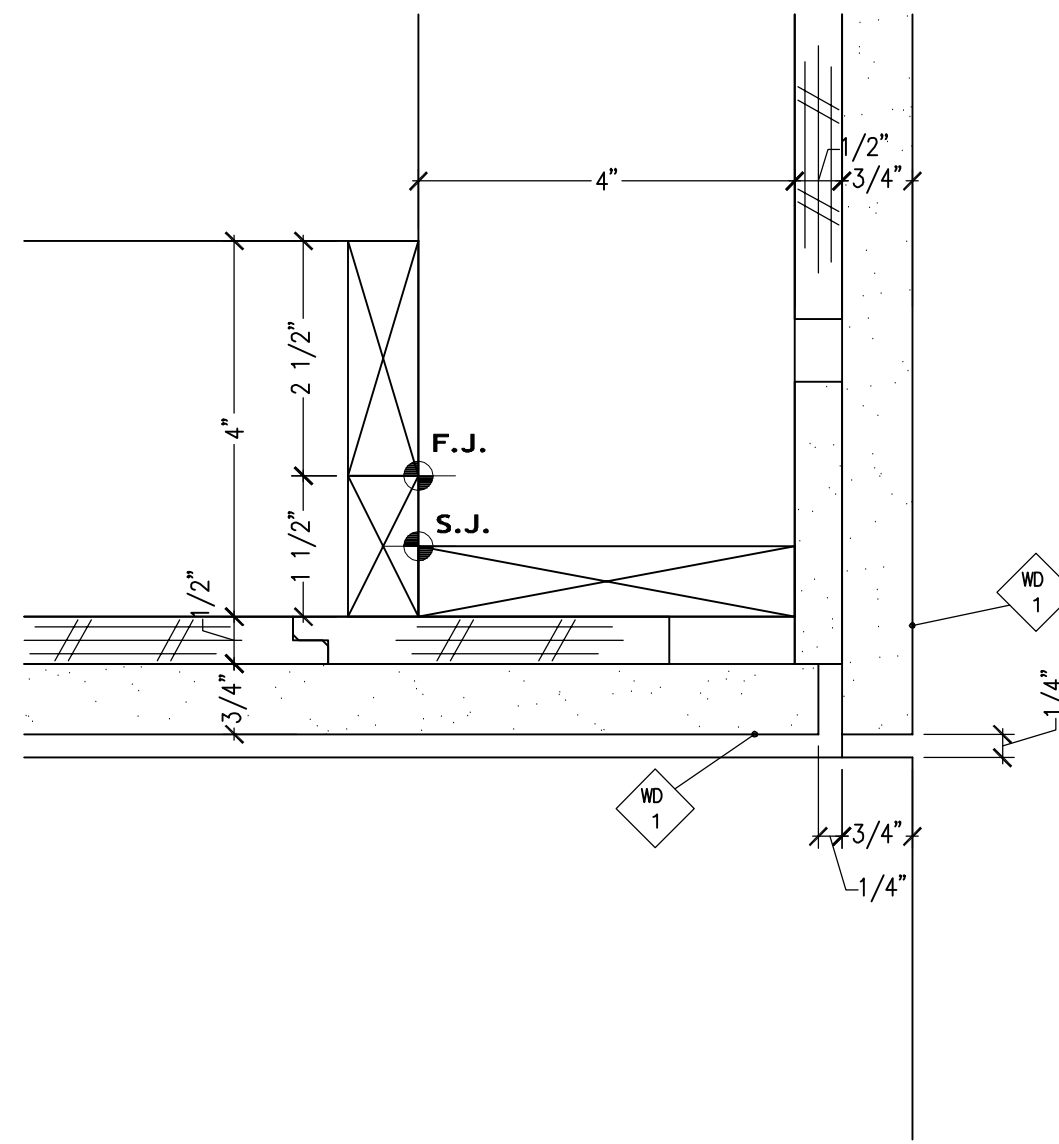
21-9  
PRELIMINARY



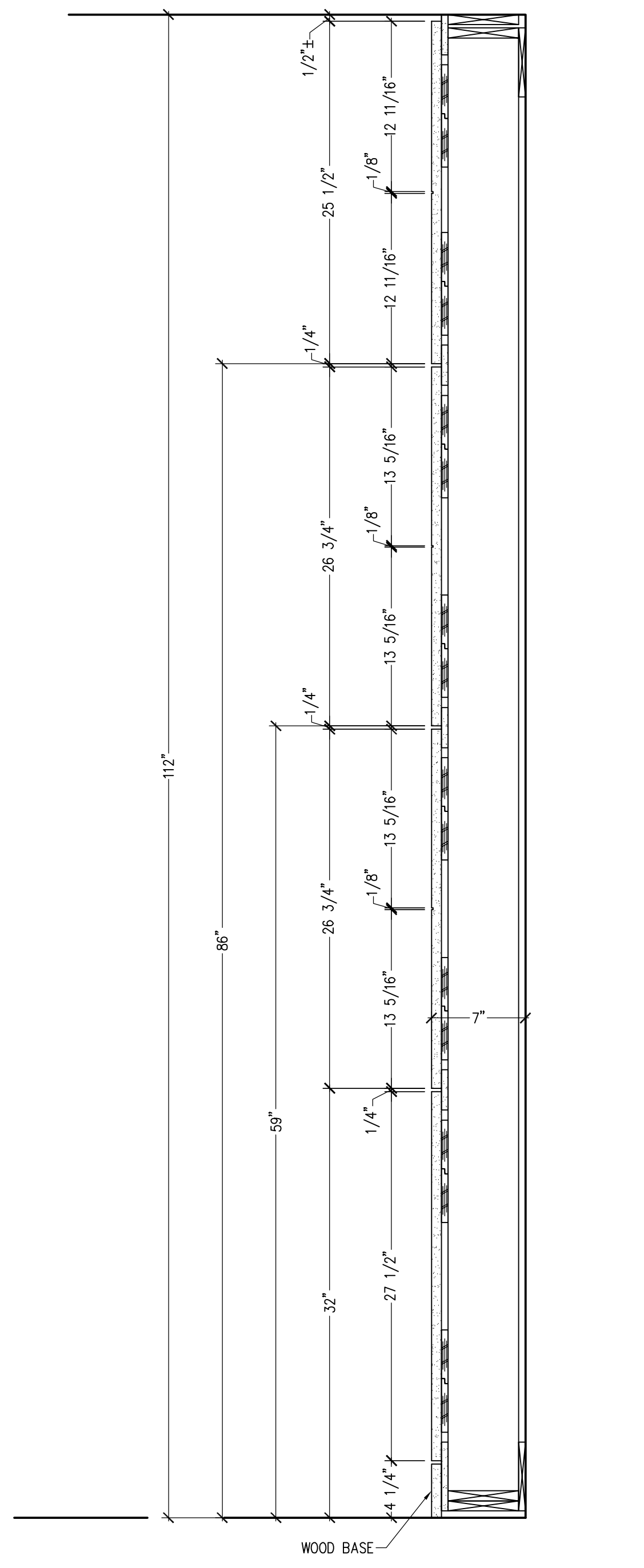
1 VERTICAL SECTION  
21-10 SCALE: 1 1/2"-12" REF: NONE



2 DETAIL  
21-10 SCALE: 6"-12" REF: NONE



3 DETAIL  
21-10 SCALE: 6"-12" REF: NONE



4 VERTICAL SECTION  
21-10 SCALE: 1 1/2"-12" REF: NONE

PROJECT NO.  
CUTBILL NO.  
PSI WORK ORDER NO.  
SCALE AS SHOWN  
DRAWN BY: TM DATE: 06/20/06  
DELIVERY DATE:

REVISIONS		
NO.	DATE	DESCRIPTION
1		
2		
3		
4		
5		
6		
7		
8		
9		
10		
11		
12		

SHEET NO.  
21-10  
PRELIMINARY