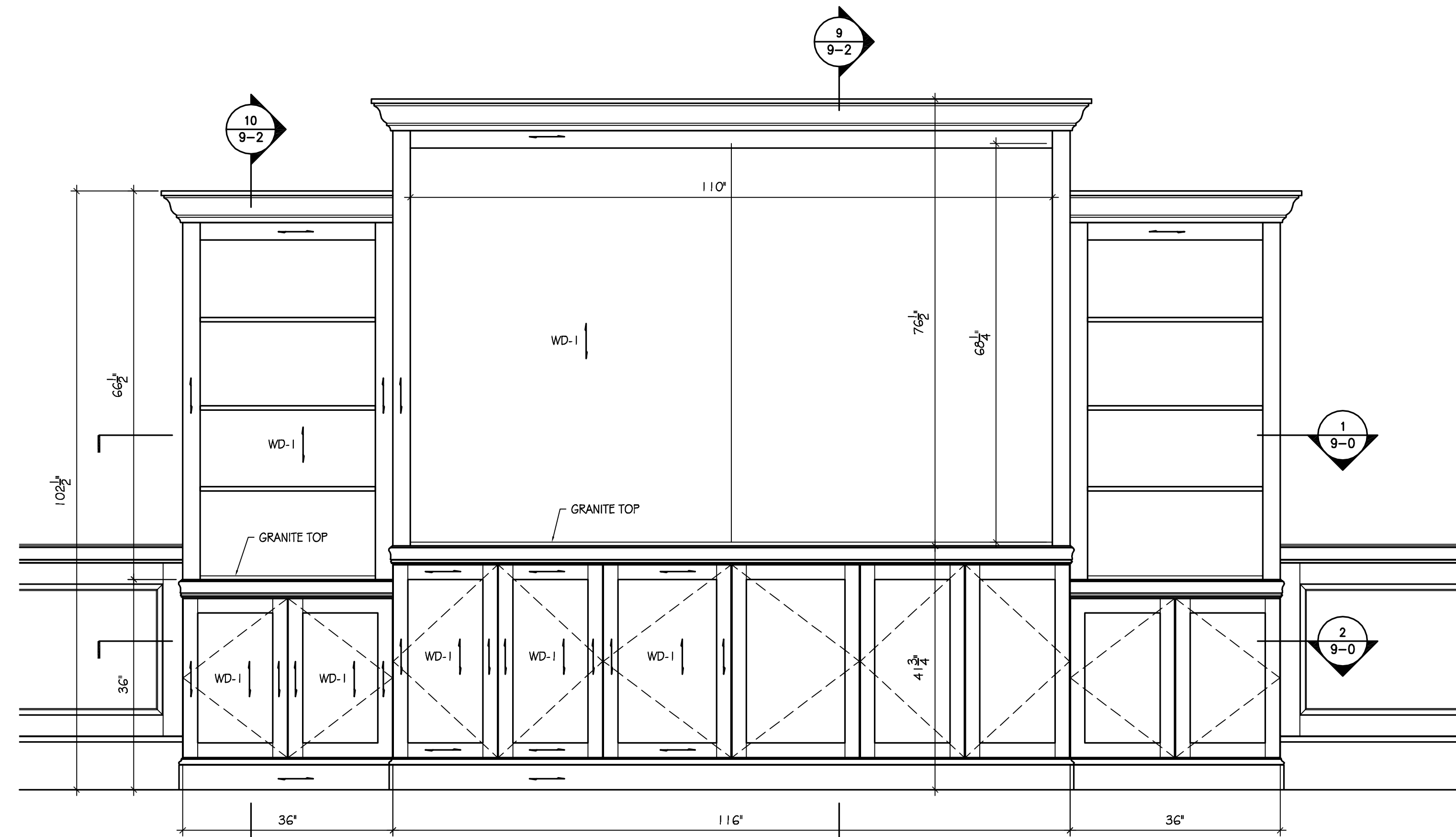


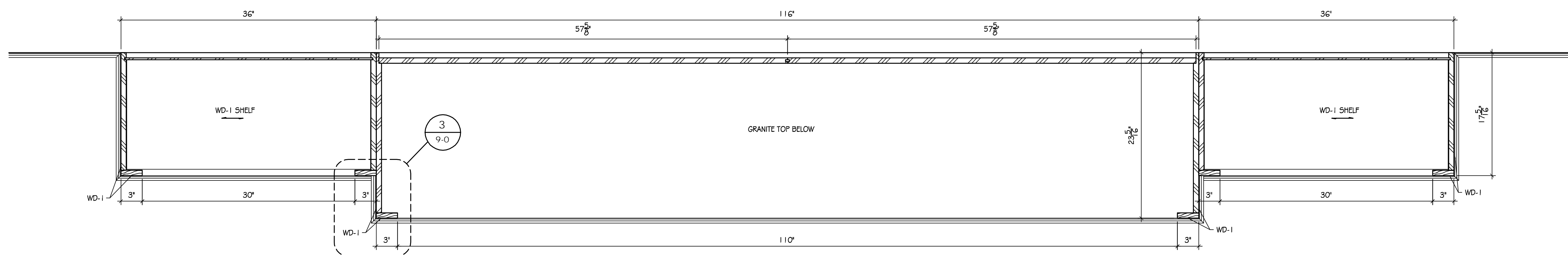
3 DETAIL
SCALE: 6" = 1'-0"
ARCH. REF: NONE

4 DETAIL
SCALE: 6" = 1'-0"
ARCH. REF: NONE

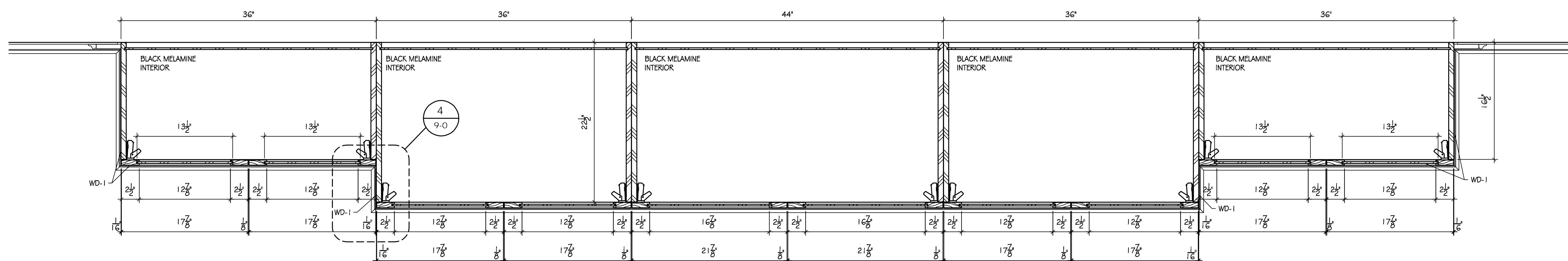


A ELEVATION
SCALE: 3/4" = 1'-0"
ARCH. REF: 4/A311

ARCHITECT:
GENERAL CONTRACTOR:
DESIGNER:
NOTES:
WD-1: SOLID OR VENEER
PLAIN SLICED SAPELE,
FINISHED TO MATCH APPROVED SAMPLE



1 HORIZONTAL SECTION
SCALE: 1-1/2" = 1'-0"
ARCH. REF: NONE



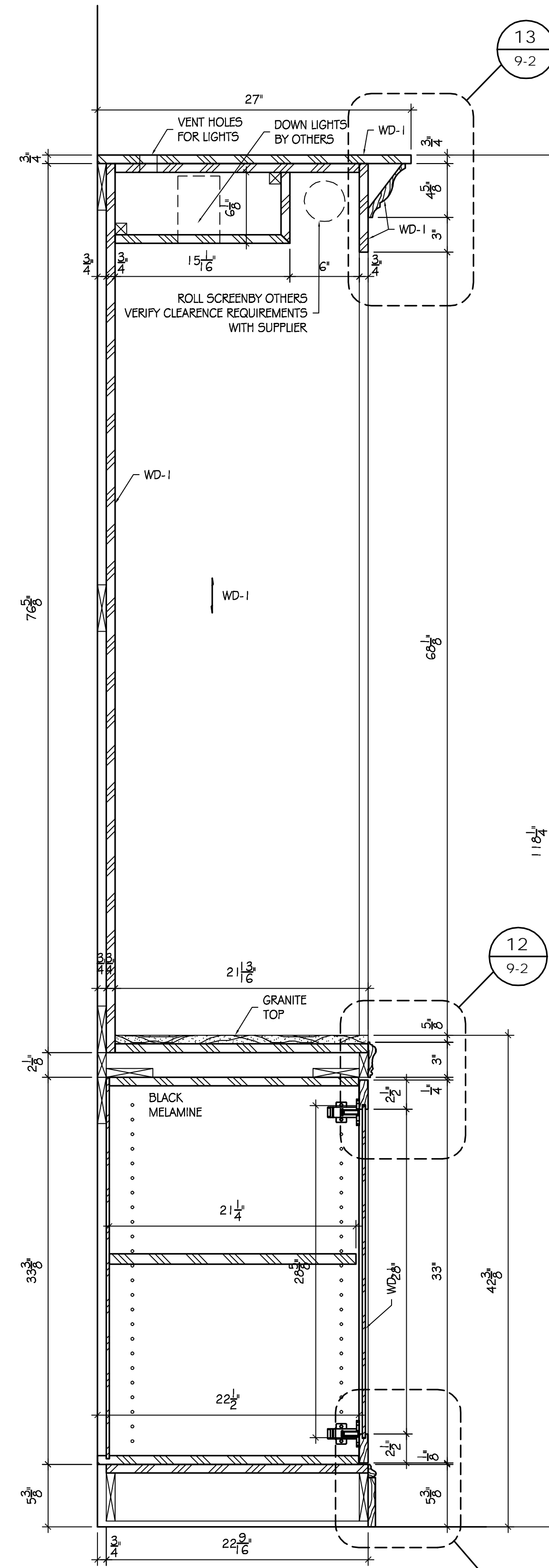
2 HORIZONTAL SECTION
SCALE: 1-1/2" = 1'-0"
ARCH. REF: NONE

REVISIONS:

SHEET TITLE:
**EAST WALL A.V. UNIT
ELEVATIONS**

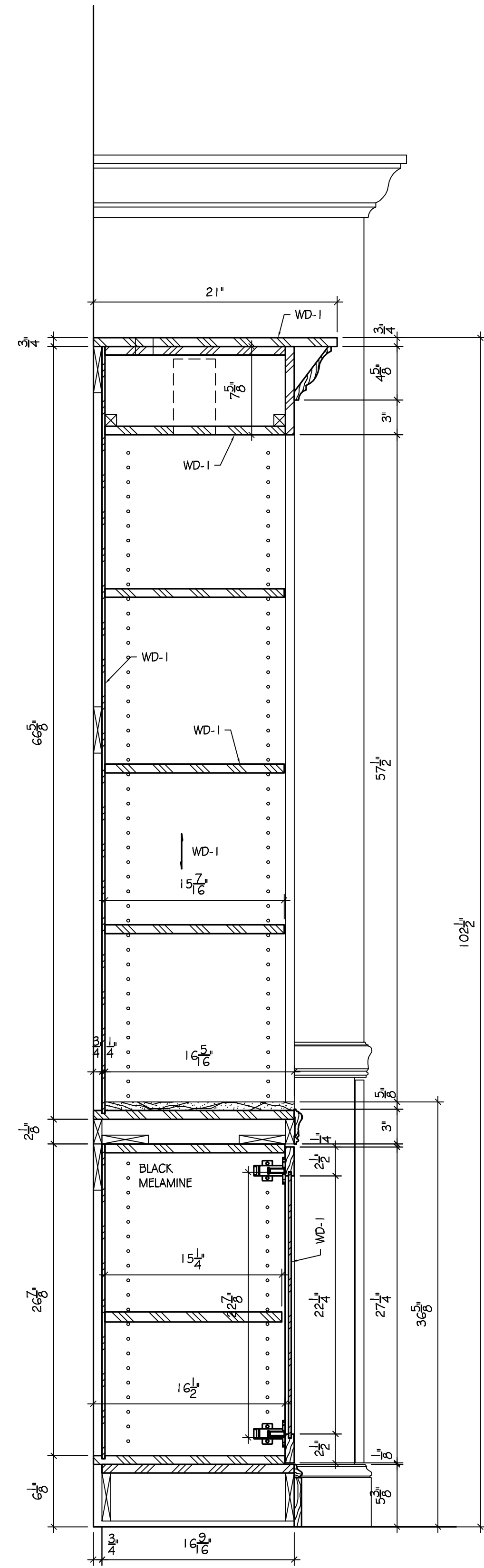
DRAWN BY: TM | DATE: 04/18/08
JOB: | SHEET NO.

9-0



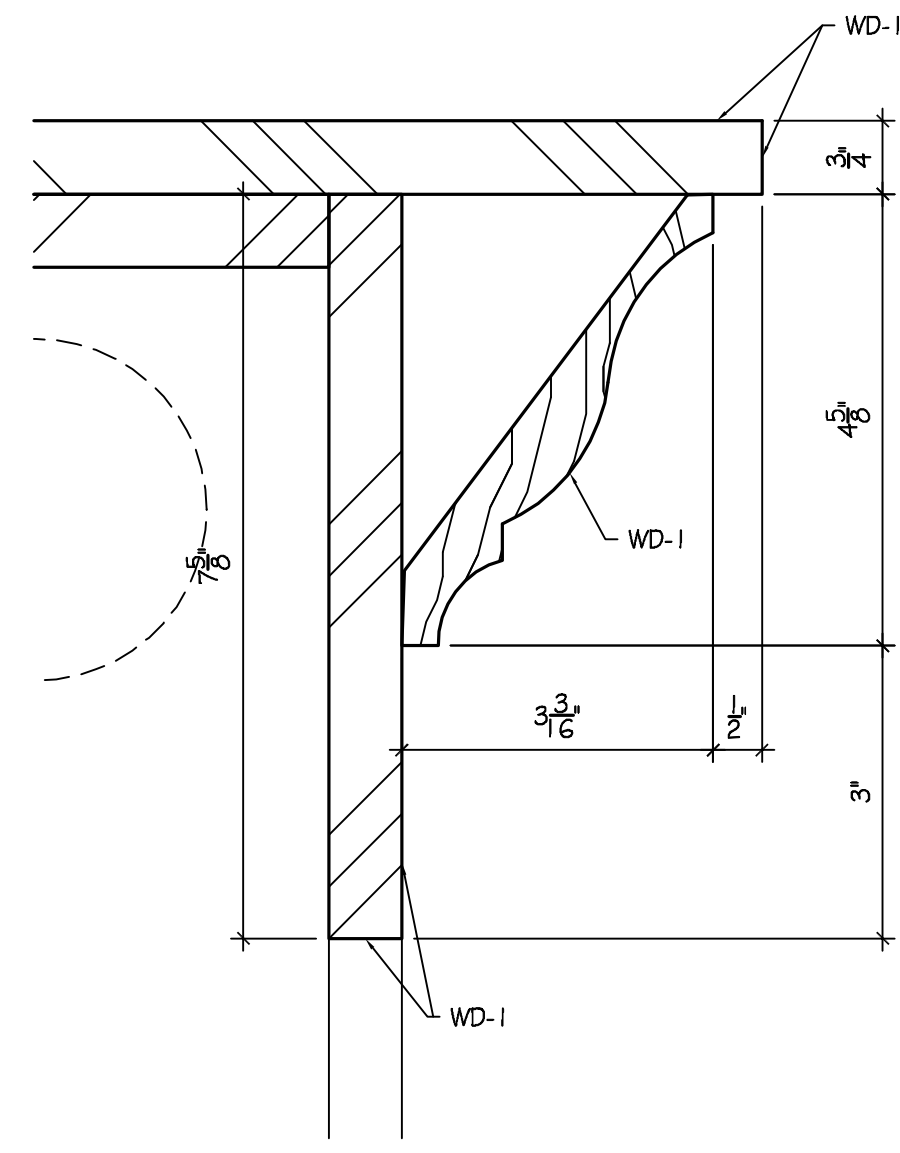
9 VERTICAL SECTION
 SCALE: 1-1/2" = 1'-0"
 ARCH. REF: NONE

11
 9-2

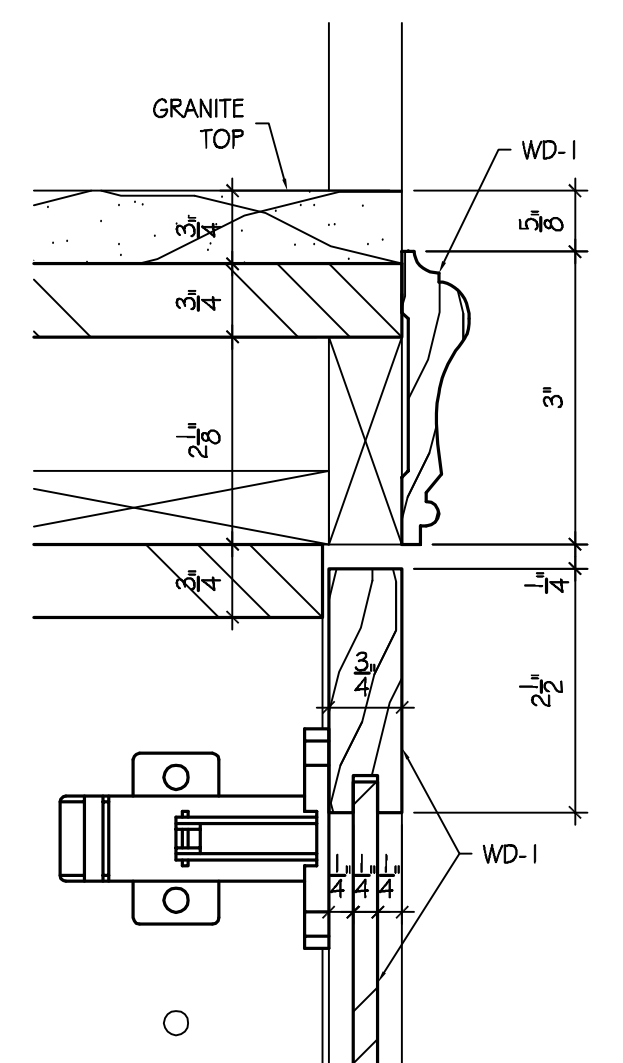


10 VERTICAL SECTION
 SCALE: 1-1/2" = 1'-0"
 ARCH. REF: NONE

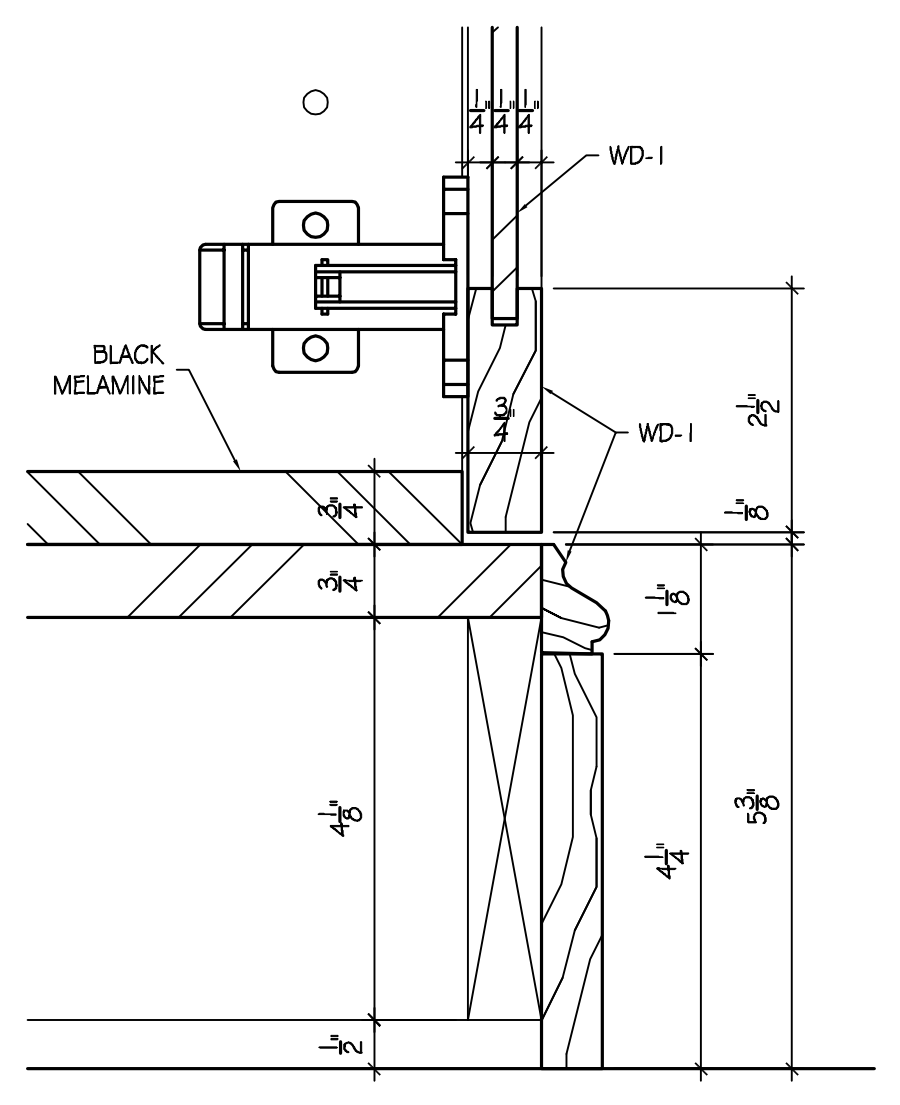
10
 9-2



13 DETAIL
 SCALE: 6" = 1'-0"
 ARCH. REF: NONE



12 DETAIL
 SCALE: 6" = 1'-0"
 ARCH. REF: NONE



11 DETAIL
 SCALE: 6" = 1'-0"
 ARCH. REF: NONE

11
 9-2

ARCHITECT:
 GENERAL CONTRACTOR:
 DESIGNER:
 NOTES:
 WD-1: SOLID OR VENEER
 PLAIN SLICED SAPELE,
 FINISHED TO MATCH APPROVED SAMPLE

REVISIONS:

SHEET TITLE:
**A.V. UNIT
 SECTIONS & DETAILS**

DRAWN BY: TM | DATE: 04/18/08
 JOB: | SHEET NO.

9-2