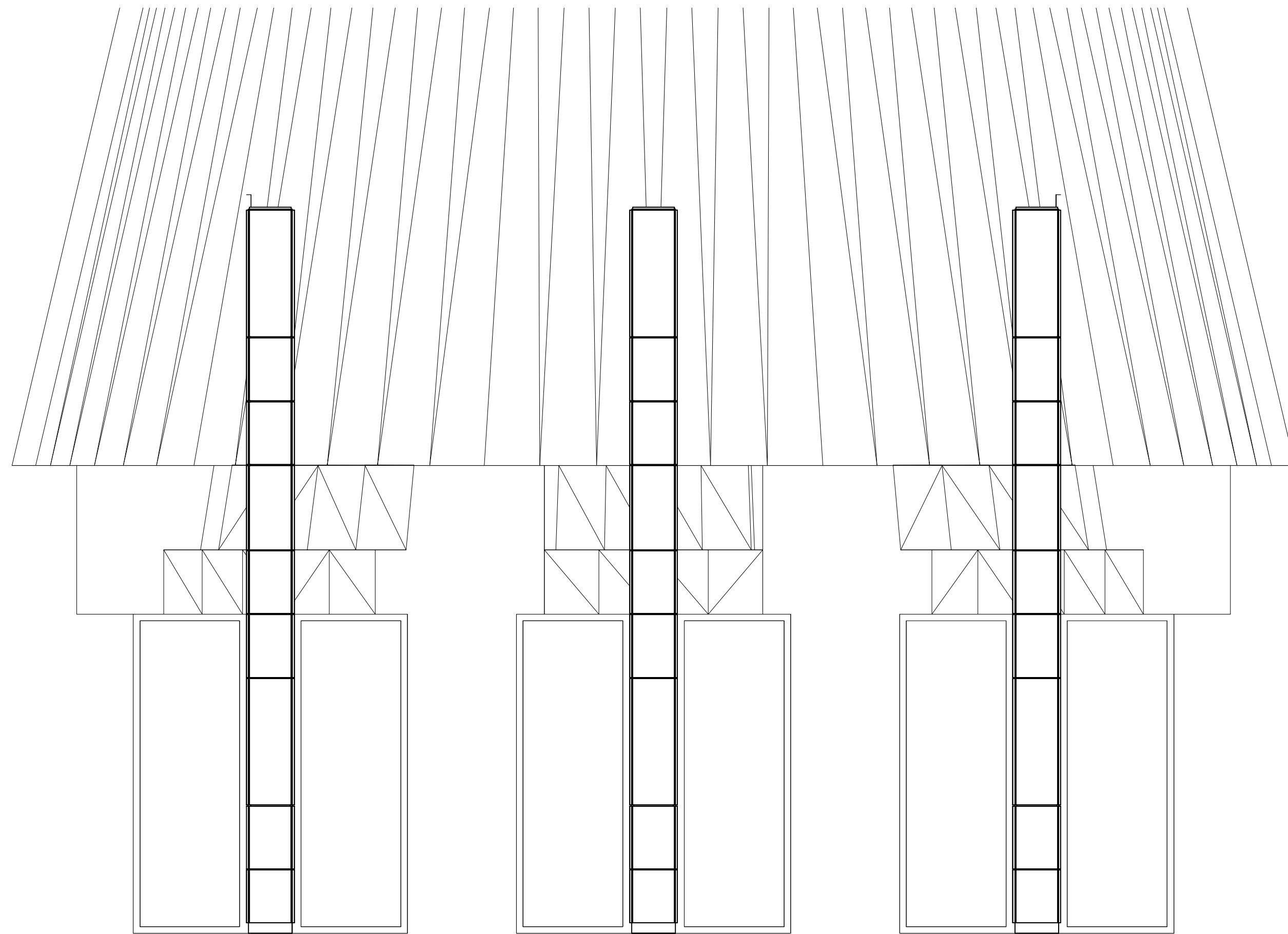
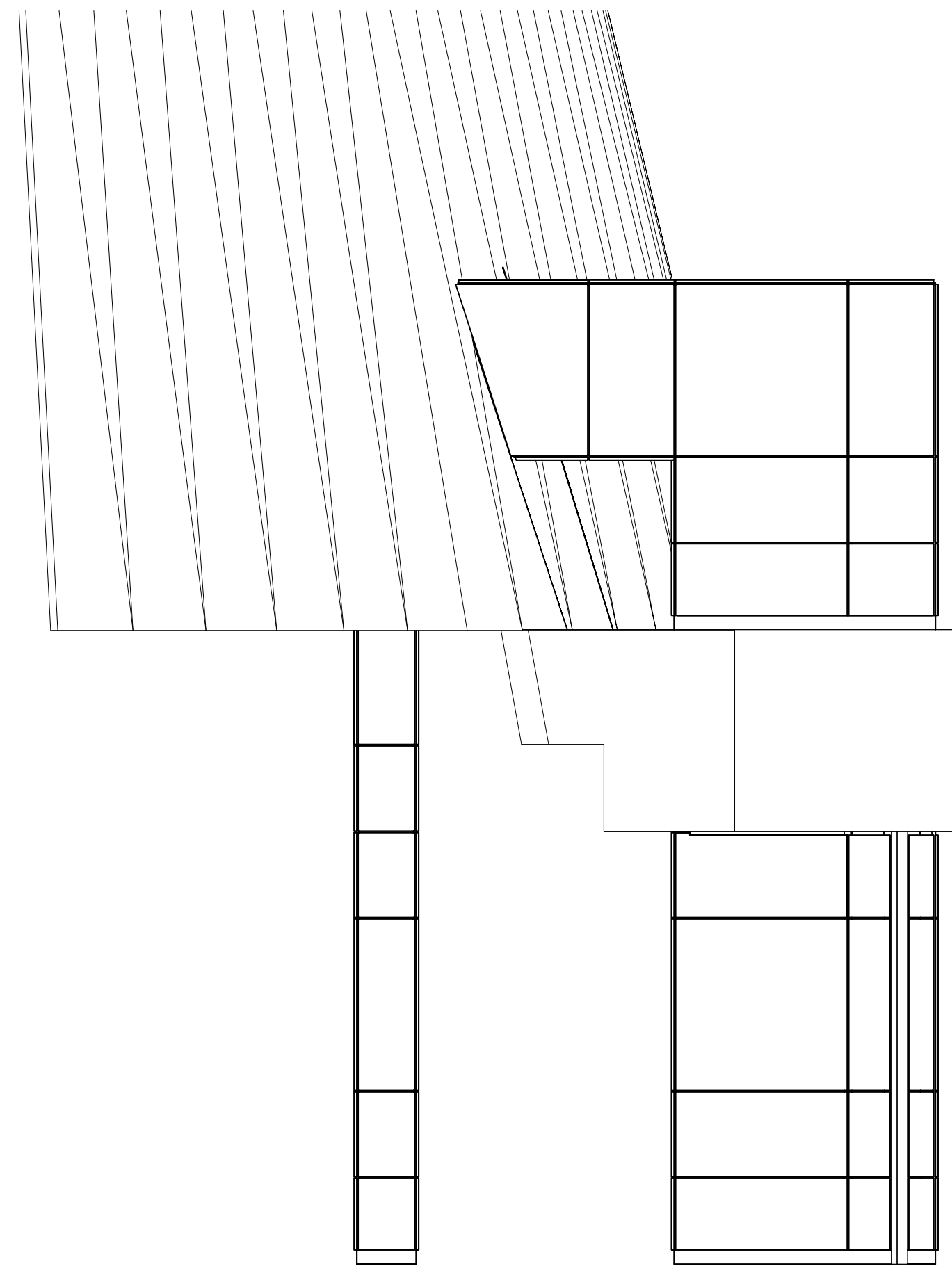


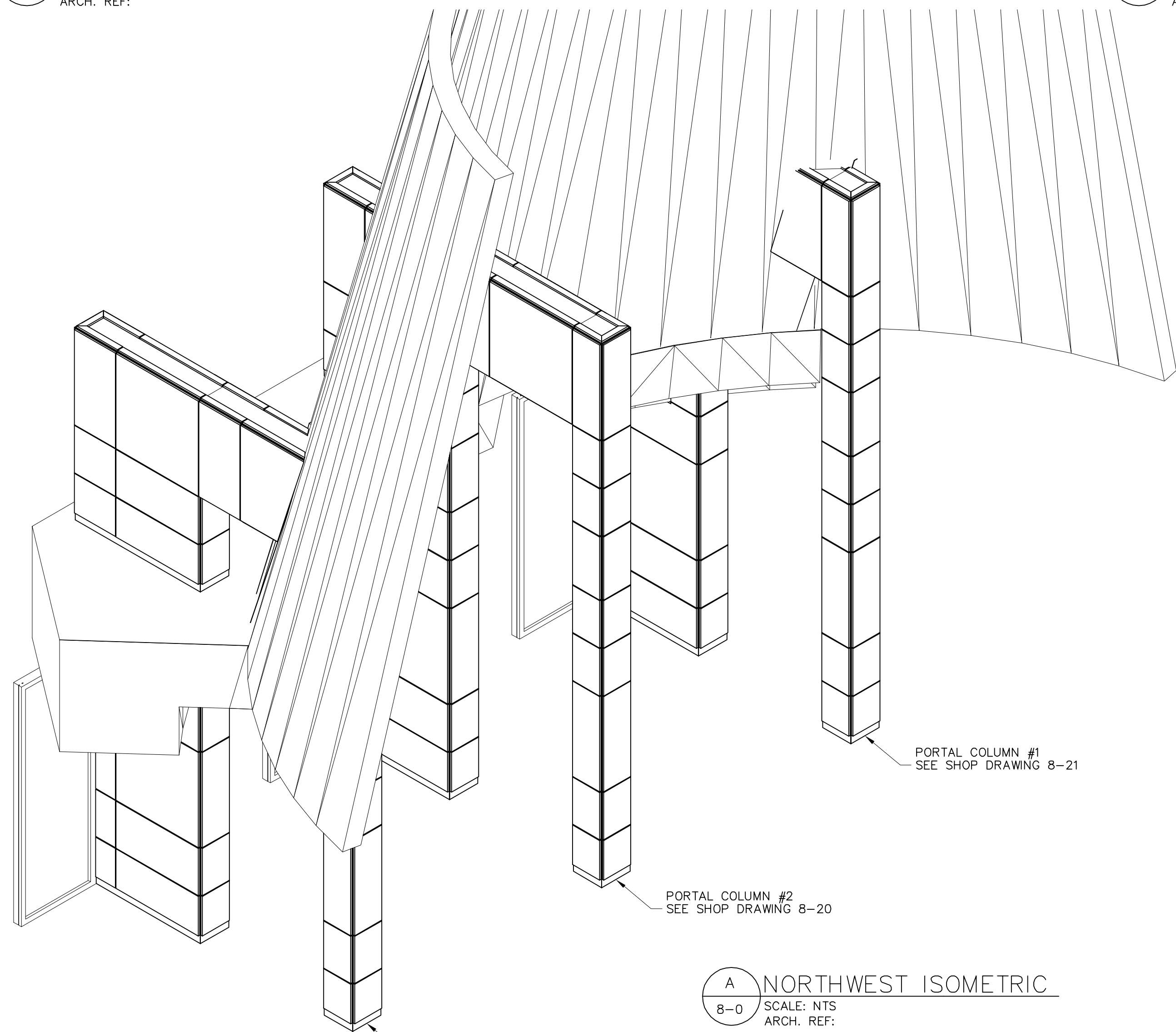
C NORTH ELEVATION  
8-0 SCALE: NTS  
ARCH. REF:



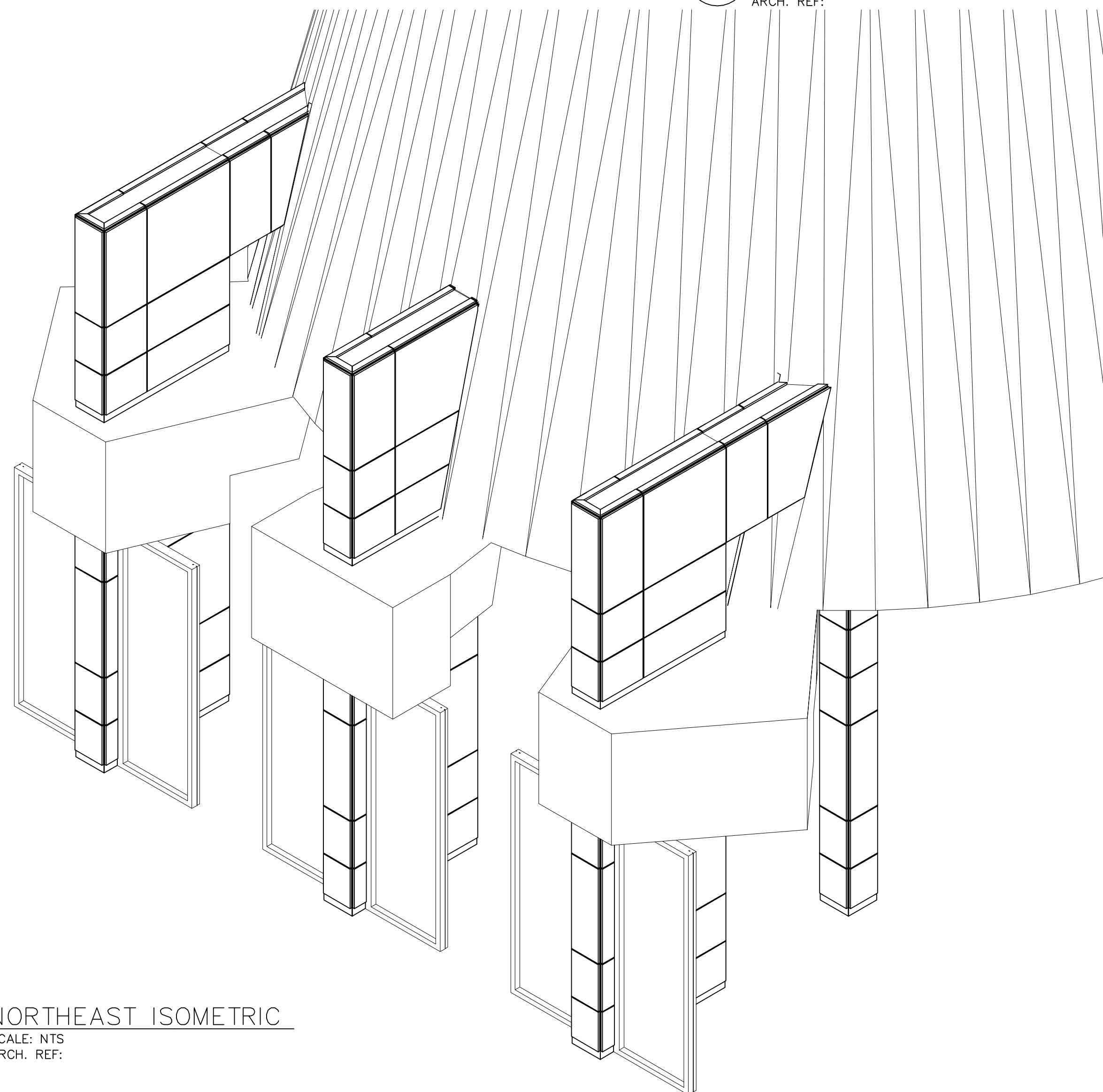
D WEST ELEVATION  
8-0 SCALE: NTS  
ARCH. REF:



E SOUTH ELEVATION  
8-0 SCALE: NTS  
ARCH. REF:



A NORTHWEST ISOMETRIC  
8-0 SCALE: NTS  
ARCH. REF:



B NORTHEAST ISOMETRIC  
8-0 SCALE: NTS  
ARCH. REF:

PORTAL COLUMN #1  
SEE SHOP DRAWING 8-21

PORTAL COLUMN #2  
SEE SHOP DRAWING 8-20

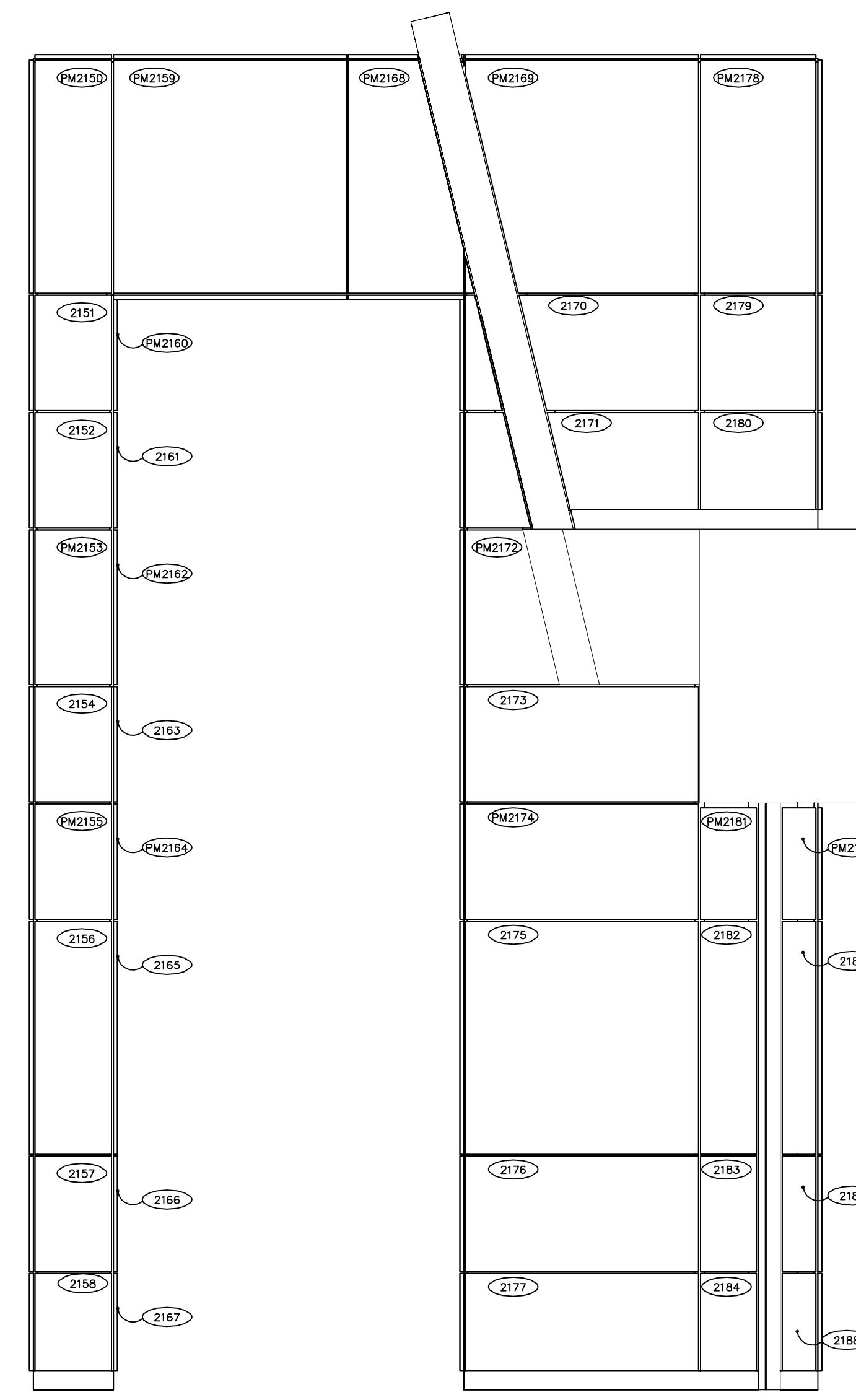
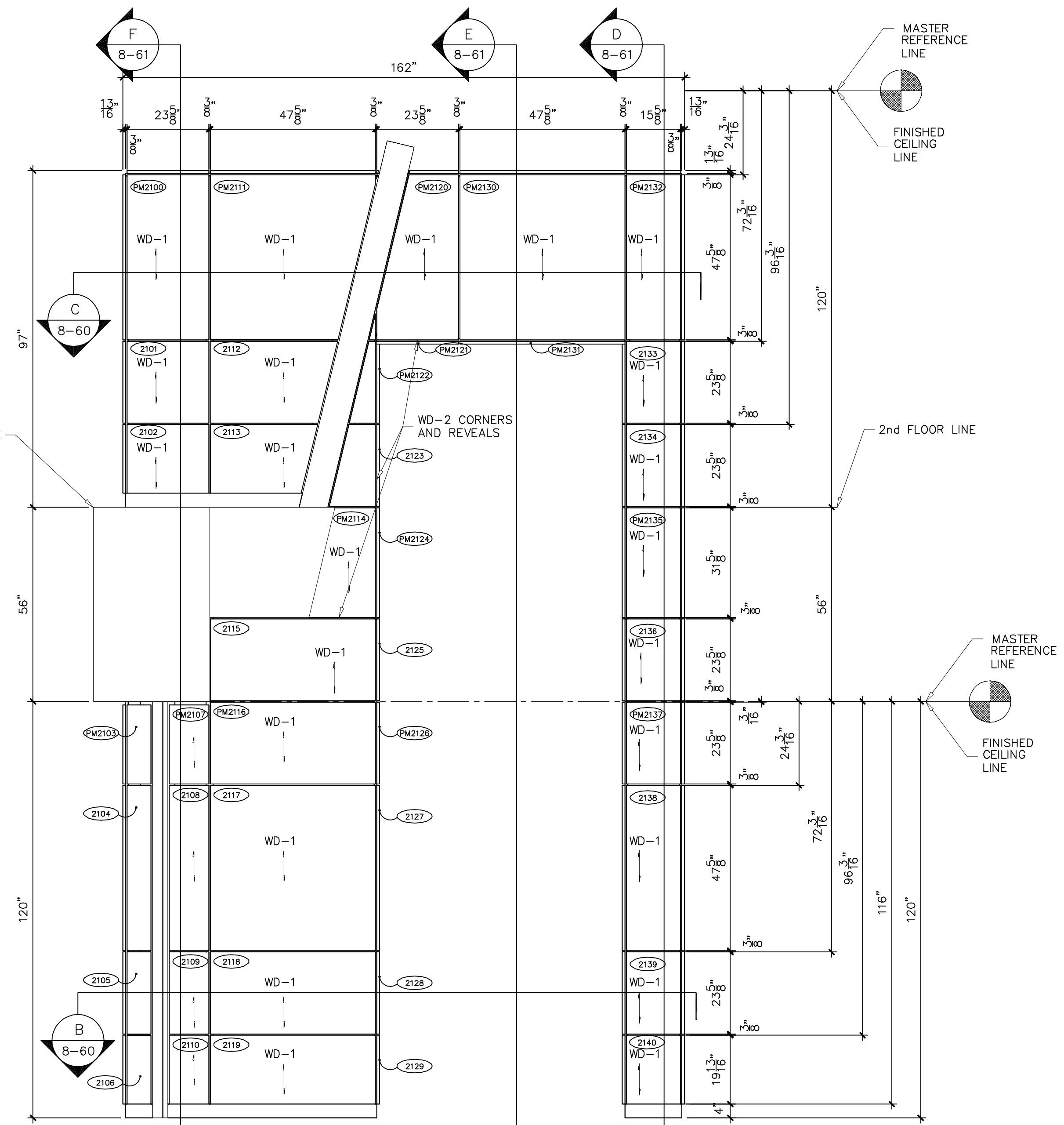
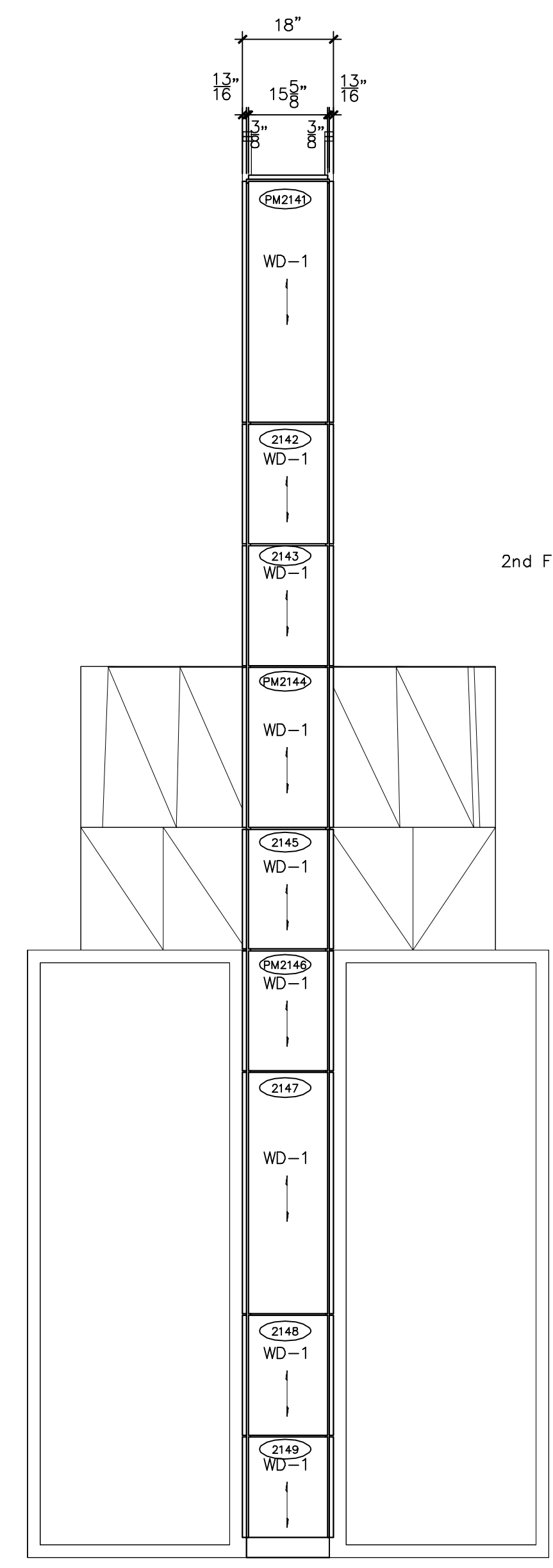
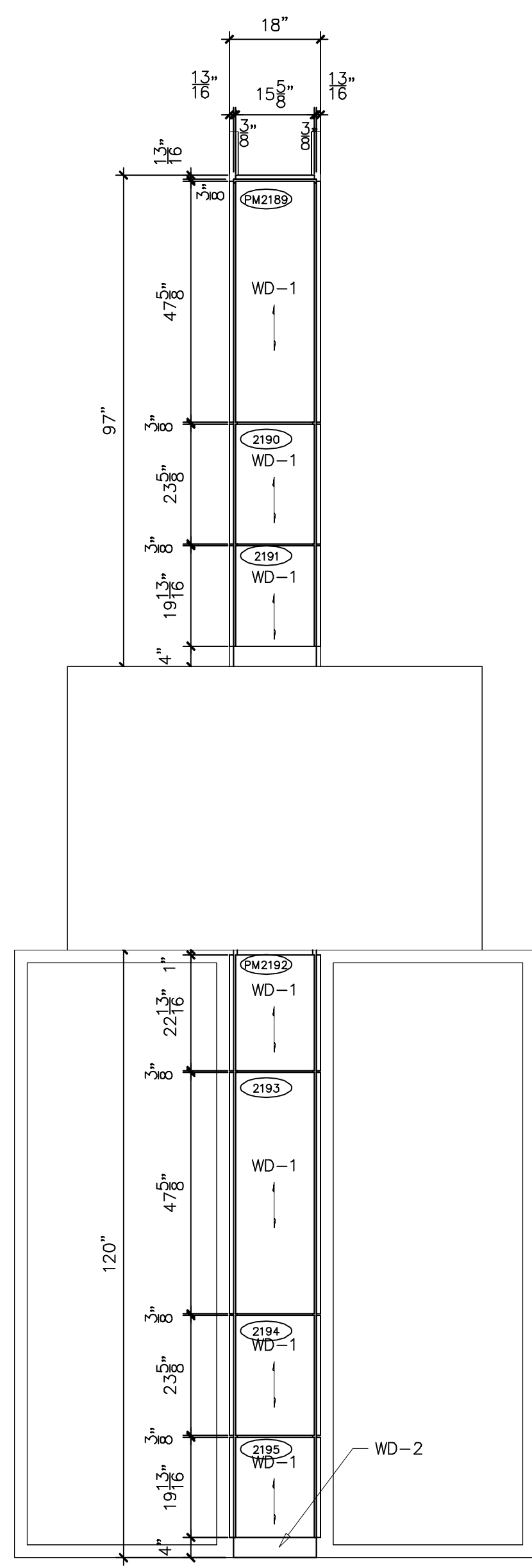
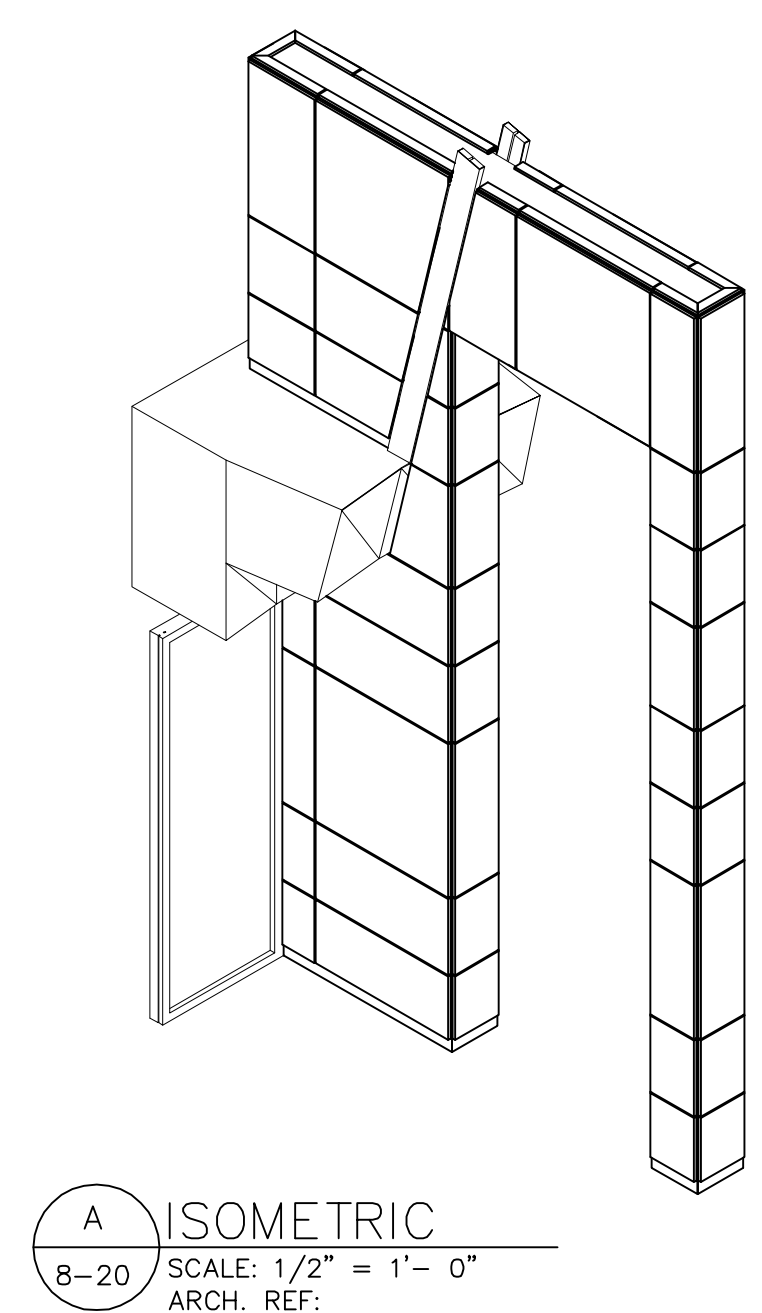
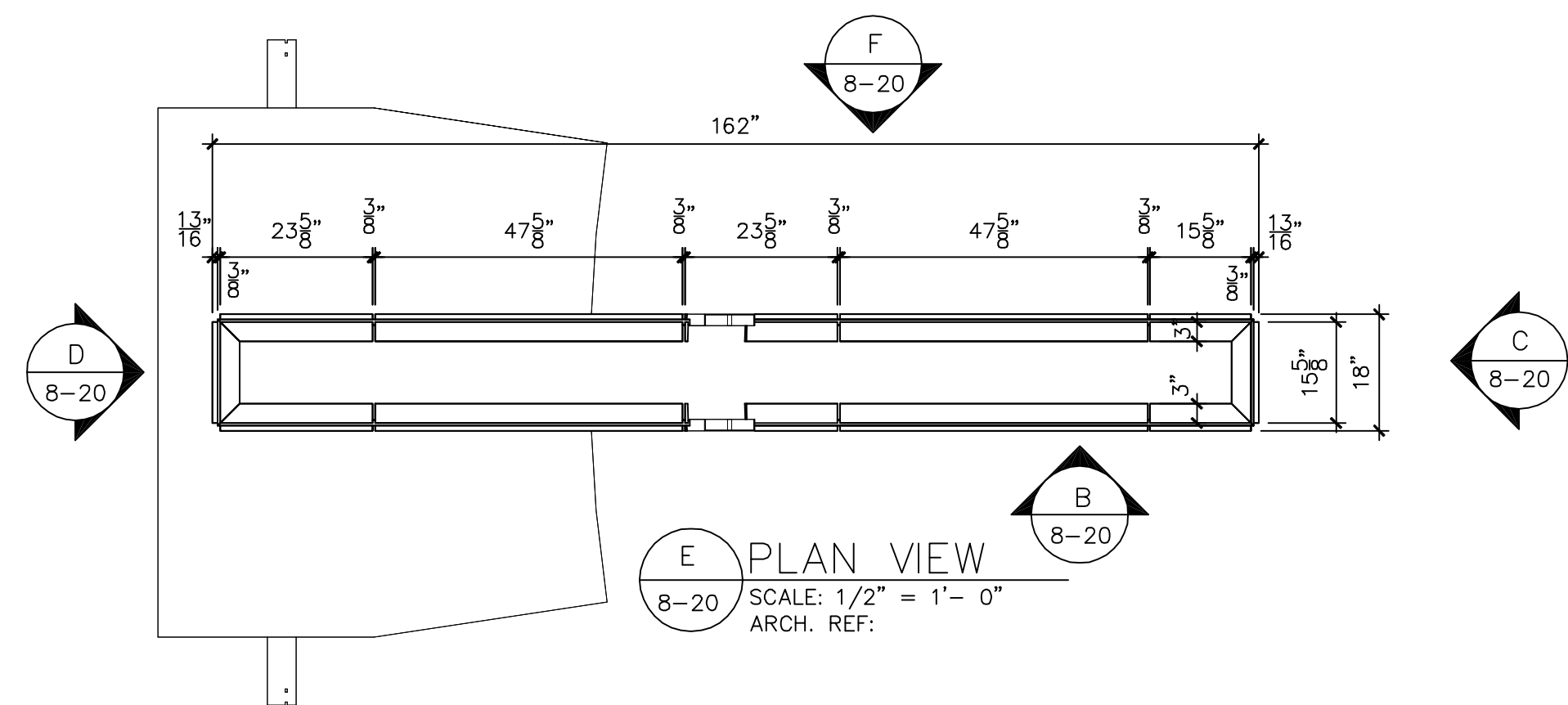
SEE SHOP DRAWING 8-22

NOTES:

DOUBLE CHECK BY:	DATE:
FIELD LAYOUT BY:	DATE:
7.	
6.	
5.	
4.	
3.	
2.	
1.	
REVISIONS:	

JOB NAME:  
CORPORATE OFFICE  
GASTONIA, NC

DRAWING NAME: ISOMETRIC VIEWS OF PORTAL COLUMNS	
DRAWN BY:	DRAWING DATE: 6/5/00
JOB NO.	DRAWING NO. 8-0



NOTES:

FINISHES:  
WD-1: QUART. MAPLE VENEER, AMBER FINISH  
WD-2: SOLID MAPLE, BLACK FINISH

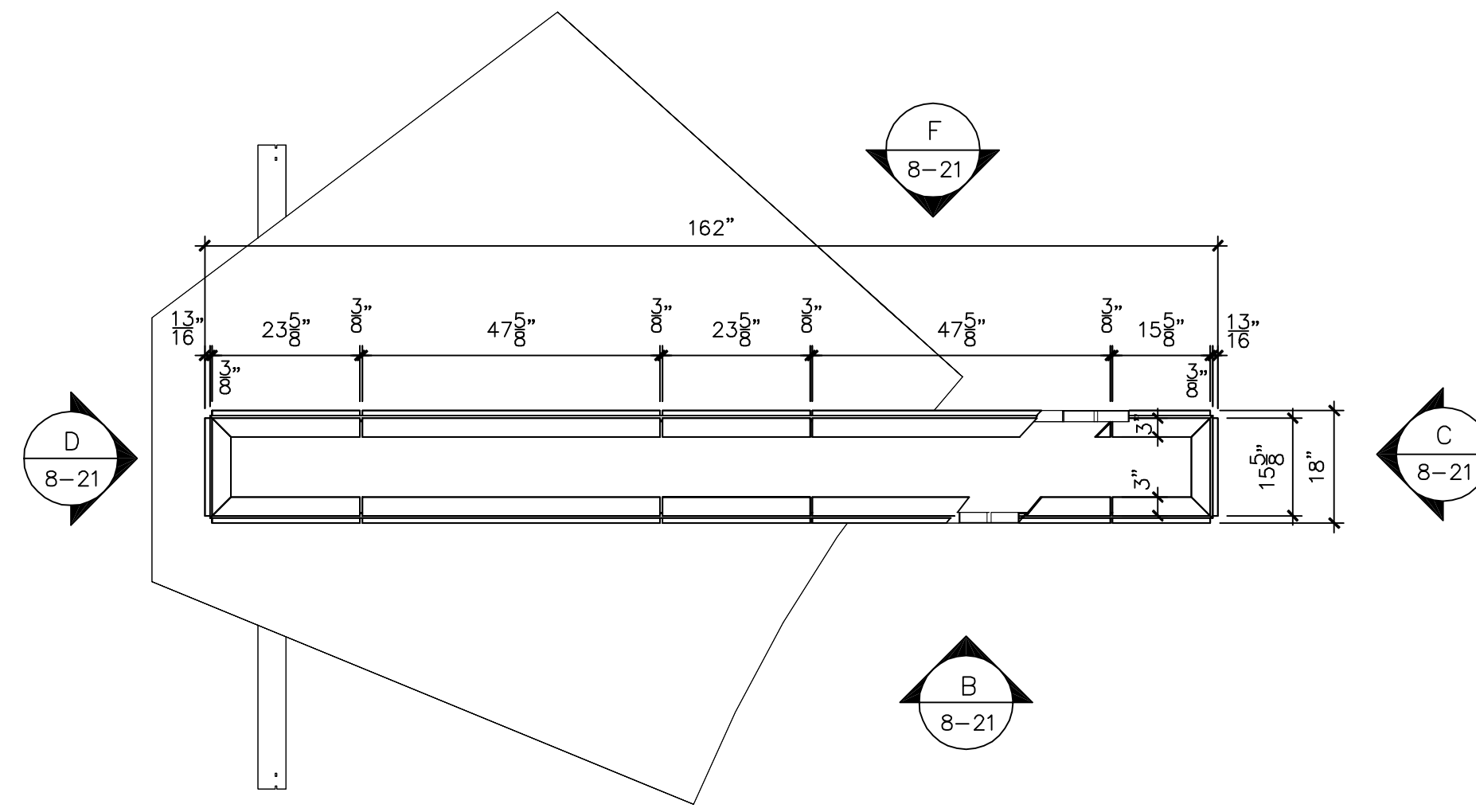
- 6529 6527 AA SHEET GOODS PANELS PM2100 - 2149
- 6530 6528 AA SHEET GOODS PANELS PM2150 - 2195
- 6531 FURRING PANELS
- 6527 PANELS PM2100 - 2149
- 6528 PANELS PM2150 - 2195

DOUBLE CHECK BY:	DATE:
FIELD LAYOUT BY:	DATE:
7.	
6.	
5.	
4.	
3.	
2.	
1.	
REVISIONS:	

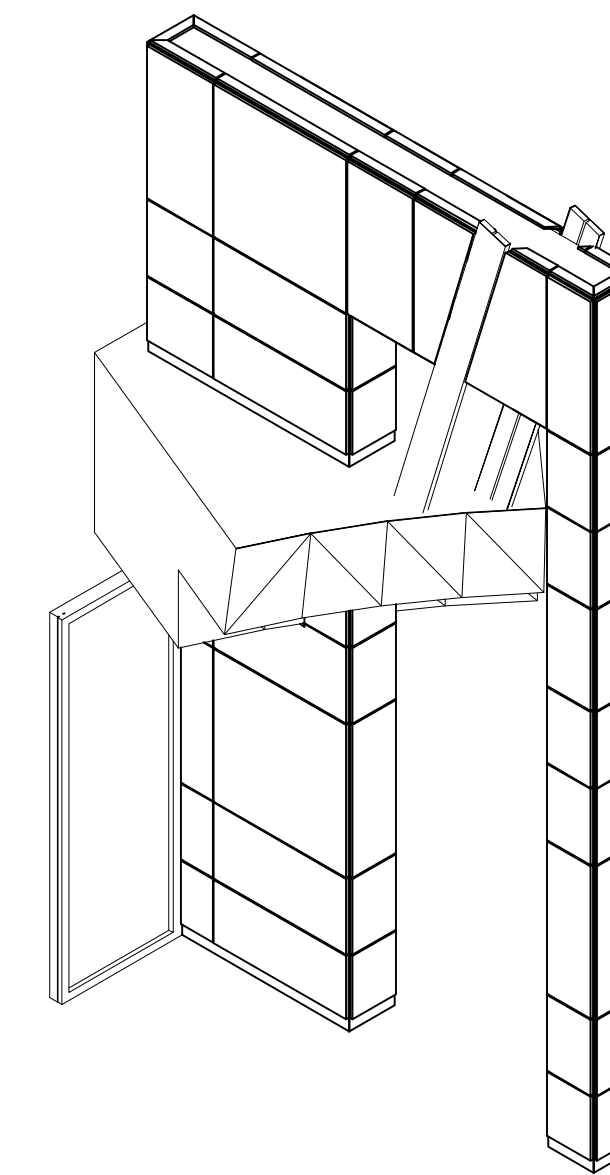
JOB NAME:  
**CORPORATE OFFICE**  
GASTONIA, NC

DRAWING NAME:  
**PANELS AT CENTER PORTAL COLUMN #2**

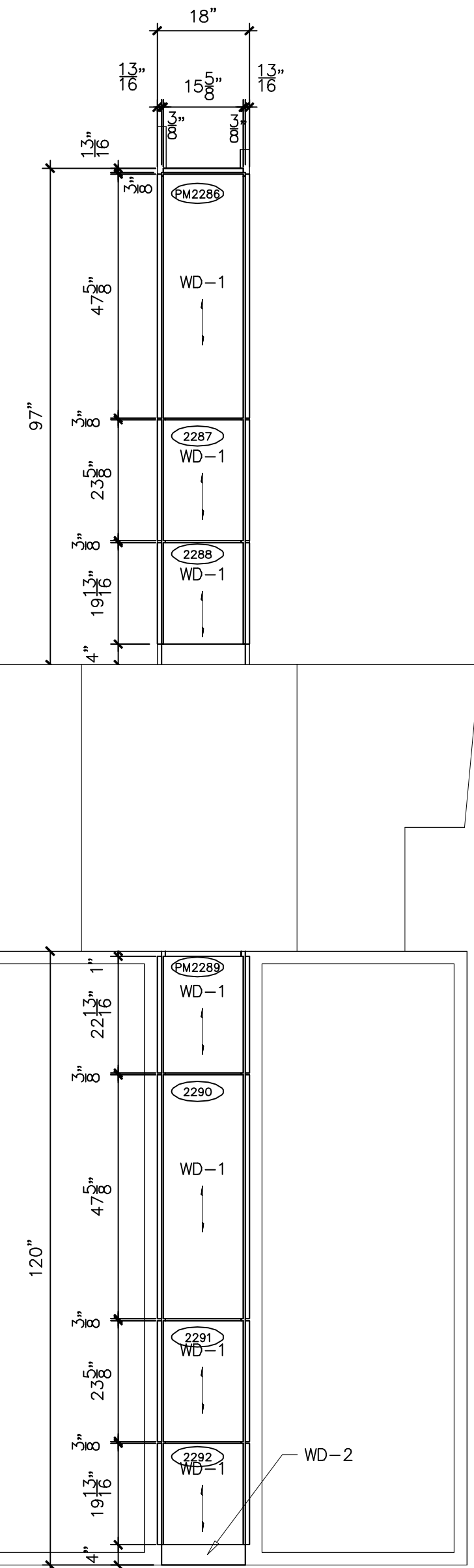
DRAWN BY:	DRAWING DATE: 6/5/00
JOB NO.	DRAWING NO. 8-20



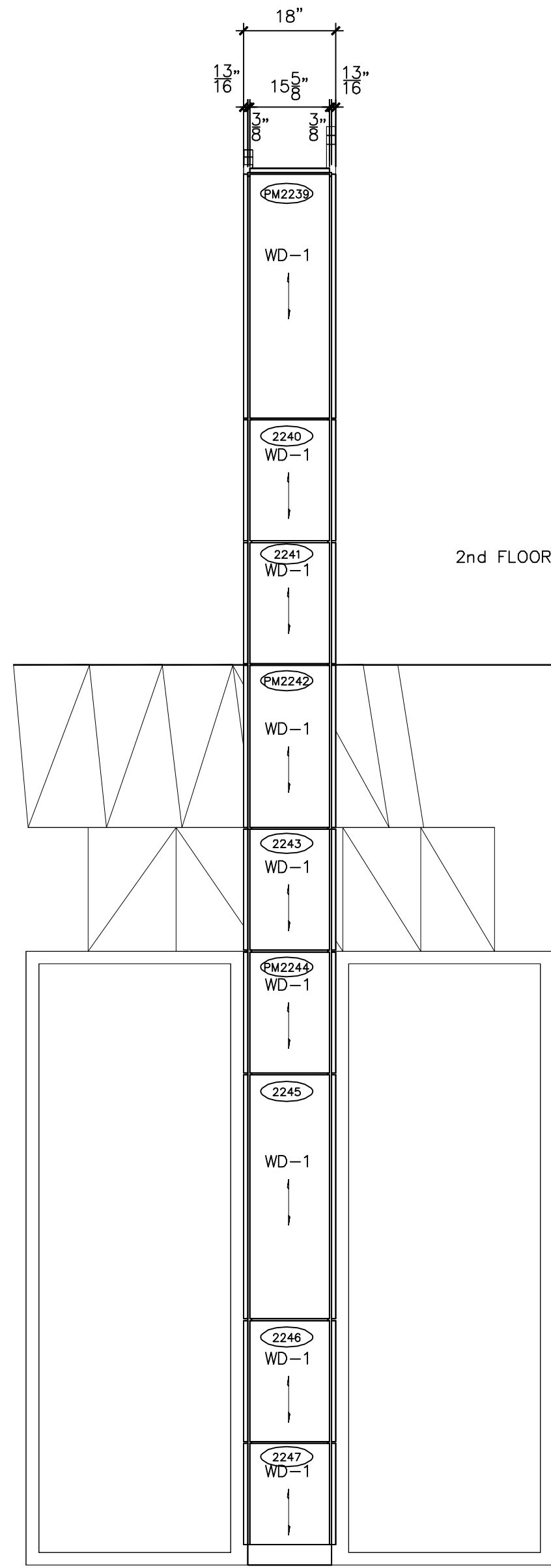
**E PLAN VIEW**  
8-21 SCALE: 1/2" = 1'-0"  
ARCH. REF:



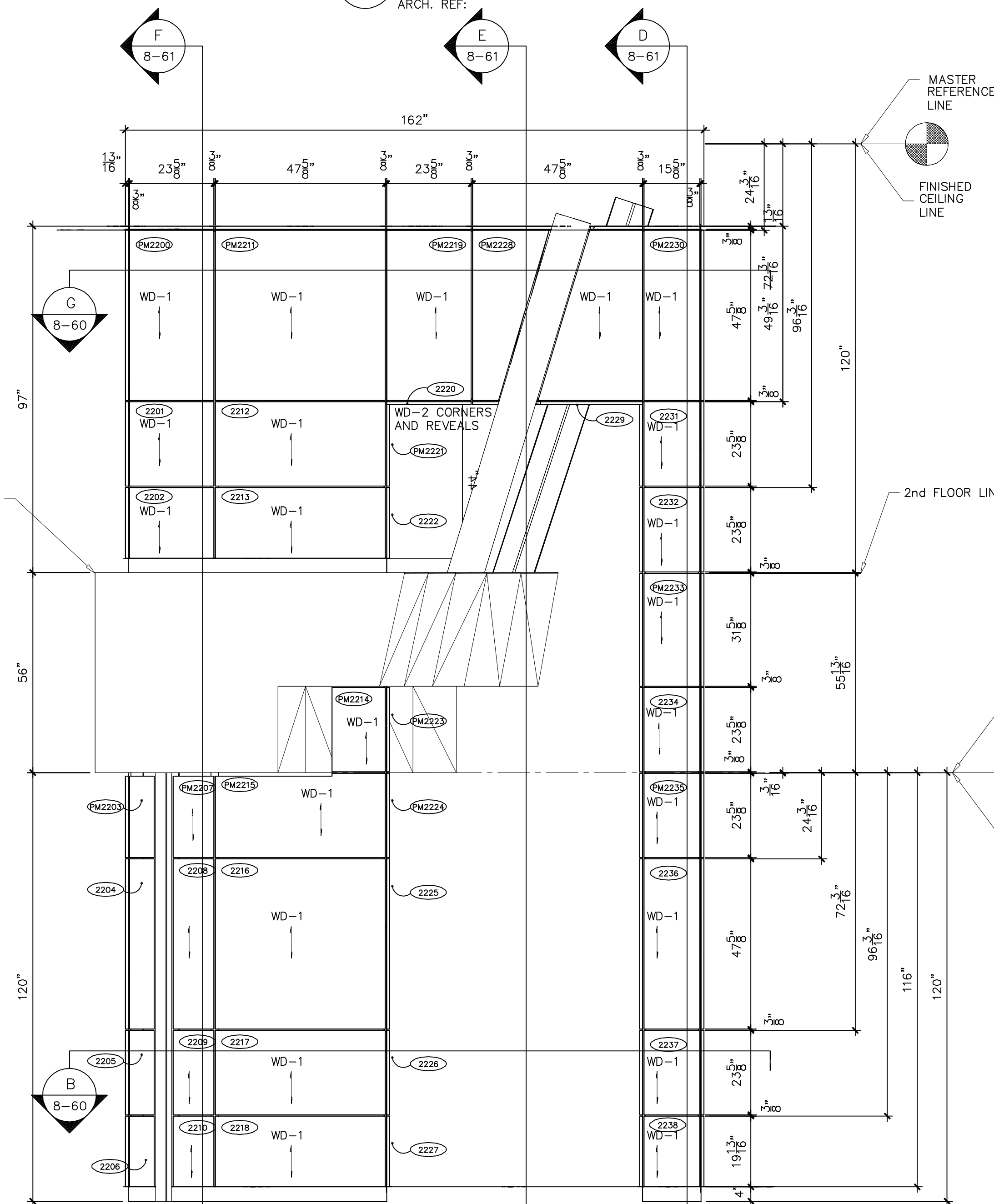
**A ISOMETRIC VIEW**  
8-21 SCALE: NTS  
ARCH. REF:



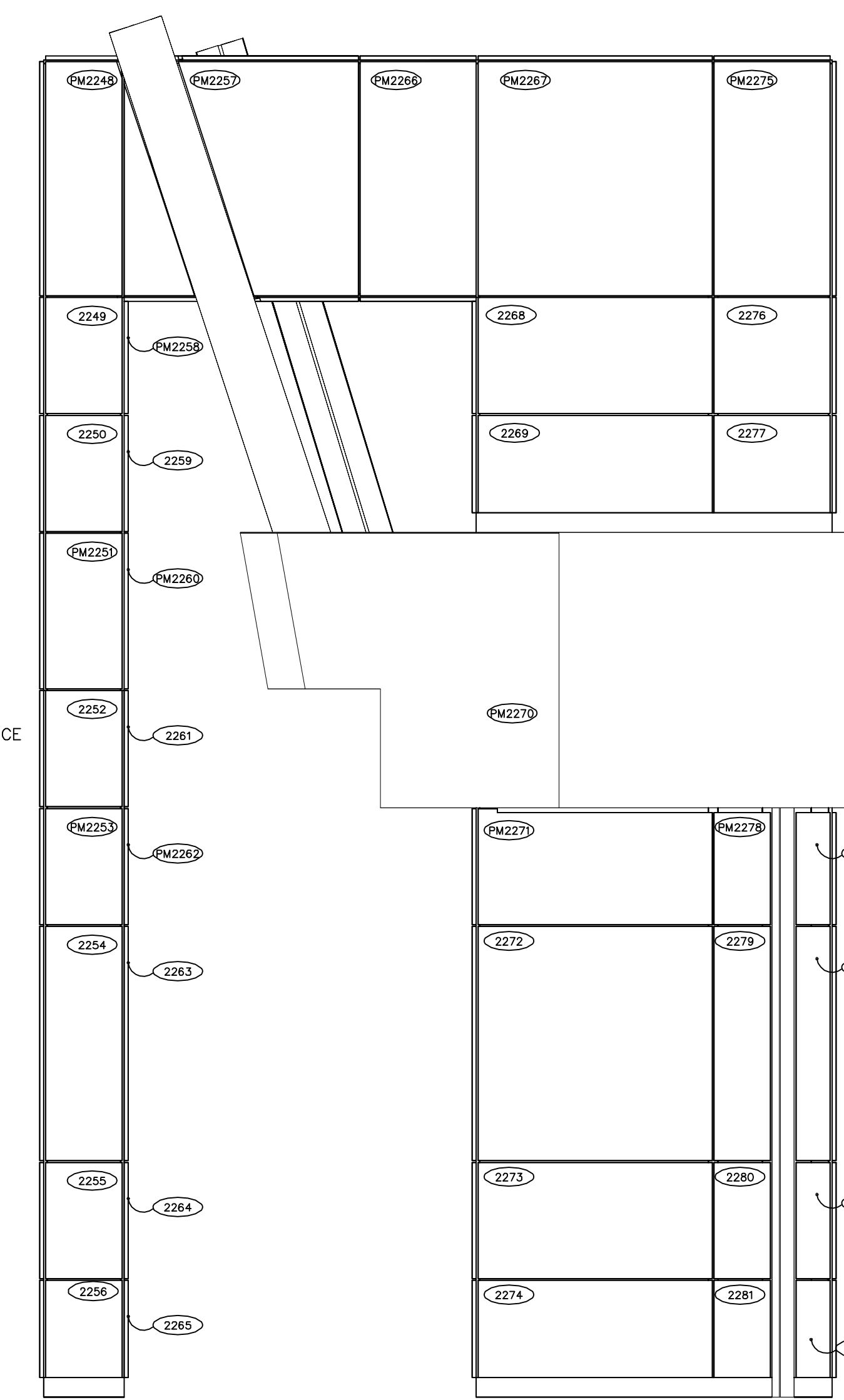
**D WEST ELEVATION**  
8-21 SCALE: 1/2" = 1'-0"  
ARCH. REF:



**C EAST ELEVATION**  
8-21 SCALE: 1/2" = 1'-0"  
ARCH. REF:



**B NORTH ELEVATION**  
8-21 SCALE: 1/2" = 1'-0"  
ARCH. REF:



**F SOUTH ELEVATION**  
8-23 SCALE: 1/2" = 1'-0"  
ARCH. REF:

NOTES:

FINISHES:

WD-1: QUART. MAPLE VENEER, AMBER FINISH  
WD-2: SOLID MAPLE, BLACK FINISH

6523 6521 SHEET GOODS  
AA PANELS PM2200 - 2247

6524 6522 SHEET GOODS  
AA PANELS PM2248 - 2292

6525 FURRING PANELS

6521 PANELS PM2200 - 2247

6522 PANELS PM2248 - 2292

DOUBLE CHECK BY: DATE:

FIELD LAYOUT BY: DATE:

7.	
6.	
5.	
4.	
3.	
2.	
1.	
REVISIONS:	

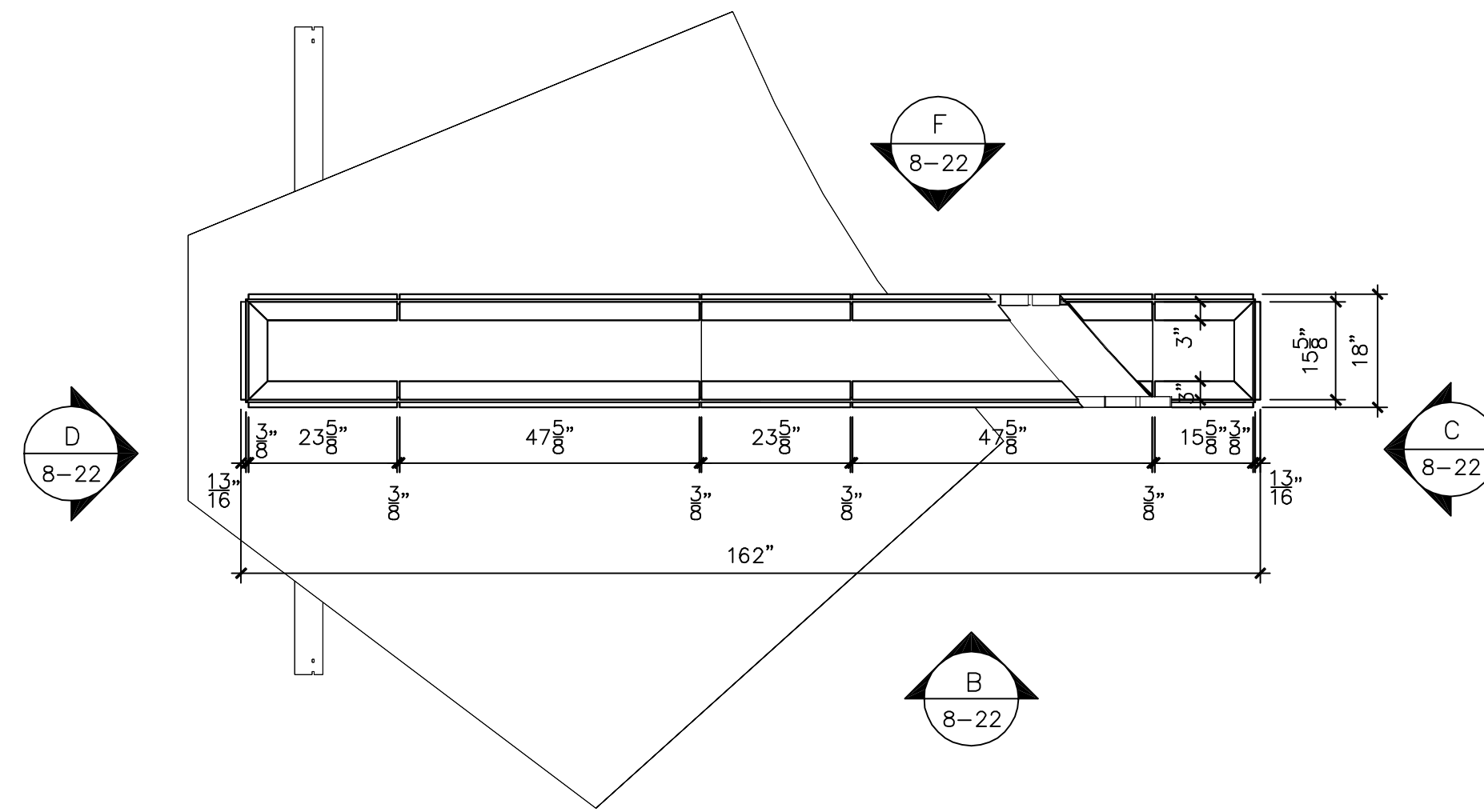
JOB NAME:  
CORPORATE OFFICE  
GASTONIA, NC

DRAWING NAME:  
PANELS AT RIGHT HAND  
PORTAL COLUMN #1

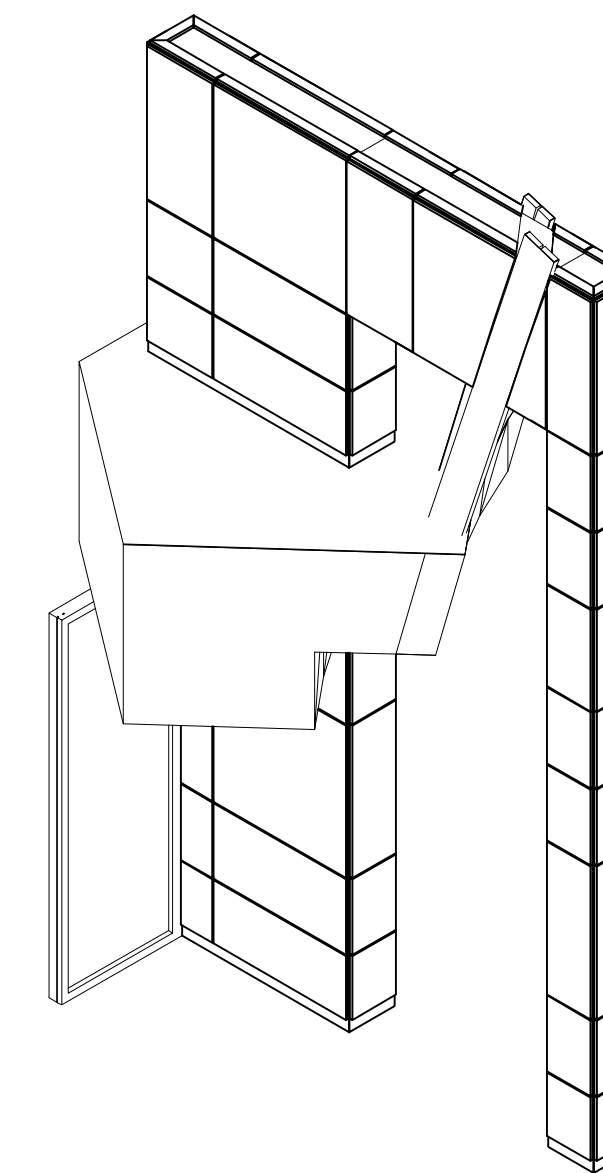
DRAWN BY: DRAWING DATE:  
6/29/00

JOB NO. DRAWING NO.

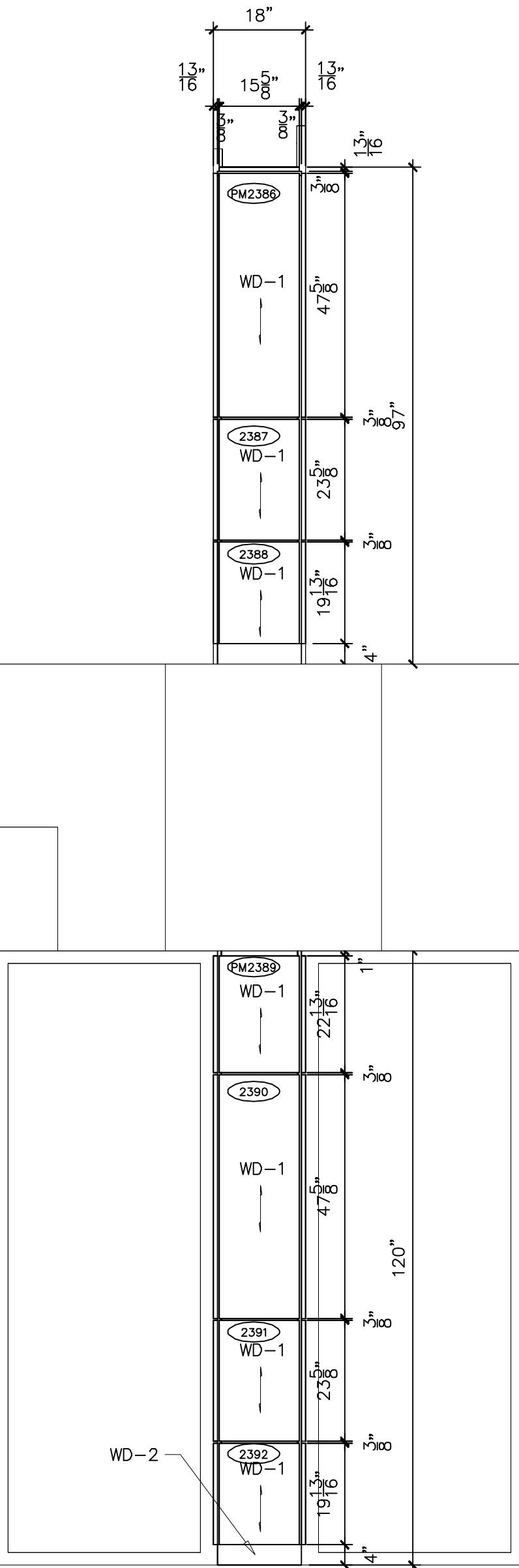
8-21



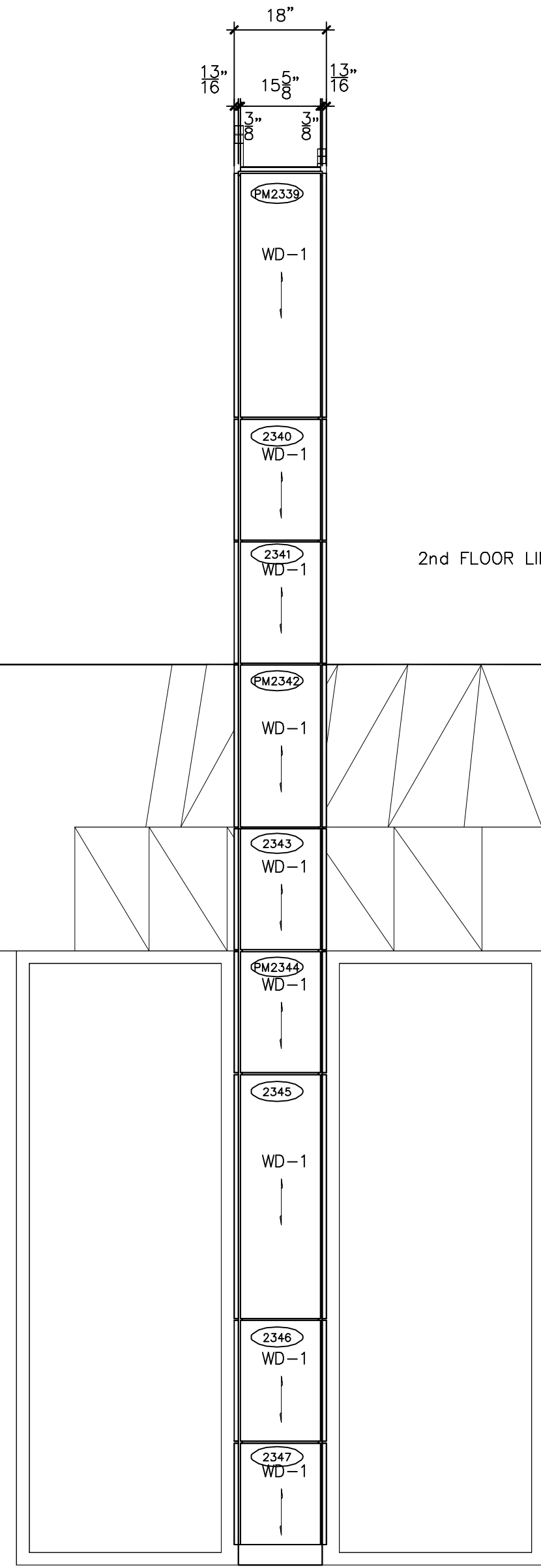
**E PLAN VIEW**  
8-22 SCALE: 1/2" = 1'- 0"  
ARCH. REF:



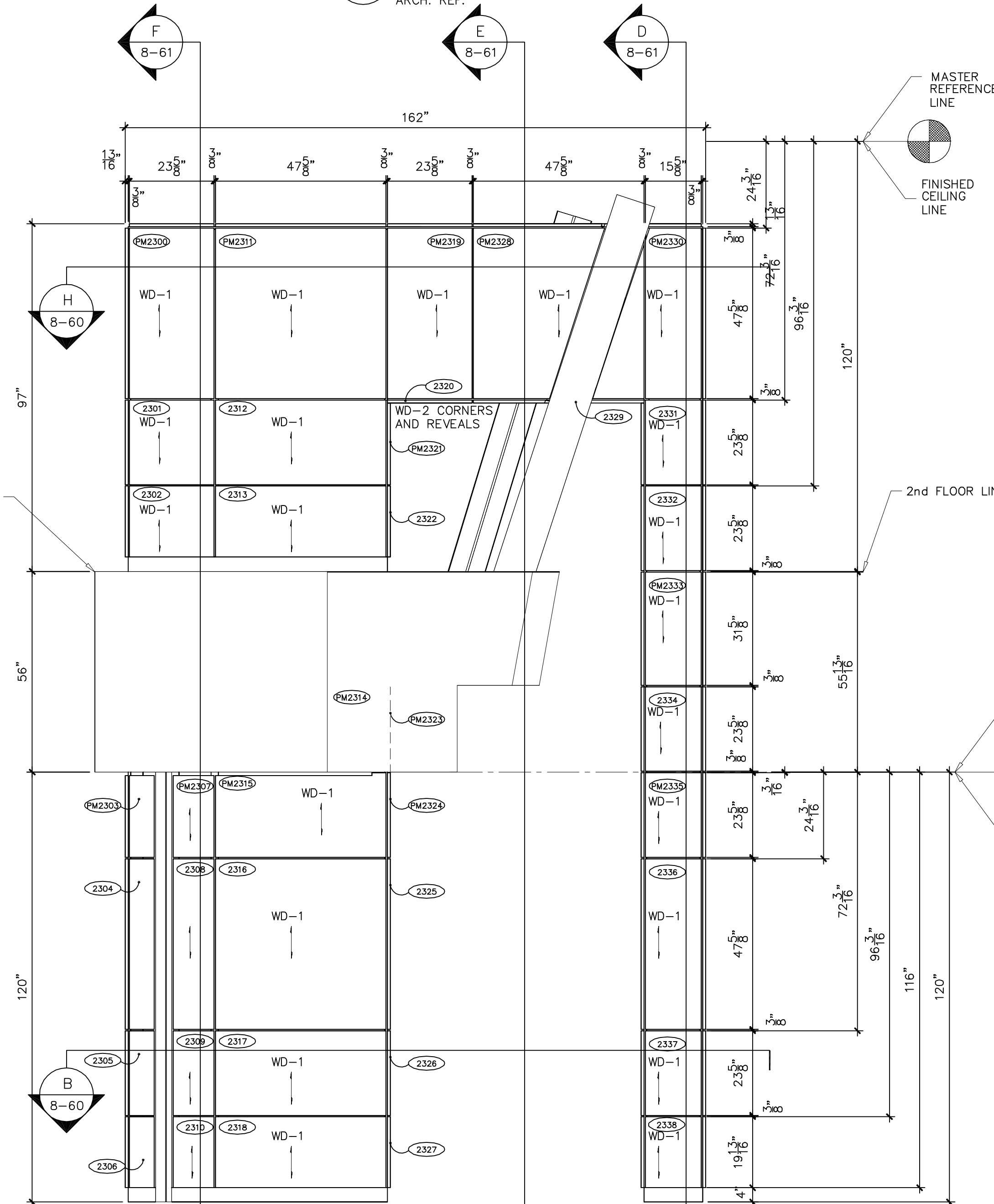
**A ISOMETRIC VIEW**  
8-22 SCALE: NTS  
ARCH. REF:



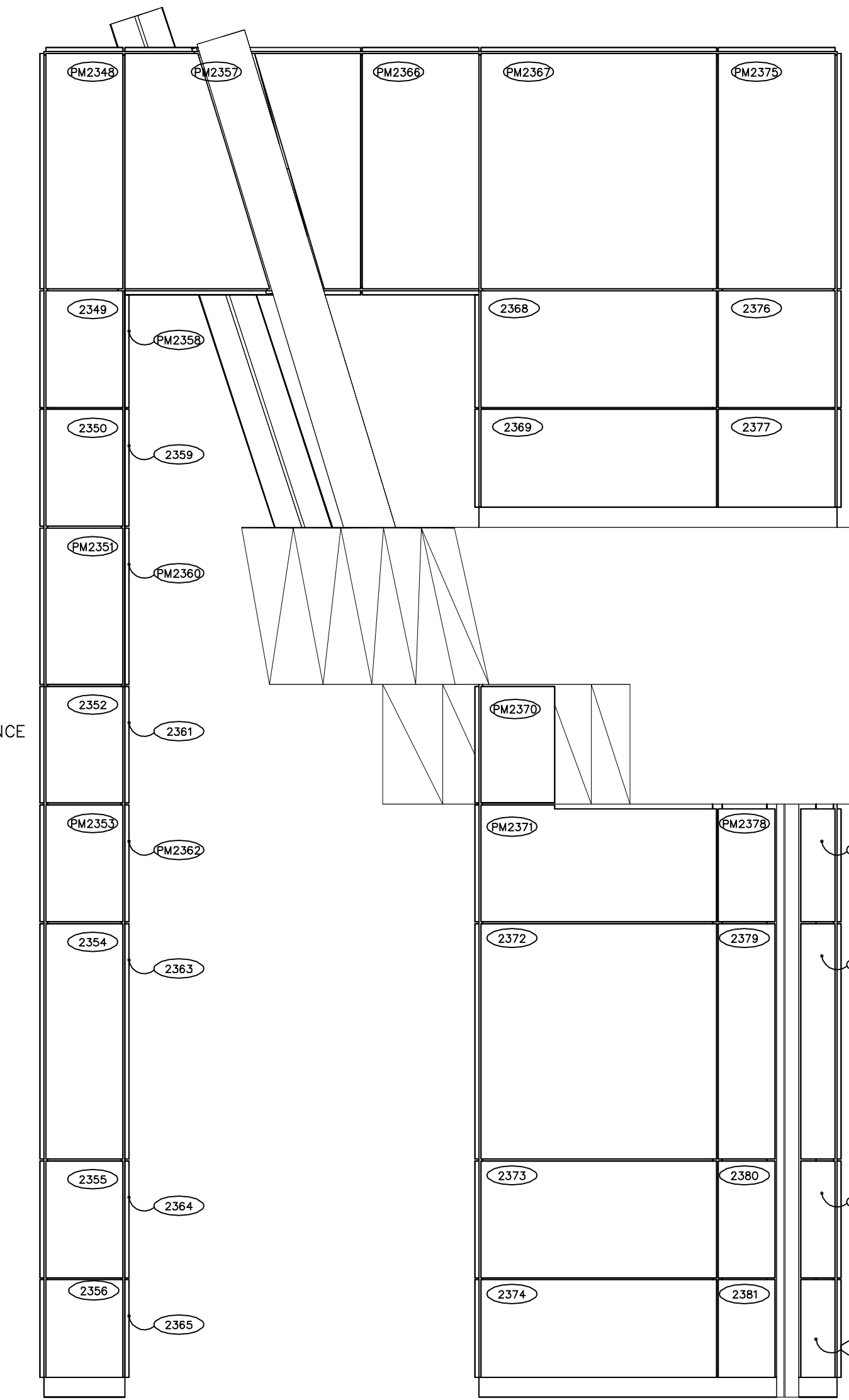
**D WEST ELEVATION**  
8-22 SCALE: 1/2" = 1'- 0"  
ARCH. REF:



**C EAST ELEVATION**  
8-22 SCALE: 1/2" = 1'- 0"  
ARCH. REF:



**B NORTH ELEVATION**  
8-22 SCALE: 1/2" = 1'- 0"  
ARCH. REF:



**F SOUTH ELEVATION**  
8-22 SCALE: 1/2" = 1'- 0"  
ARCH. REF:

**NOTES:**

**FINISHES:**

WD-1: QUART. MAPLE VENEER, AMBER FINISH  
WD-2: SOLID MAPLE, BLACK FINISH

- 6535 6533 AA SHEET GOODS PANELS PM2300 - 2347
- 6536 6534 AA SHEET GOODS PANELS PM2348 - 2392
- 6537 FURRING PANELS
- 6533 PANELS PM2300 - 2347
- 6534 PANELS PM2348 - 2392

DOUBLE CHECK BY:	DATE:
FIELD LAYOUT BY:	DATE:
7.	
6.	
5.	
4.	
3.	
2.	
1.	
REVISIONS:	

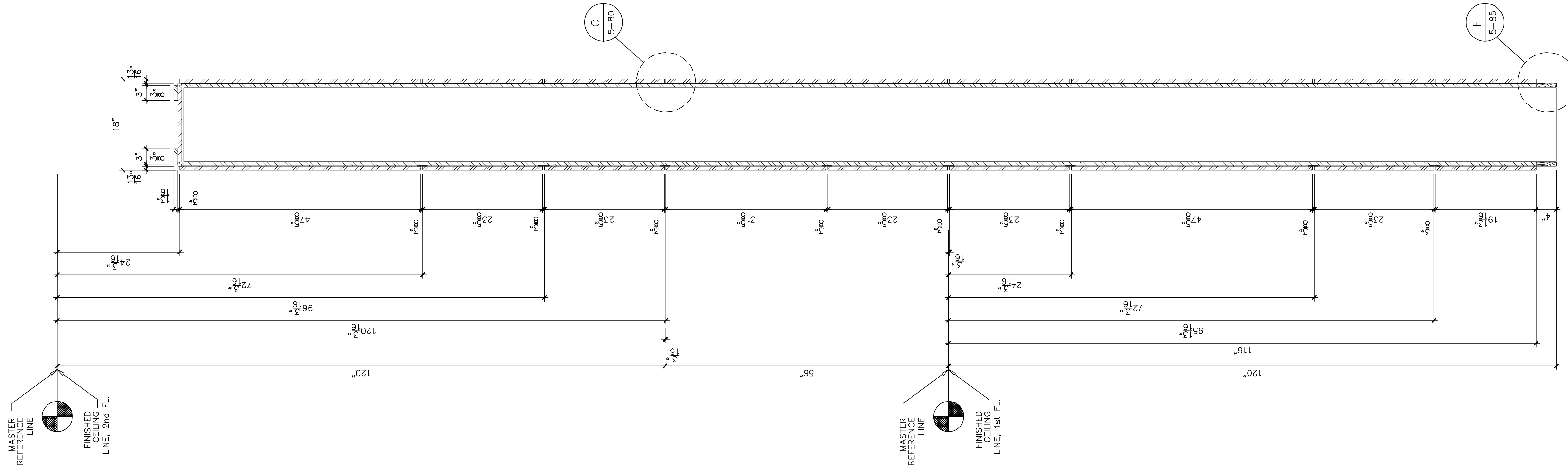
**JOB NAME:**  
COPORATE OFFICE  
GASTONIA, NC

**DRAWING NAME:**  
PANELS AT LEFT HAND  
PORTAL COLUMN #3

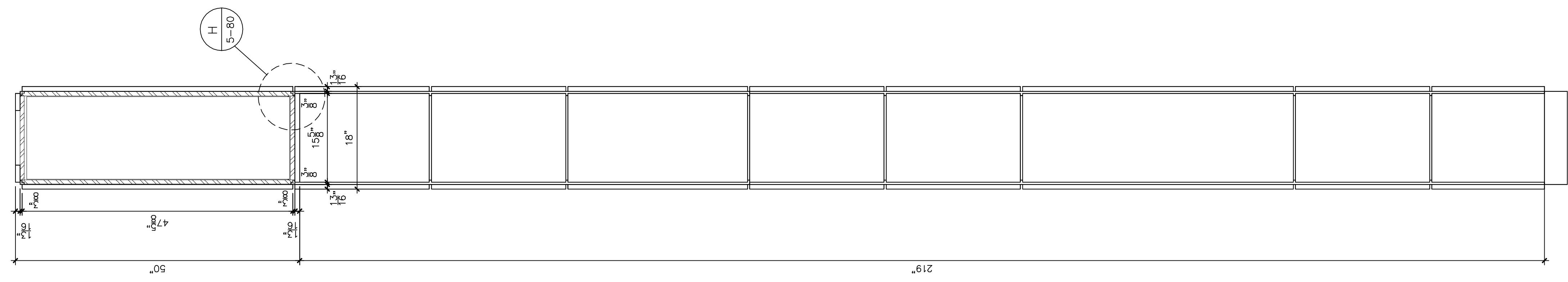
DRAWN BY:	DRAWING DATE:
JOB NO.	DRAWING NO.

8-22

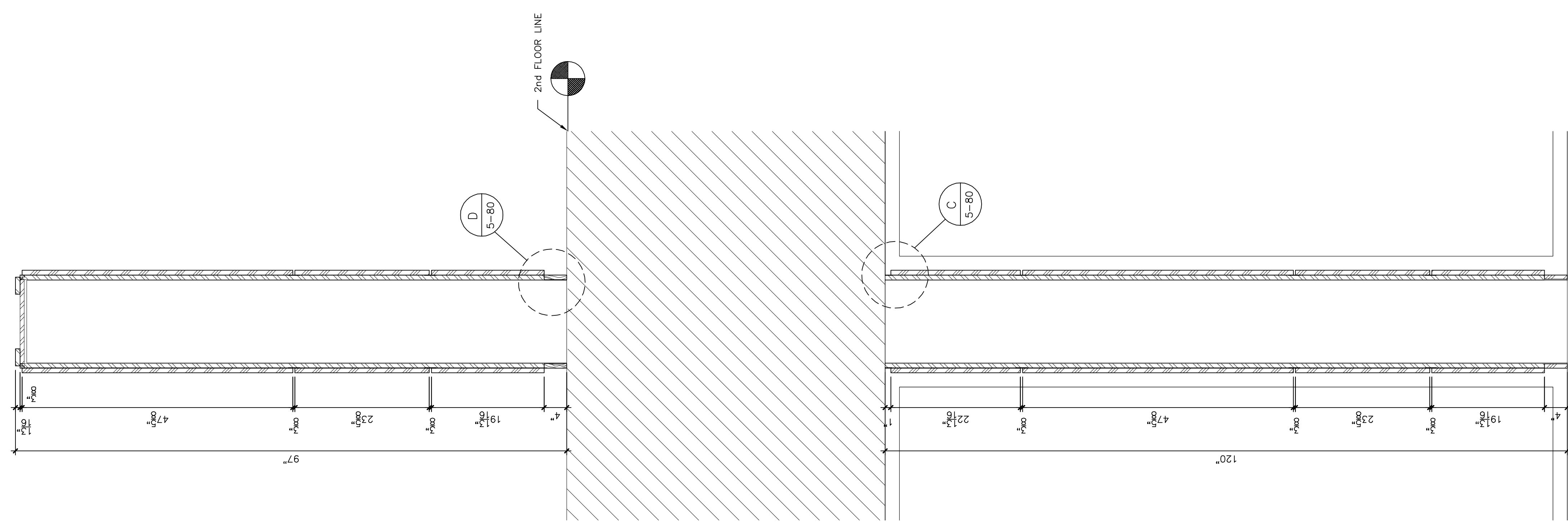




D VERTICAL SECTION  
8-61 SCALE: 1" = 1'-0"  
ARCH. REF.



E VERTICAL SECTION  
8-61 SCALE: 1" = 1'-0"  
ARCH. REF.



F VERTICAL SECTION  
8-61 SCALE: 1" = 1'-0"  
ARCH. REF.

DOUBLE CHECK BY:	DATE:
FIELD LAYOUT BY:	DATE:

NO.	REVISIONS:
7.	
6.	
5.	
4.	
3.	
2.	
1.	

JOB NAME:  
CORPORATE OFFICE  
GASTONIA, NC

DRAWING NAME: VERTICAL SECTION AT PORTAL COLUMNS	
DRAWN BY:	DRAWING DATE: 6/1/00
JOB NO.	DRAWING NO. 8-61

NOTES: