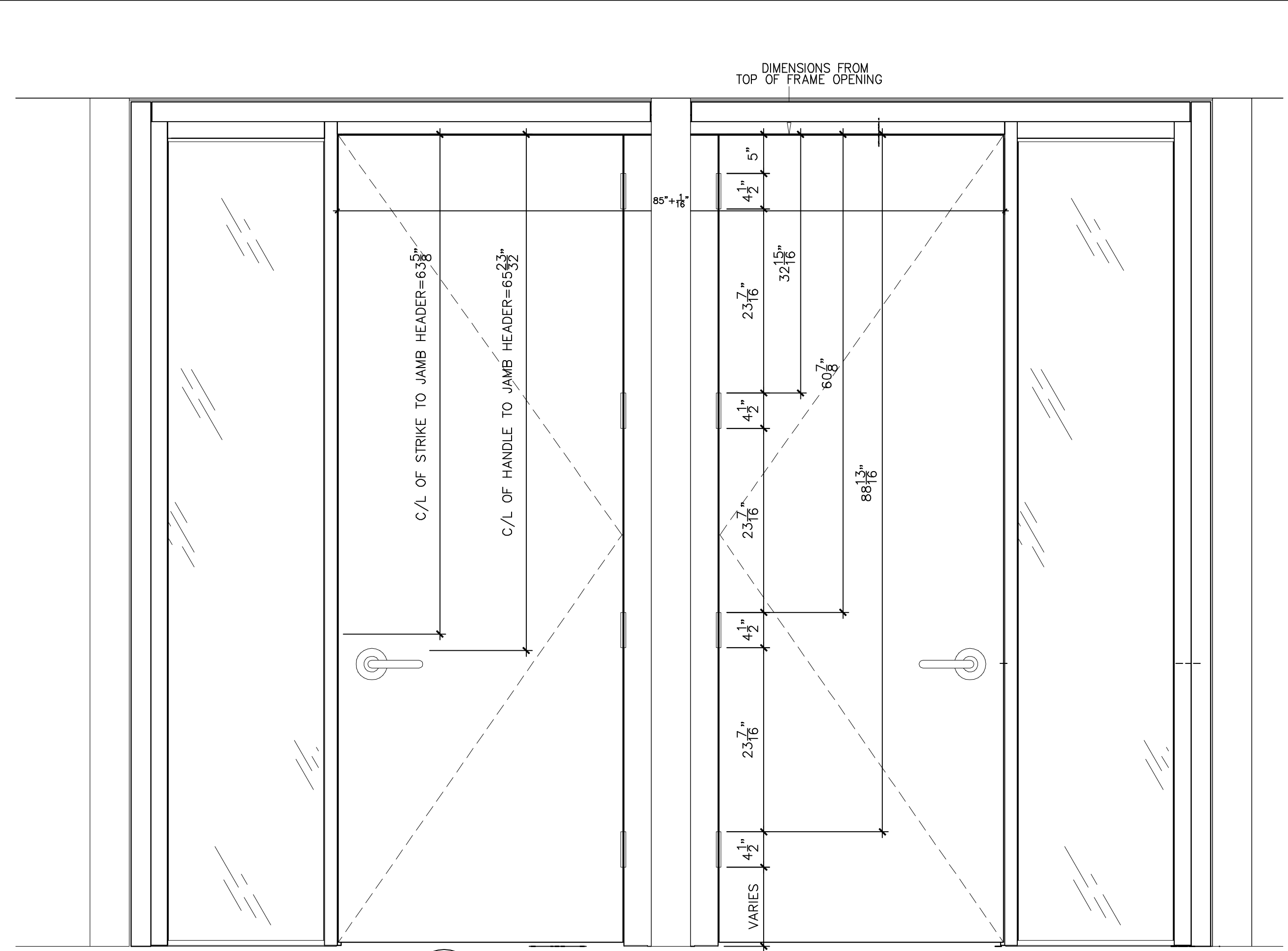
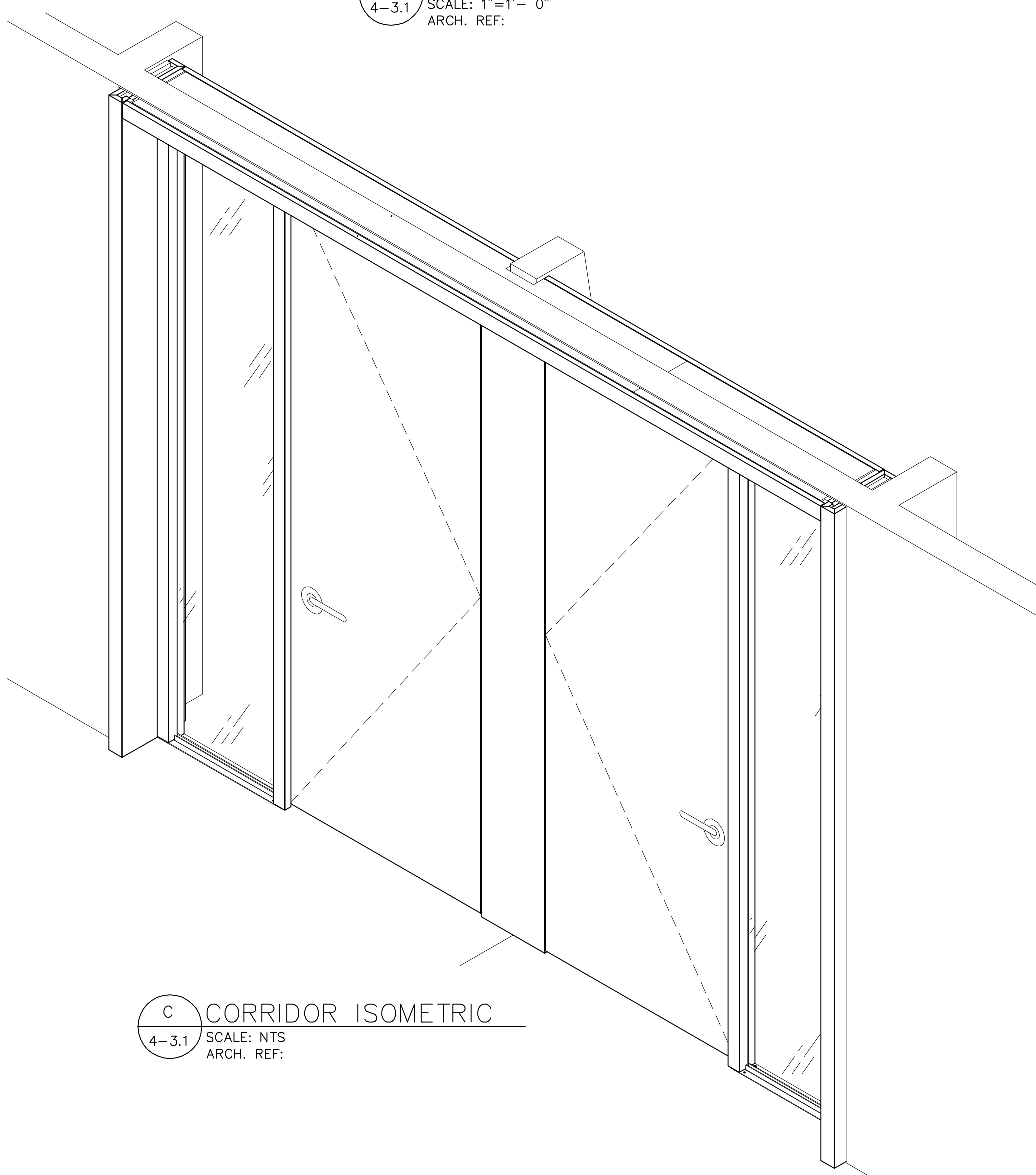


A CORRIDOR ELEVATION
4-3.1 SCALE: 1"=1'-0"
ARCH. REF:



B OFFICE ELEVATION
4-3.1 SCALE: 1"=1'-0"
ARCH. REF:

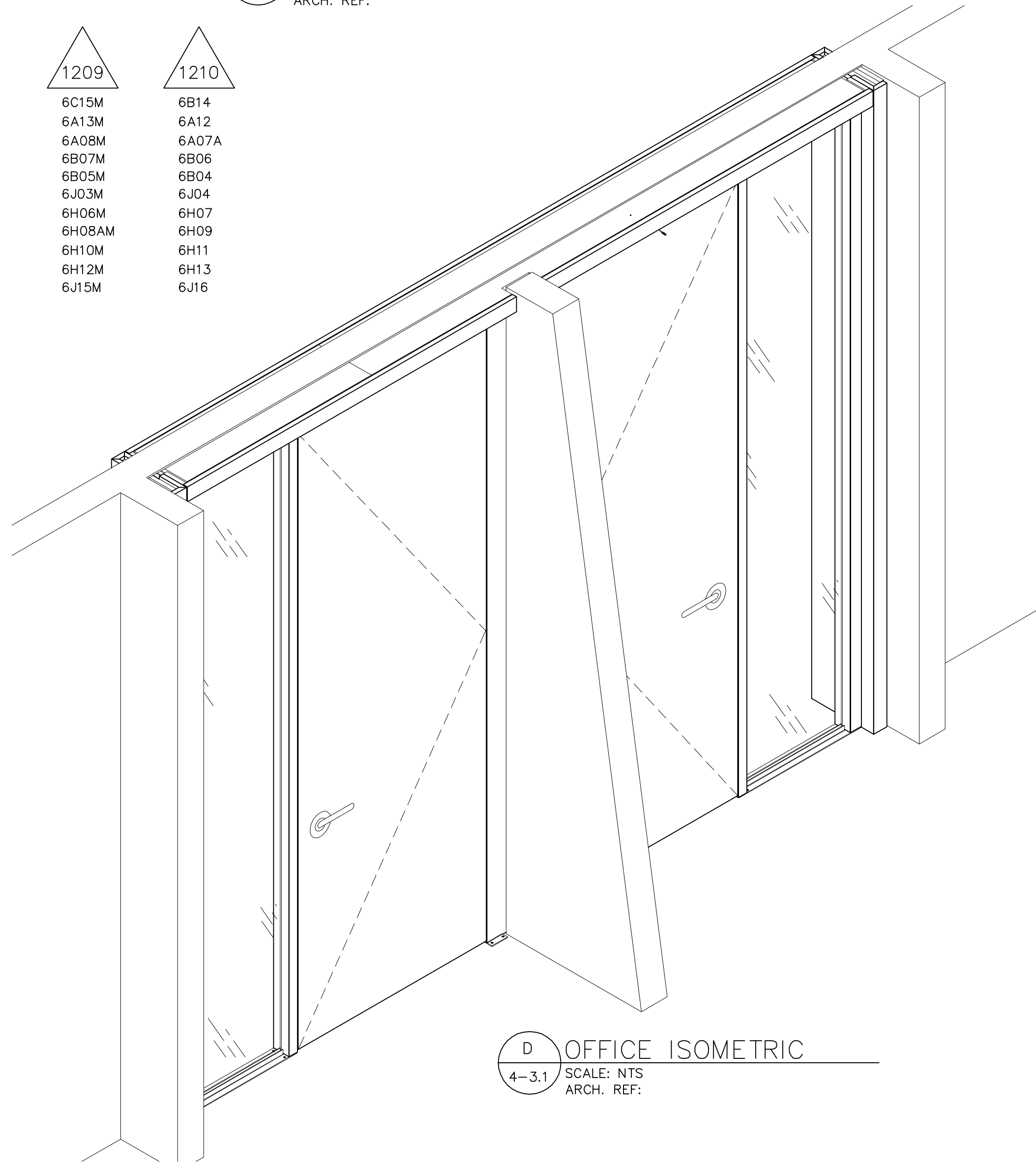


C CORRIDOR ISOMETRIC
4-3.1 SCALE: NTS
ARCH. REF:

- 1144** 5TH FLOOR, NW BUILDING QUADRANT
ROOMS: 5J16, 5H13, 5H11
- 1148** 5TH FLOOR, SW BUILDING QUADRANT
ROOMS: 5H09, 5H07, 5J04
- 1146** 5TH FLOOR, NE BUILDING QUADRANT
ROOMS: 5C15, 5A13
- 1150** 6TH FLOOR, NW BUILDING QUADRANT
ROOMS: 6J16, 6H13, 6H11
- 1152** 6TH FLOOR, NE BUILDING QUADRANT
ROOMS: 6C15, 6A13
- 1265** 6TH FLOOR, SW BUILDING QUADRANT
ROOMS: 6J04, 6H07, 6H09
- 1266** 6TH FLOOR, SE BUILDING QUADRANT
ROOMS: 6B05, 6B07, 6A08,
- 9259** 6TH FLOOR, SE BUILDING QUADRANT
⊙ STAIRWAY
ROOMS: 6A10

DOOR BATCHES

- | | | |
|--|---|--|
| 1202
5C15
5A13
5J03
5H06
5H08A
5H10
5H12
5J15 | 1209
6C15M
6A13M
6A08M
6B07M
6B05M
6J03M
6H06M
6H08AM
6H10M
6H12M
6J15M | 1210
6B14
6A12
6A07A
6B06
6B04
6J04
6H07
6H09
6H11
6H13
6J16 |
| 1203
5C15M
5A13M
5J03M
5H06M
5H08AM
5H10M
5H12M
5J15M | 1204
5B14
5A12
5J04
5H07
5H09
5H11
5H13
5J16 | 1208
6C15
6A13
6A08
6B07
6B05
6J03
6H06
6H08A
6H10
6H12
6J15 |



D OFFICE ISOMETRIC
4-3.1 SCALE: NTS
ARCH. REF:

NOTES:

FINISHES:
WD-1: BLOCK MOTTLED MAKORE
WD-2: QUARTER SAPELE, RIBBON STRIPE

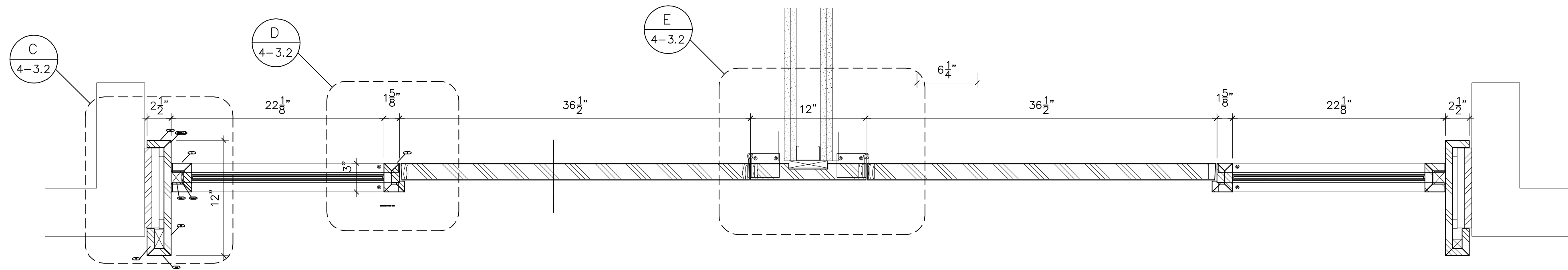
DOOR HARDWARE BY OTHERS, GROUP 1:
HINGES: MCKINNEY #T714, 4-1/2" x 4-1/2" BUTT HINGES, US10
LOCKSET: SCHLAGE #L:9050L x 17A x 612 ENTRY LOCKSET
DOOR STOP: DCI #3310 x 3300R DOME STOP WITH RISER
COAT HOOK: ROCKWOOD #RM-801 US10

DOUBLE CHECK BY:	DATE:
FIELD LAYOUT BY:	DATE:
7.	
6.	
5.	
4.	
3.	
2.	
1.	
REVISIONS:	

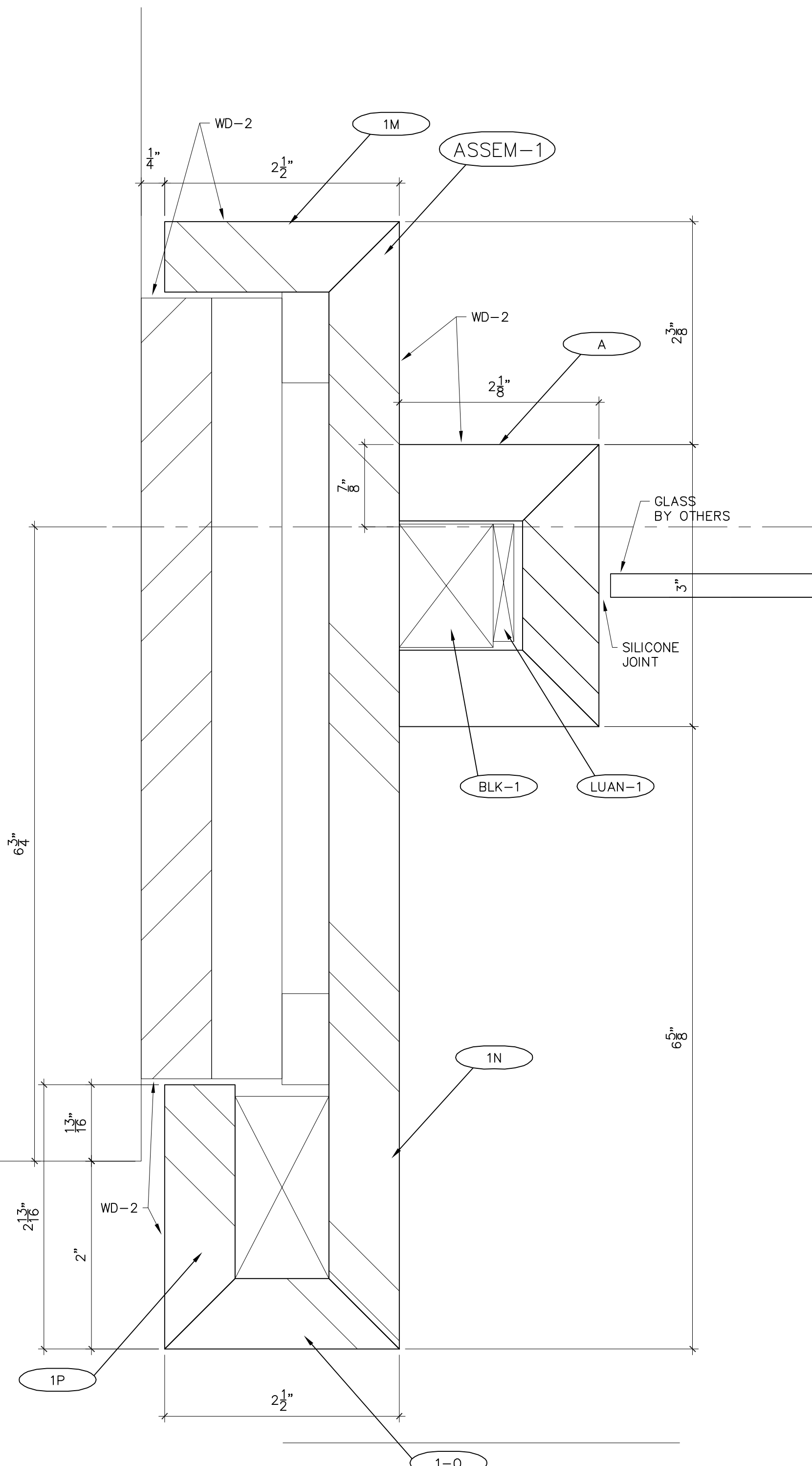
JOB NAME:
CORPORATE OFFICE
PALO ALTO, CA

DRAWING NAME:
TYPICAL DOUBLE OFFICE ENTRY

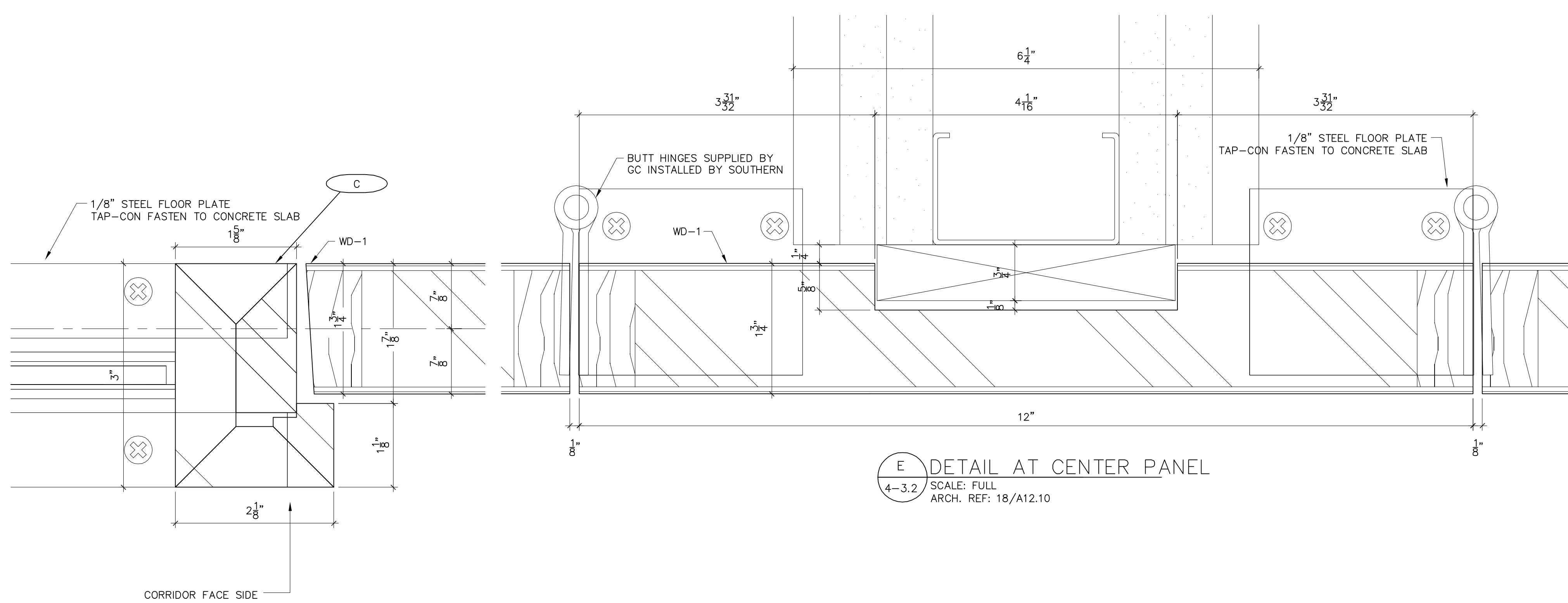
DRAWN BY:	DRAWING DATE: 05/13/03
JOB NO.	DRAWING NO. 4-3.1



A HORIZONTAL SECTION
 4-3.2 SCALE: 1 1/2" = 1'-0"
 ARCH. REF:

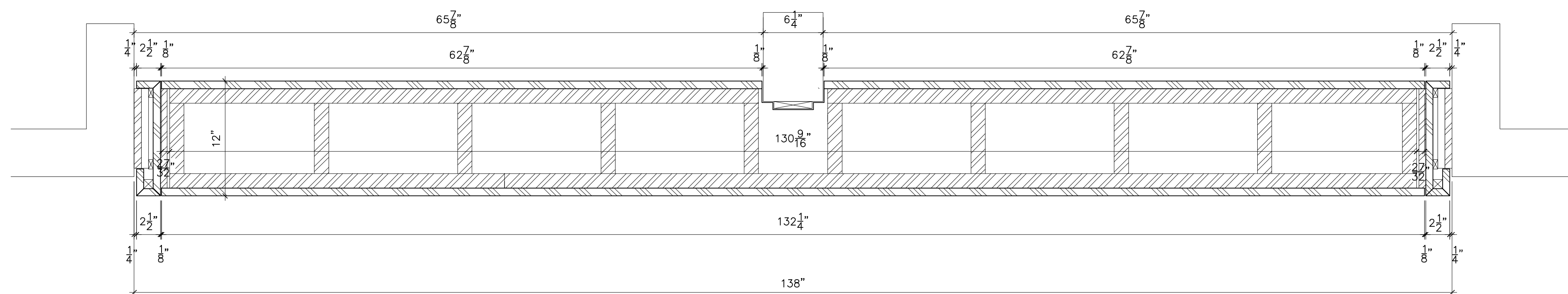


C DETAIL AT WALL
 4-3.2 SCALE: FULL
 ARCH. REF: 19/A12.10



E DETAIL AT CENTER PANEL
 4-3.2 SCALE: FULL
 ARCH. REF: 18/A12.10

D DETAIL AT DOOR
 4-3.2 SCALE: FULL
 ARCH. REF: 19/A12.10



B HORIZONTAL SECTION
 4-3.2 SCALE: 1 1/2" = 1'-0"
 ARCH. REF:

NOTES:

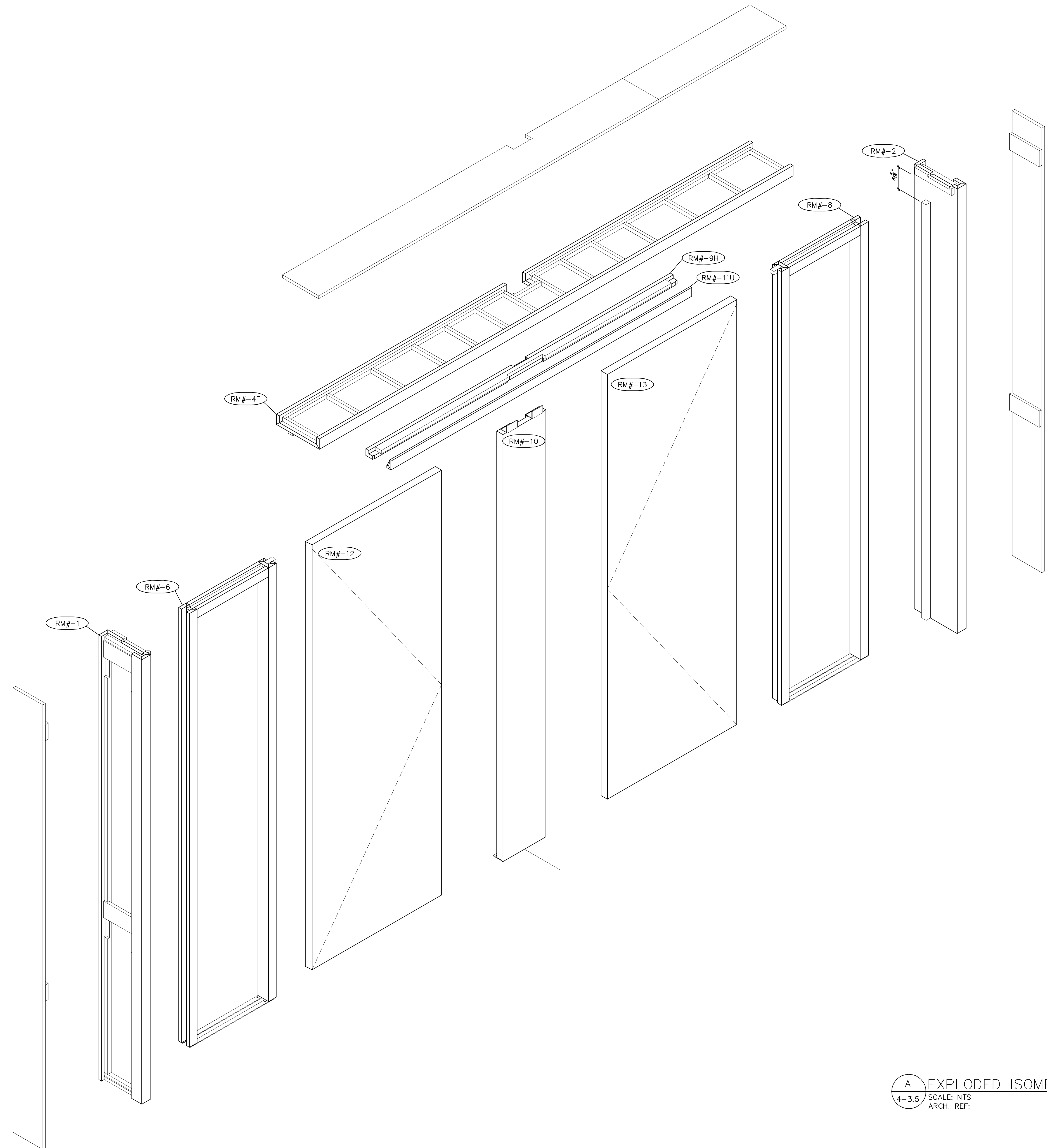
DOUBLE CHECK BY:	DATE:
FIELD LAYOUT BY:	DATE:
7.	
6.	
5.	
4.	
3.	
2.	
1.	
REVISIONS:	

JOB NAME:
CORPORATE OFFICE
 EAST PALO ALTO, CA

DRAWING NAME:
DETAILS AND SECTIONS
AT OFFICE ENTRIES

DRAWN BY:	DRAWING DATE:
JOB NO.	DRAWING NO.

4-3.2



NOTES:

FINISHES:
 WD-1: BLOCK MOTTLED MAKORE
 WD-2: QUARTER SAPELE, RIBBON STRIPE

DOUBLE CHECK BY: _____ DATE: _____

FIELD LAYOUT BY: _____ DATE: _____

7.	
6.	
5.	
4.	
3.	
2.	
1.	

REVISIONS:

JOB NAME:
 CORPORATE OFFICE
 PALO ALTO, CA

DRAWING NAME:
 EXPLODED VIEW OF
 OFFICE ENTRY

DRAWN BY: _____ DRAWING DATE: 05/13/03

JOB NO. _____ DRAWING NO. 4-3.5

A EXPLODED ISOMETRIC VIEW
 4-3.5 SCALE: NTS
 ARCH. REF: