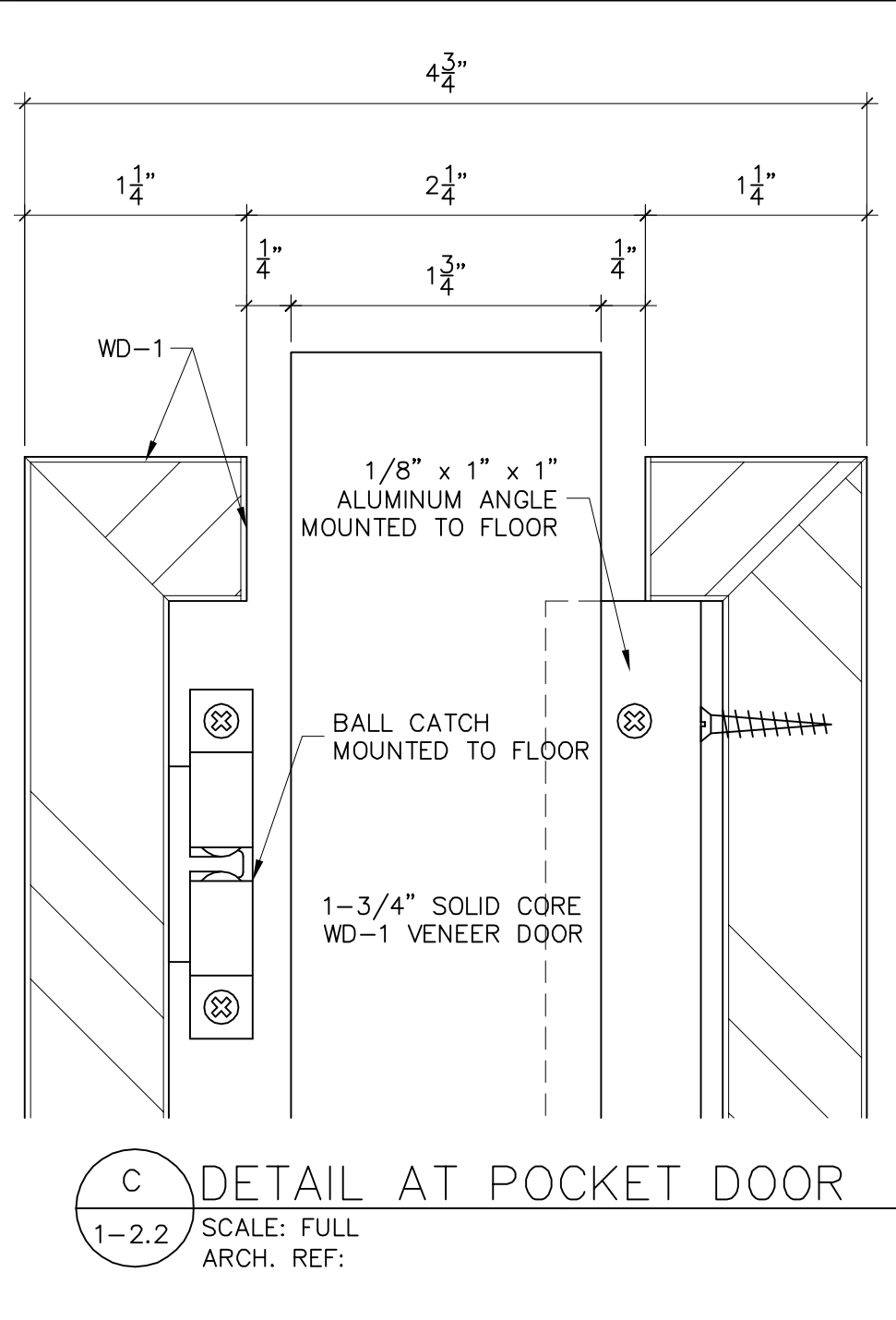
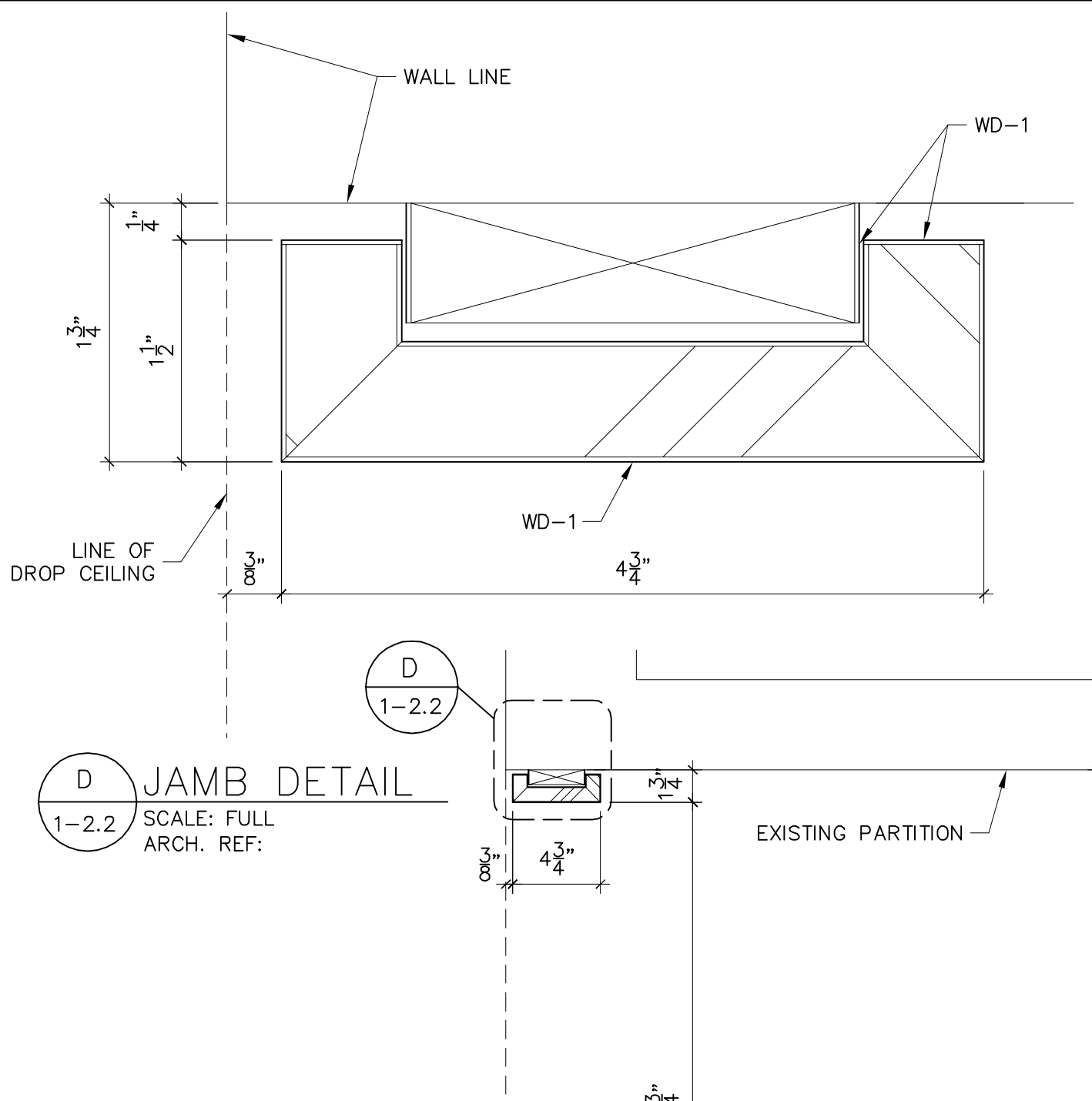


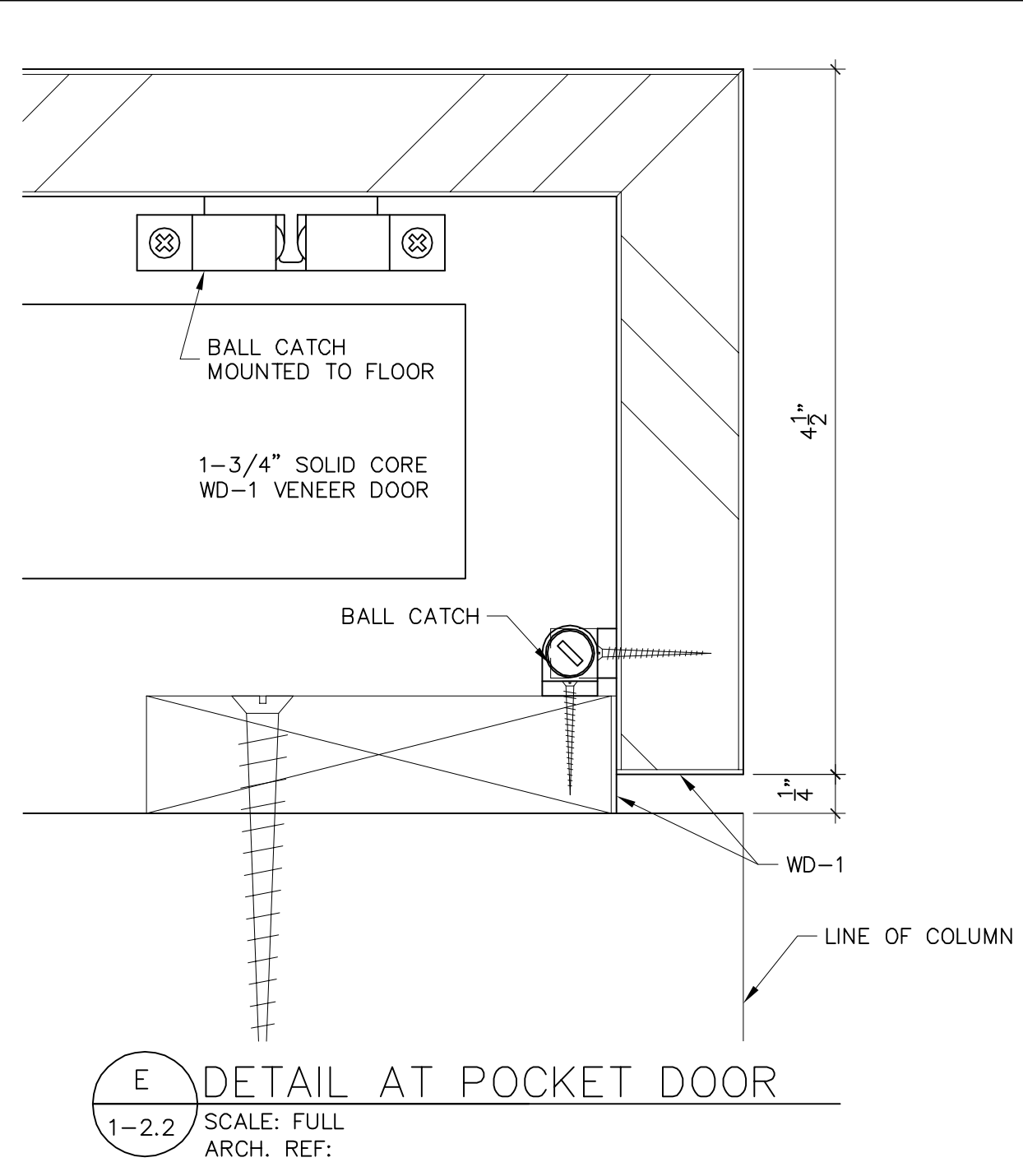
**B** DETAIL AT POCKET DOOR  
1-2.2 SCALE: FULL ARCH. REF:



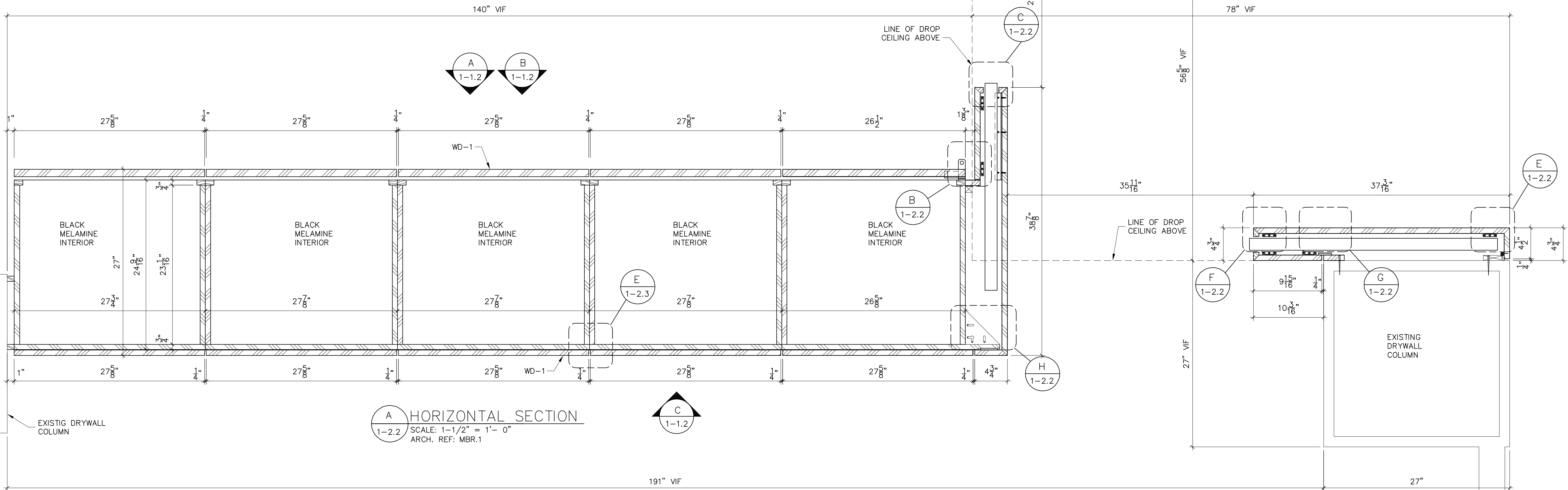
**C** DETAIL AT POCKET DOOR  
1-2.2 SCALE: FULL ARCH. REF:



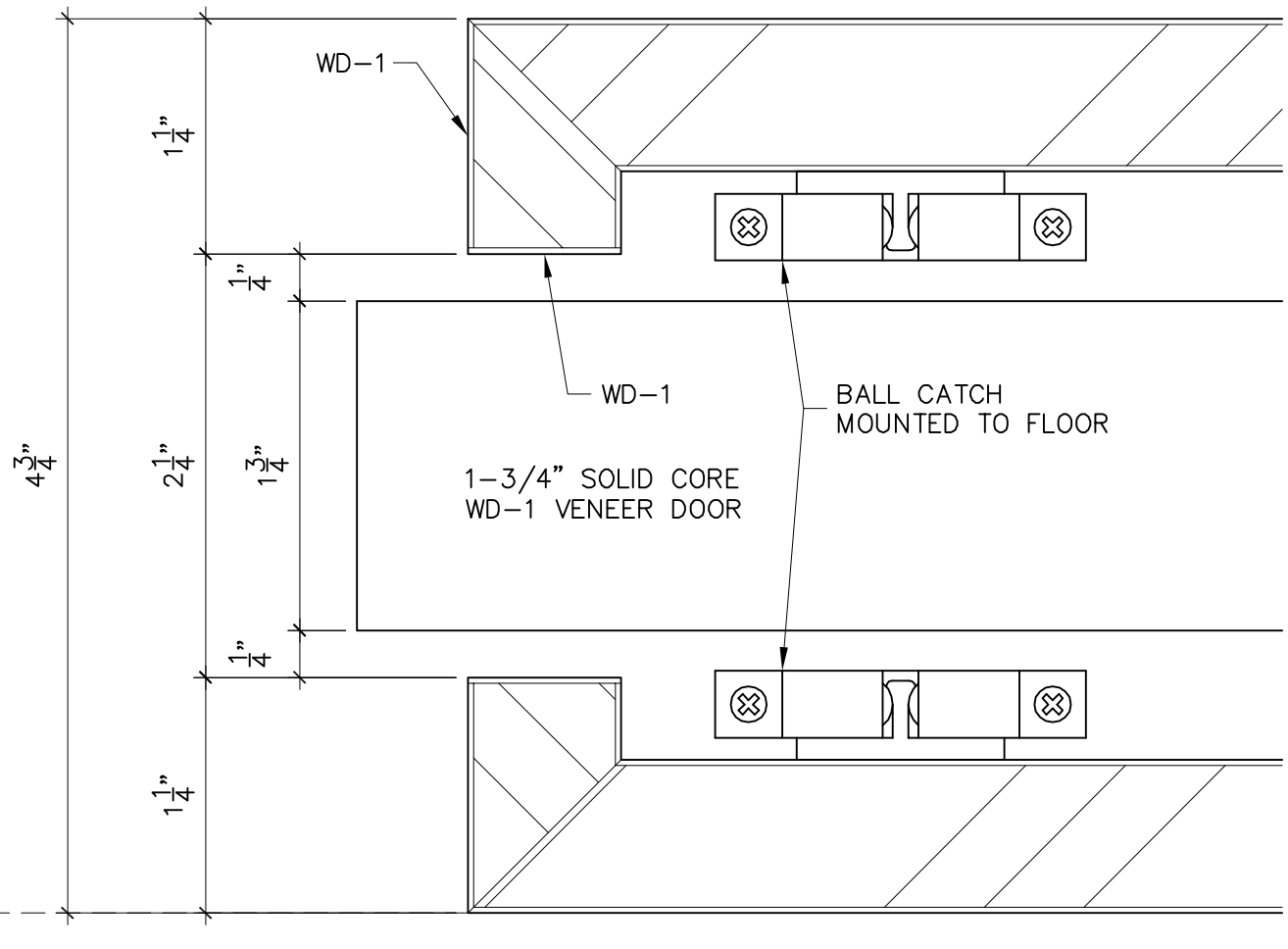
**D** JAMB DETAIL  
1-2.2 SCALE: FULL ARCH. REF:



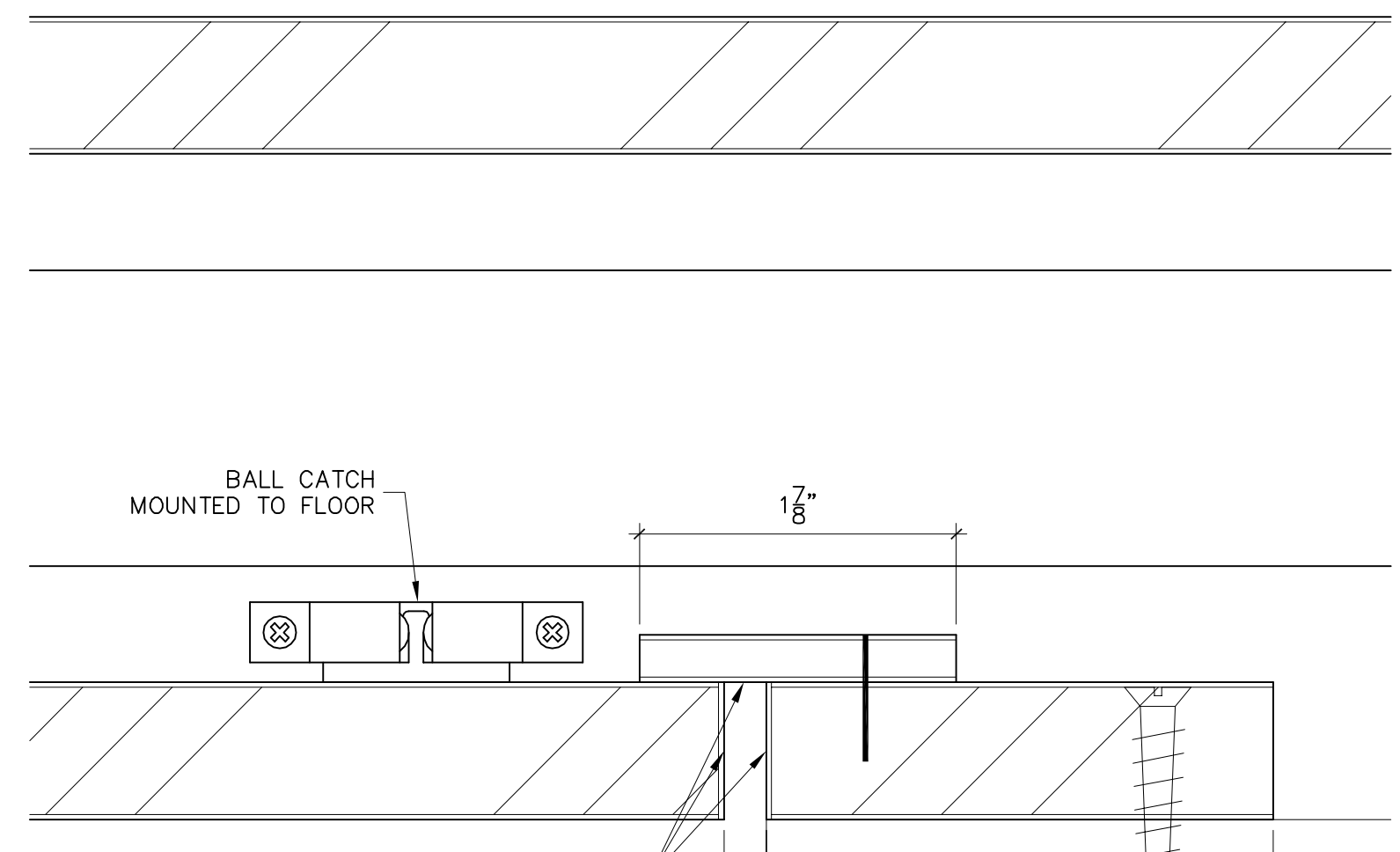
**E** DETAIL AT POCKET DOOR  
1-2.2 SCALE: FULL ARCH. REF:



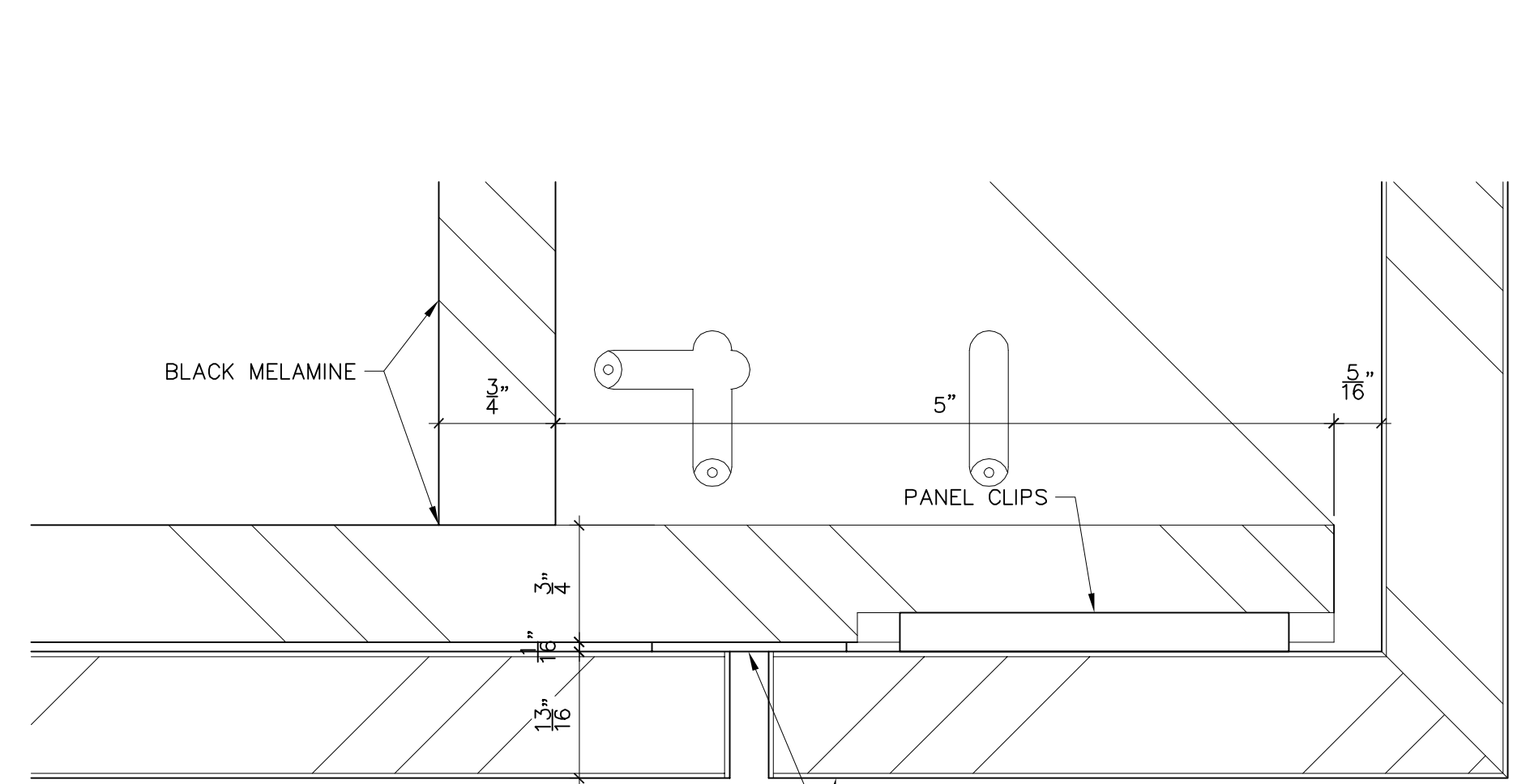
**A** HORIZONTAL SECTION  
1-2.2 SCALE: 1-1/2\"/>



**F** DETAIL AT POCKET DOOR  
1-2.2 SCALE: FULL ARCH. REF:



**G** DETAIL AT POCKET DOOR  
1-2.2 SCALE: FULL ARCH. REF:



**H** DETAIL AT POCKET DOOR  
1-2.2 SCALE: FULL ARCH. REF:

NOTES:

DOUBLE CHECK BY:	DATE:
FIELD LAYOUT BY:	DATE:
7.	
6.	
5.	
4.	
3.	
2.	
1.	
REVISIONS:	

JOB NAME:  
**PRIVATE RESIDENCE**  
HOUSTON, TX.

DRAWING NAME:  
**LIVING RM/BEDROOM**  
**SECTIONS & DETAILS**

DRAWN BY:	DRAWING DATE: 03/03/05
JOB NO.	DRAWING NO. 1-2.2





